



VALTORC公司成立于1929年，总部位于美国的佐治亚州，在70年的成长和发展过程中，VALTORC公司始终致力于控制阀和仪器仪表领域的研发、生产和销售，其独特的产品研发能力、稳定可靠的产品质量以及完善的售后服务为客户创造了巨大的价值，并为VALTORC赢得了良好的声誉。目前VALTORC公司的产品和网络已经覆盖全球，为全球用户提供优质的产品和完善的解决方案。

VALTORC的主要产品有仪表方面的各类气控、电控调节阀，气控、电控开关阀，如球阀、蝶阀、V型球阀、各种内衬阀以及集调节和开关于一体的各类专用阀门。



除采用普通材料外，VALTORC还可根据用户需要专门设计和生产特殊材质、特殊要求的阀门，如钛合金、镍合金、双相钢以及其他特殊合金的高品质阀门。

VALTORC研制开发的各类产品能广泛应用于石油、化工、天然气、冶金、电站及制药等各个工业领域。

VALTORC公司先进的企业管理理念和具有优秀素质的团队将保证我们的产品质量和产品交货时间满足广大客户的需求。

*Performance Not Promises*



VALTORC is Founded in 1929. In the 70 years, VALTORC has become the standard for excellence in the field of valve and damper automation for the oil, gas, power, water and waste treatment industries around the world. As established leaders in actuation technology, we owe our success to a commitment to quality at every stage, and at every level, of VALTORC operations.

VALTORC mainly engages in developing automatic control valve of high technology and quality and special materials. Its products include control valves and on-off valves in pneumatically or electrically driven mode, ball valves, butterfly valves, V-type ball valves, lining valves and other valves combining on-off and control.

Besides conventional valves, VALTORC can design and produce the valves of special material or requirements such as titanium alloy, nickel alloy, duplex steel and other special alloy.

Advanced business management concept and professional team ensure high quality of product, punctual delivery and satisfaction of users.

蝶阀	UM-820软密封蝶阀 .....	04
	UM-810F衬胶衬氟蝶阀 .....	06
	UM-920硬密封蝶阀 .....	08
球阀	UM-520法兰球阀 .....	10
	UM-510V型调节球阀 .....	12
	UM-320三片式球阀 .....	14
控制阀	UM - V5气动薄膜调节阀 .....	16
闸阀	UM-610气动电动闸板阀 .....	18
Butterfly Valve	Soft Sealed Butterfly Valve .....	04
	Lined Butterfly Valve .....	06
	Three Eccentric Butterfly Valve ..	08
Ball Valve	Flanged Ball Valve .....	10
	V-type Ball Valve .....	12
	Three Pieces Ball Valve .....	14
Control Valve	Diaphragm Control Valve .....	16
Gate Valve	Pneumatic/Electric Ball Valve .....	18

**产品特征:**

- 口径 DN50-1200
- 压力 PN10-PN16-ANSI CLASS125/150
- 适合法兰 PN10-PN16  
ANSI CLASS125/150
- 连接方式: 对夹、多孔对夹、法兰、单法兰、双法兰
- 阀体材料: 铝合金、球墨铸铁、不锈钢
- 阀板材料: 球铁尼龙覆层、球铁电镀、不锈钢、铝青铜
- 结构长度: ISO5752 EN558-1 API609 GB12221-89
- 阀门设计符合: GB12238标准
- 阀门测试根据 ISO 5208
  - 1) 紧密度:  $1.1 \times PN$
  - 2) 阀体耐冲击力:  $1.5 \times PN$
- 密封材料及工作温度:
- 三元乙丙橡胶 EPDM:  $-35 \sim +135^{\circ}C$
- 丁腈橡胶 NBR:  $-25 \sim +90^{\circ}C$
- 聚四氟乙烯 PTFE:  $-40 \sim +200^{\circ}C$
- 氟橡胶 FPM:  $-29 \sim +205^{\circ}C$

订货号 Order No.	尺寸 Size	阀体材质 Body material	阀板材质 Plated material	阀座 Valve seat	连接方式 Connection Style
UM-820	2"-48"	Ductile Iron	D-Iron coated nylon	EPDM/NBR	Wafer
UM-821	2"-48"	Ductile Iron	SS	EPDM/NBR	Wafer
UM-822	2"-48"	Ductile Iron	Ductile Iron	EPDM/NBR	Wafer
UM-823	2"-48"	Ductile Iron	Ductile Iron	EPDM/NBR	Wafer
UM-824	2"-48"	Ductile Iron	D-Iron coated nylon	PTFE	Wafer
UM-823	2"-48"	Ductile Iron	SS	PTFE	Flanged
UM-825	2"-48"	Ductile Iron	Ductile Iron	PTFE	Flanged
UM-826	2"-48"	Ductile Iron	Ductile Iron	PTFE	Flanged
UM-827	2"-48"	Aluminum Alloy	SS	EPDM/NBR	Flanged

Manual/worm gear: "W" ; Electric on-off: "J" ; Electric contact: "K" ;  
Electric intelligent: "Z" Pneumatic Double: "D" ; Pneumatic Single: "S" ;  
behind the "UM"

**Valve Specific Information:**

- Size: DN50-1200
- PN10-PN16-ANSI CLASS125/150
- VPN10-[M16 ANSI CLASS125/150
- Suitable flange: PN10-PN16
- VConnected style: Wafer, More hole-wafer,
- Flanged single-flanged, double-flanged
- Body material: Aluminum alloyed, Ductile iron
- Valve plate material: Ductile iron nylon coated, Ductile iron-zinc plated, Al bronze
- Construction ISO5752 EN558-1 AP1609 GB12221-89
- Design standard: GB12238
- Inspection standard: ISO 5208
- Inspection standard:
  - 1) Density  $1.1 \times PN$
  - 2) Body bearing pressure:  $1.5 \times PN$
- Seal material and working temperature
- EPDM:  $-35 \sim +135^{\circ}C$ ,
- NBR:  $-25 \sim +90^{\circ}C$ ,
- PTFE:  $-40 \sim +200^{\circ}C$ ,
- FPM:  $-29 \sim +205^{\circ}C$



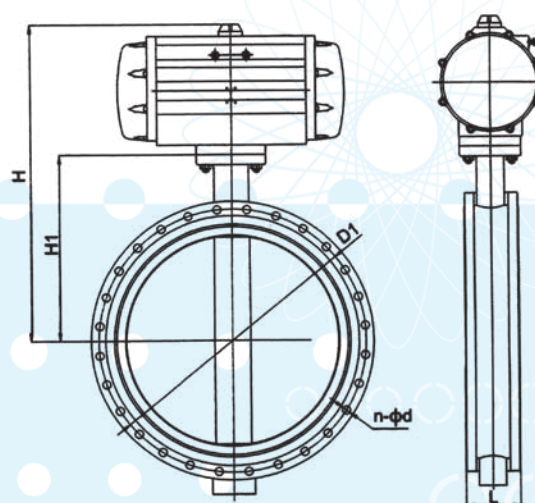
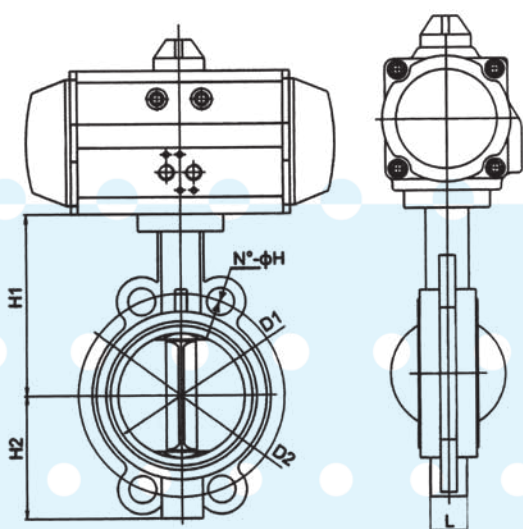
### Wafer

DL	尺寸 (mm) Size					
	L	D1	D2	H	H2	N°-φH
50	43	52.6		142	80	4×18
65	46	64.4	125	155	89	4×18
80	46	78.9	145	161	95	4×18
100	52	104.1	160	180	114	4×18
125	56	123.4	180	193	127	4×18
150	56	155.9	210	205	139	4×23
200	60	202.8	240	250	175	4×23
250	68	250.8	295	282	203	4×23
300	78	301.9	350	326	242	4×23
350	78	334	400	358	267	4×23
400	102/88	390	460	380	301	4×27
450	114/107	441	515	422	381	4×27
500	127	492	565	479	387	4×27
600	154	593	620	562	457	4×27
700	165	694	725	629	527	4×30
750	165	744	840	650	530	4×30
800	190	795	950	666	594	4×30
900	200	864	1050	722	653	4×30
1000	216	964	1160	800	718	4×33
1200	216	1160		941	844	4×36

### Flanged

DN	尺寸 (mm) Size				
	H	H1	L	D1	n-φD
40	218	113	93	110	4-φ19
50	246	124	108	125	4-φ20
65	258	134	112	145	4-φ20
80	276	141	114	160	8-φ22
100	303	156	127	180	8-φ20
125	355	168	140	210	8-φ20
150	371	184	140	240	8-φ23
200	412	205	152	295	8-φ23
250	461	235	165	350	12-φ23
300	550	280	178	400	12-φ23
350	638	368	190	460	16-φ23
400	692	397	216	515	16-φ27
500	778	430	229	620	20-φ27
600	880	500	267	725	20-φ31

如需订购其他尺寸，请来电咨询。  
If need other size valve, please contact us.



**产品特点:**

- 尺寸 DN50-600
- 工作压力 PN16、25、40  
ANSI CLASS125/150/300
- 连接法兰: JB/T74-90  
GB9113.19113.26ANSIB16.10
- 连接方式: 对夹、法兰、
- 阀体材料: 不锈钢、碳钢、
- 阀板材料: 不锈钢、碳钢
- 衬里材料: PTFE/EPDM/FEP/  
NBR/VITON etc
- 阀门设计符合: JB/T8527  
API609 GB121238
- 试验和检验: GB/T13927  
AP1598

订货号 Order No.	尺寸 Size	阀体材质 Body material	阀板材质 Plated material	阀座 Valve seat	连接方式 Connection Style
UM-810	2"-24"	Ductile Cast Iron	Ductile Iron Nylon	EPDM/NBR	Wafer
UM-811	2"-24"	Ductile Cast Iron	Stainless steel	EPDM/NBR	Wafer
UM-812	2"-24"	Ductile Cast Iron	Ductile Iron panel	EPDM/NBR	Wafer
UM-813	2"-24"	Ductile Cast Iron	Aluminum Bronze	EPDM/NBR	Wafer
UM-814	2"-24"	Ductile Cast Iron	Ductile Iron Nylon	PTFE	Wafer
UM-815	2"-24"	Ductile Cast Iron	Stainless steel	PTFE	Wafer
UM-816	2"-24"	Ductile Cast Iron	Ductile Iron panel	PTFE	Wafer
UM-817	2"-24"	Ductile Cast Iron	Aluminum Bronze	PTFE	Wafer
UM-818	2"-24"	Aluminum Alloy	Stainless steel	EPDM/NBR	Wafer

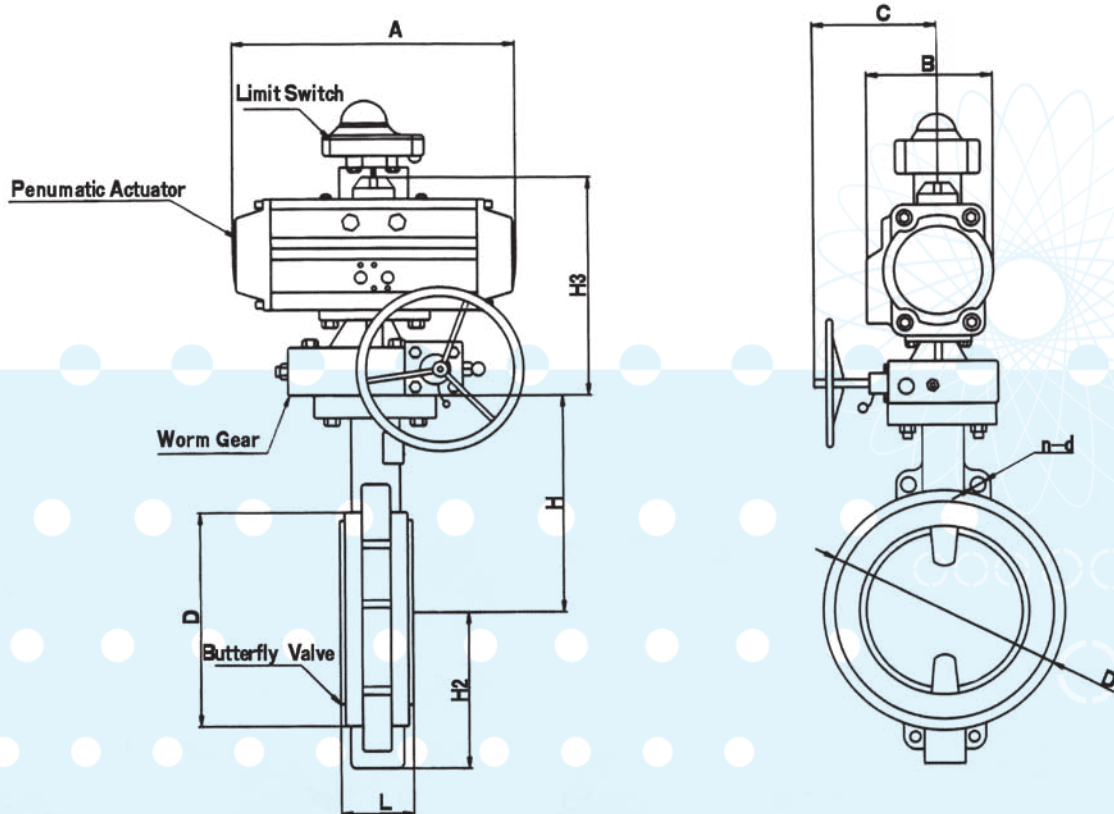
Manual/worm gear: "W" ; Electric on-off: "J" ; Electric contact: "K" ; Electric intelligent: "Z" Pneumatic Double: "D" ; Pneumatic Single: "S" ; behind the "UM"

**Valve Specific Information:**

- Size: DN50-600
- Working Pressure:PN16、25、40
- ANSI CLASS 125/150/300
- Connecting Flanged:JB/T74  
-90 GB9113.1-9113.26
- ANSIB16.10
- End connection:Wafer、Flanged
- Body Material:CF8/CF8M/  
Carbon Steel
- Disc Material:Stainless steel、  
Carbon steel
- Lined Material:PTFE/EPDM/FEP/NBR/VITON etc
- Designed standard:JB/T8527 API609  
GB121238
- Testing and Inspecting: GB/T13927  
AP1598



DN	L	H1	H2	H3		A	B	C	PNI.0MPa			PNI.6MPa			ANSI150		
				无手轮 without handwheel	带手轮 with hand-wheel				D	D1	n-d	D	D1	n-d	D	D1	n-d
DN50	43	140	78	300	382	290	117	190	98	125	4-18	98	125	4-18	98	120.5	4-18
				325	418	302	155	225									
DN65	46	152	83	325	418	302	155	225	116	145	4-18	116	145	4-18	116	139.5	4-18
				365	458	375	180	225									
DN80	46	159	92	335	428	302	155	225	127	160	8-18	127	160	8-18	127	152.5	8-18
				375	468	375	180	225									
DN100	52	178	106	335	428	302	155	225	154	180	8-18	154	180	8-18	154	190.5	8-18
				375	468	375	180	225									
DN125	56	190	123	440	548	432	210	233	186	210	8-18	186	210	8-18	186	216	8-18
				480	588	500	240	233									
DN150	56	203	136	460	568	432	210	233	212	240	8-22	212	240	8-22	212	241.5	8-22
				500	608	500	240	233									
DN200	60	238	165	500	608	500	240	233	265	295	8-22	265	295	8-22	265	298.5	8-22
				540	674	590	270	277									
DN250	68	268	198	500	608	500	240	233	332	350	12-12	332	355	12-26	332	362	12-26
				540	674	590	270	277									
DN300	78	306	229	540	674	590	270	277	376	400	12-12	376	410	12-26	376	432	12-26
				560	694	592	290	277									
DN350	78	330	275	540	674	590	270	277	422	460	16-12	422	470	16-26	422	476	12-26
				560	694	592	290	277									
DN400	102	360	320	540	674	590	270	277	480	515	16-26	480	525	16-30	480	540	16-30
				610	744	592	290	277									
DN450	114	390	340	610	744	592	290	277	538	565	20-26	538	585	20-30	538	578	20-30
				645	779	698	325	277									
DN500	127	430	362	610	744	592	290	277	590	620	20-26	590	650	20-33	590	635	20-33
				645	779	698	325	277									
DN600	154	470	380	645	779	698	325	277	680	725	20-30	680	770	20-36	680	749.5	20-36
				750	884	940	435	277									



**产品特点:**

- 口径 DN50-2000
- 压力 PN16、25、40-ANSI CLASS125/150/300
- 连接法兰: JB/T74-90 GB9113.1-9113.26 ANSIB16.10
- 连接方式: 法兰
- 阀体材料: 不锈钢、碳钢、
- 阀板材料: 不锈钢、碳钢
- 结构长度: ANSIB16.10 GB12221
- 阀门设计符合: JB/T8527 API609 GB121238
- 试验和检验: GB/T13927 AP1598

订货号 Order No.	尺寸 Size	阀体材质 Body material	阀板材质 Plated material	阀座 Valve seat	连接方式 Connection Style
UM-920	2"-80"	Carbon Steel	Carbon Steel	SS	Wafer
UM-921	2"-80"	Carbon Steel	Carbon Steel	SS	Wafer
UM-922	2"-80"	SS	SS	SS	Wafer

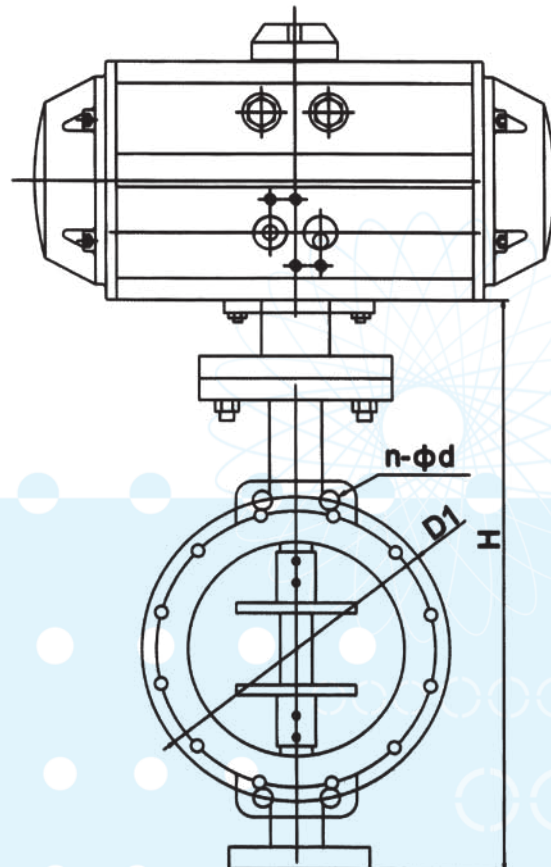
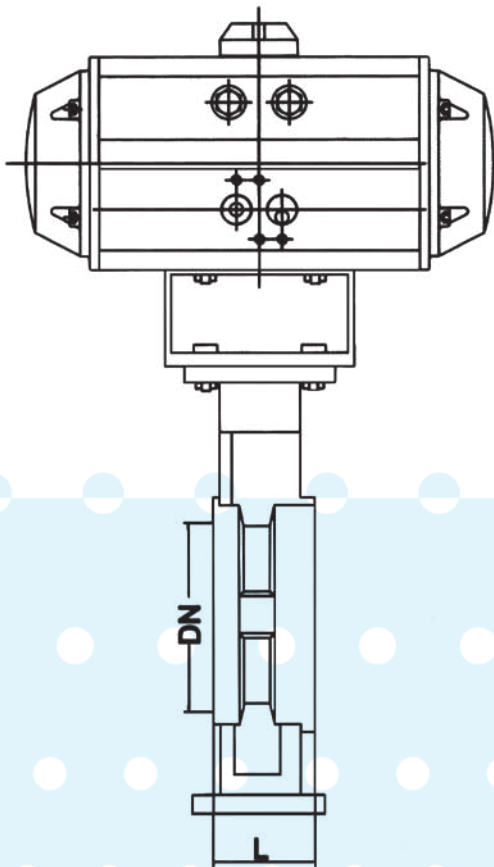
Manual/worm gear: "W" ; Electric on-off: "J" ; Electric contact: "K" ; Electric intelligent: "Z" Pneumatic Double: "D" ; Pneumatic Single: "S" ; behind the "UM"

**Valve Specific Information:**

- Size:DN50-DN2000
- Working Pressure:PN16 25 40 ANSI CLASS 125/150/300
- Connecting Flanged:JB/T74-90
- GB9113.1-9113.26 ANSIB16.10
- End connection:Flanged
- Body Material:CF8/CF8M/Carbon Steel
- Disc Material:Stainless steel、Carbon Steel
- Face to Face:ANSIB16.10 GB12221
- Designed standard:JB/T8527 AP1609 GB121238
- Testing and Inspecting:GB/T13927 AP1598



DN	主要尺寸 ( mm ) Size											
	尺寸Size		1.0MPa		1.6MPa		尺寸Size		2.5MPa		4.0MPa	
	L	H	D1	n-φd	D1	n-φd	L	H	D1	n-φd	D1	n-φd
50	108	245	125	4-18	125	4-18	108	245	125	4-18	125	4-18
65	112	285	145	4-18	145	4-18	112	265	145	8-18	145	8-18
80	114	350	160	4-18	160	8-18	114	350	160	8-18	160	8-18
100	127	380	180	4-18	180	8-18	127	380	190	8-22	190	8-22
125	140	410	210	8-22	210	8-18	140	410	220	8-26	220	8-26
150	140	490	240	8-22	240	8-22	140	490	250	8-26	250	8-26
200	152	560	295	12-22	295	12-22	152	560	310	8-26	320	12-30
250	165	620	350	12-22	355	12-26	165	620	370	12-30	385	12-33
300	178	573	400	16-22	410	16-26	178	653	430	16-30	450	16-33
350	190	620	460	16-26	470	16-26	190	730	490	16-33	510	16-36
400	218	695	515	20-26	525	16-30	216	910	550	16-36	585	16-39
450	222	745	565	20-26	585	20-30	222	850	600	20-36	610	20-39
500	229	820	620	20-30	650	20-33	229	940	660	20-36	670	20-42
600	267	975	725	20-30	770	20-36	267	1150	770	20-39	795	20-48
700	292	1015	840	20-30	840	24-36	292	1195	875	24-42		
800	318	1178	950	24-33	950	24-39	318	1268	660	24-48		
900	330	1320	1050	28-33	1050	28-39	330	1490	1090	28-48		
1000	410	1805	1160	28-36	1170	28-42	410	2010	1210	28-55		





**产品特征:**

- 尺寸: 通径1/2"~10"  
(DN15~DN250)
- ISO5211执行机构安装支架
- 防爆中轴, 防静电设置
- 阀体: WCB/CF8/CF8M
- 球体: SS316
- 阀杆: SS316
- 密封圈: PTFE
- 连接方式: 法兰
- 通过API607防火认证

**可安装:**

气动头/电动头  
电磁阀  
限位开关  
定位器  
气动三联件

定货号 Order No.	尺寸 Size	阀体材质 Body material	阀板材质 Plated material	阀座 Valve seat	连接方式 Connection Style
UM-520	1/2"~10"	Carbon steel	316	PTFE	Flanged
UM-521	1/2"~10"	304	316	PTFE	Flanged

Manual/worm gear: "W" ; Electric on-off: "J" ; Electric contact: "K" ; Electric intelligent: "Z" Pneumatic Double: "D" ; Pneumatic Single: "S" ; behind the "UM"

**Valve Specific Information:**

- Full Port 1/2"~10" (DN15~DN250)
- ISO 5211 ACTUATOR MOUNTING
- Blow Out-proof stem design
- Ball: Self-relief over pressure
- Body: WCB/CF8/CF8M
- Ball: SS316
- Stem: SS316
- Seat: PTFE

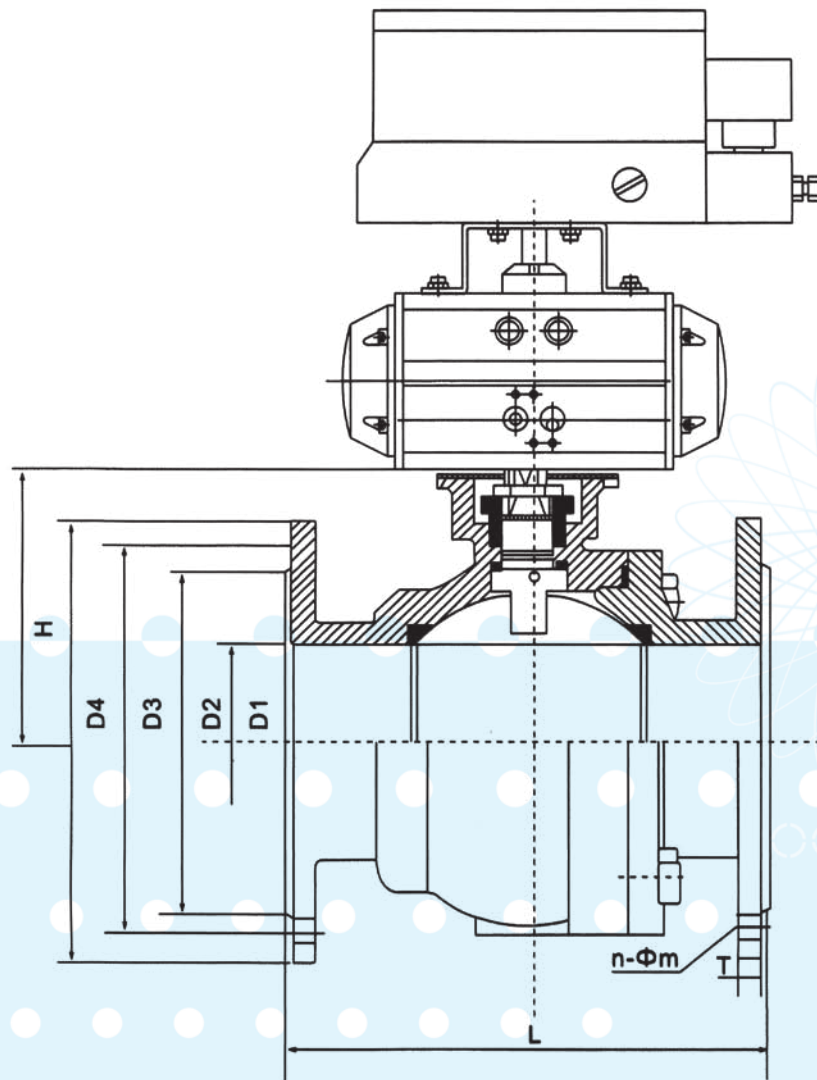
**Options:**

Certified to API 607 4th Edition  
Actuator  
Solenoid Valve  
Limit Switch  
Positioner  
F.R.L.r



## ANSI Standard

DN	150LB尺寸 (mm) Size							
	L	D1	D2	D3	D4	T	H	n-φm
15	108	15	35	60.5	89	9.7	48	4-16
20	117	20	43	70	98.6	10.5	53	4-16
25	127	25	51	79.2	108	11.2	58.5	4-16
32	140	32	63.5	88.9	117	12.7	71	4-16
40	165	38	73.5	98.6	127	14.2	76	4-16
50	178	50	92	120.7	152.5	15.9	81	4-19
65	190	64	104.7	139.7	177.8	17.5	101.5	4-19
80	203	76	127	152.4	190.5	19.1	111.5	4-19
100	229	100	157.2	190.5	228.6	23.9	140	8-19
125	356	125	186	216	254	24	193	8-22.3
150	394	150	216	241.3	279.4	25.4	204	8-22.3
200	457	200	270	298.5	342.9	28.5	252	8-22.3
250	533	250	324	362	406.4	30	310	12-25.4



**产品特征:**

- 对夹式通径: 1/2" ~ 10"  
(DN15~DN250)
- 法兰式通径: 1/2" ~ 10"  
(DN15~DN500)
- ISO5211执行机构安装支架
- 防爆中轴, 防静电设置
- 阀体: WCB/CF8/CF8M
- 球体: SS316
- 阀杆: SS316
- 密封圈: PTFE
- 连接方式: 法兰 对夹

**可安装:**

1. 气动头/电动头
2. 电磁阀
3. 限位开关
4. 定位器
5. 气动三联件

定货号 Order No.	尺寸 Size	阀体材质 Body material	阀板材质 Plated material	阀座 Valve seat	连接方式 Connection Style
UM-510	1/2"~10"	Carbon steel	316	PTFE	Flanged
UM-511	1/2"~10"	304	316	PTFE	Flanged

Manual/worm gear: "W" ; Electric on-off: "J" ; Electric contact: "K" ; Electric intelligent: "Z" Pneumatic Double: "D" ; Pneumatic Single: "S" ; behind the "UM"

**Valve Specific Information:**

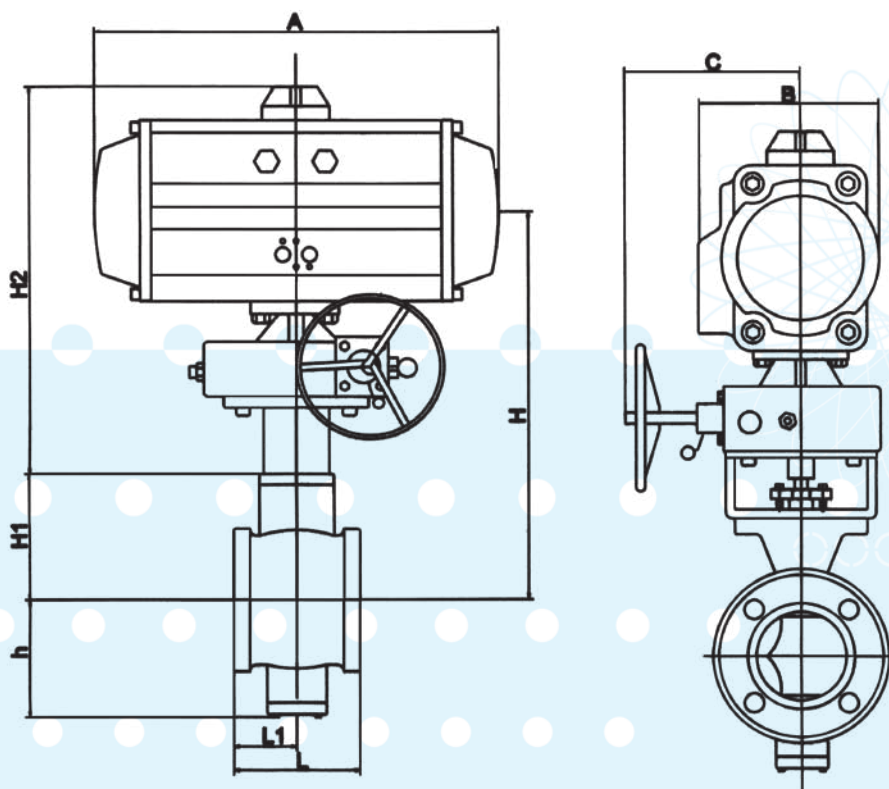
- Full Port 1/2"~10" (DN15~DN250)
- ISO 5211 ACTUATOR MOUNTING
- Blow Out-proof stem design
- Ball: V-type
- Body: WCB/CF8/CF8M
- Ball:SS316
- Stem:SS316
- Seat: PTFE

**Options:**

- 1.Actuator
- 2.Solenoid Valve
- 3.Limit Switch
- 4.Positioner
- 5.F.R.L.r



DN	L		L1		H1	h	H		H2		A	B	C
	PN1.6 ANSI150	PN1.6 ANSI150	H	h			Without handwheel	With handwheel	Without handwheel	With handwheel			
	PN4.0 ANSI300	PN4.0 ANSI300											
PN6.4 ANSI600	PN6.4 ANSI600												
DN25	102	57	126	64	174	252	310	392	290	117	190		
					183	280	335	428	302	155	225		
DN32	114	64	135	64	174	252	310	392	290	117	190		
					183	280	335	428	302	155	225		
DN40	114	64	135	75	183	280	335	428	302	155	225		
					186	279	375	468	375	180	225		
DN50	124	57	151	111	183	280	335	428	302	155	225		
					186	279	375	468	375	180	225		
DN65	165	87	130	117	186	279	375	468	375	180	225		
					263	371	460	568	432	210	233		
DN80	165	87	130	117	186	279	375	468	375	180	225		
					263	371	460	568	432	210	233		
DN100	194	92	141	133	263	371	460	568	432	210	233		
					290	398	500	608	500	240	233		
DN125	256	109	164	151	290	398	500	608	500	240	233		
					420	544	590	724	590	270	277		
DN150	229	119	164	151	420	544	590	724	590	270	277		
					420	544	590	724	590	270	277		
DN200	243	119	232	184	420	544	590	724	590	270	277		
					490	624	610	744	592	290	277		
DN250	297	151	260	220	514	648	595	729	698	325	277		
					615	749	750	884	940	435	277		
DN300	338	174	302	292	514	648	595	729	698	325	277		
					615	749	750	884	940	435	277		



**产品特征:**

- 尺寸: 1/4"~4" (DN8~DN80)
- 防爆中轴, 防静电设置
- 外壳厚度: ANSI B16.34 Class 300
- 阀体: CF8/CF8M
- 球体: SS316
- 阀杆: SS316
- 密封圈: PTFE
- 工作压力: 1/4"~2" 1000psi  
2"~1/2"~3" 800psi
- 温度范围: -20 to 450 °C

**可安装:**

- 气动头/电动头
- 电磁阀
- 限位开关
- 定位器

**Connection: Flanged:**

定货号 Order No.	尺寸 Size	阀体材质 Body material	阀板材质 Plated material	阀座 Valve seat	连接方式 Connection Style
UM-320	1/4"~4"	304	316	PTFE	NPT
UM-321	1/4"~4"	316	316	PTFE	NPT

Manual/worm gear: "W" ; Electric on-off: "J" ; Electric contact: "K" ; Electric intelligent: "Z" Pneumatic Double: "D" ; Pneumatic Single: "S" ; behind the "UM"

**Valve Specific Information:**

- Full Port 1/4"~4" (DN8~DN80)
- Blow Out-proof stem, Anti-static design
- Shell Wall Thickness: ANSI B16.34 Class 300
- Body: CF8/CF8M
- Ball: SS316
- Stem: SS316
- Seat: PTFE
- End Connections: Threaded End
- Working Pressure:  
● 1/4"~2" 1000psi  
● 2"~3" 800psi
- Temperature range: -20 to 450°C

**Options:**

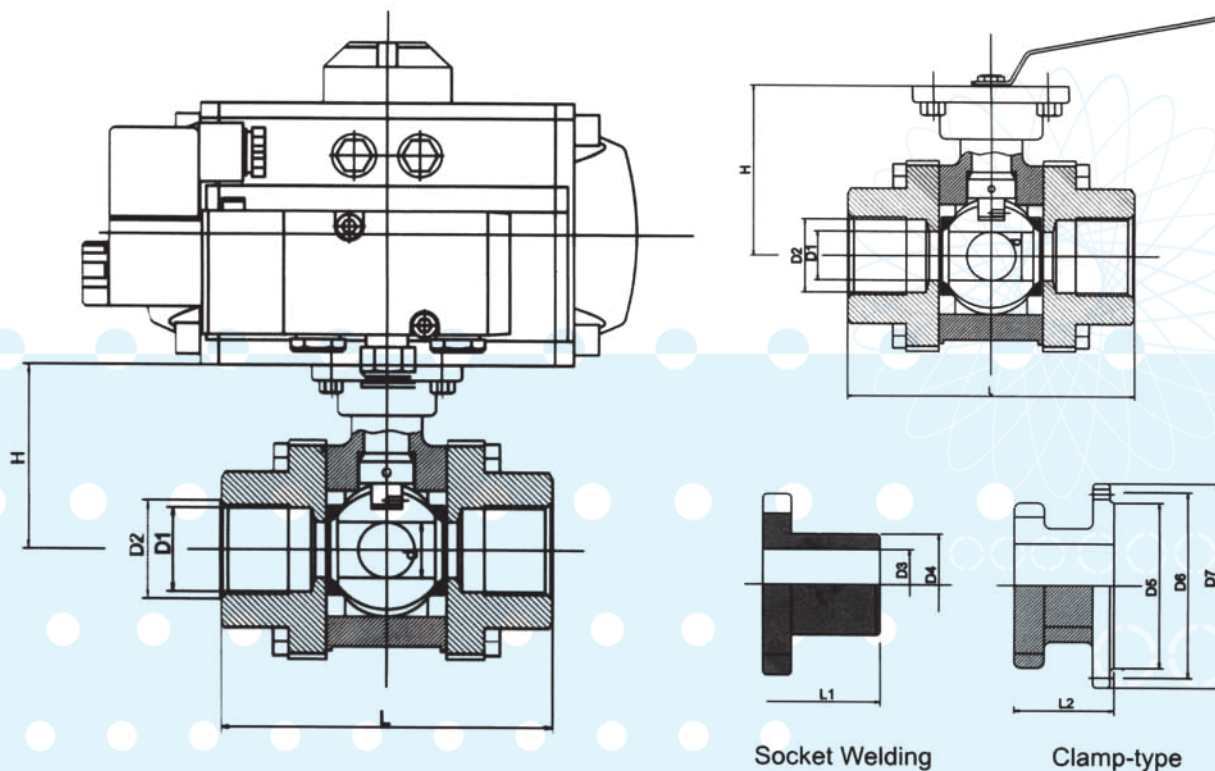
Actuator  
Solenoid Valve  
Limit Switch  
Positioner



JIS Standard:

DN	Size (mm)										
	L	L1	L2	D1	D2	D3	D4	D5	D6	D7	H
8	75	70	*	10.6	14.2	10.6	18	*	*	*	42
10	75	70	*	12.7	17.8	12.7	18	*	*	*	42
15	75	75	130	15	21.8	15.8	22	45	65	95	42
20	80	90	150	20	27.3	20.9	28	58	75	105	49
25	90	100	160	25	34	26.7	34	68	85	115	58.5
32	110	110	180	32	42.8	35.1	43	78	100	140	63
40	120	125	200	38	48.9	40.9	50	88	110	150	71
50	140	150	230	50	61.4	52.5	61	102	125	165	78
65	185	190	290	63.5	74	62.7	76	122	145	185	100
80	205	220	310	76	90	78	92	138	160	200	109
100	240	270	350	100	115.4	102.4	115	162	190	235	140

If need manual valve, Please contact us .



**产品特征:**

- 尺寸 DN15~200
- 工作压力 PN16、40、63  
ANSI CLASS150/300/600
- 连接法兰: JB/T74~86.2 GB/T9112  
~9124 ANSI B16.1 B16.5 B16.24
- 连接方式: 法兰
- 阀体材料: WCB/CF8/CF8M
- 阀芯材料: SS316 SS316L
- 密封材料: PTFE 特殊高温材料
- 填料: PTFE 柔性石墨
- 垫片: 不锈钢石墨缠绕、强化聚四氟乙烯、软金属
- 可配附件: 手动涡轮、防爆回讯器、限位开关、定位器

定货号 Order No.	尺寸 Size	阀体材质 Body material	阀板材质 Plated material	填料 Packing	连接方式 Connection Style
UM-50	1/2"~8"	WCB	SS316	PTFE /Flexible Graphite	Flanged
UM-51	1/2"~8"	CF8	SS316	PTFE /Flexible Graphite	Flanged
UM-52	1/2"~8"	CF8	SS316L	PTFE /Flexible Graphite	Flanged
UM-53	1/2"~8"	CF8M	SS316L	PTFE /Flexible Graphite	Flanged

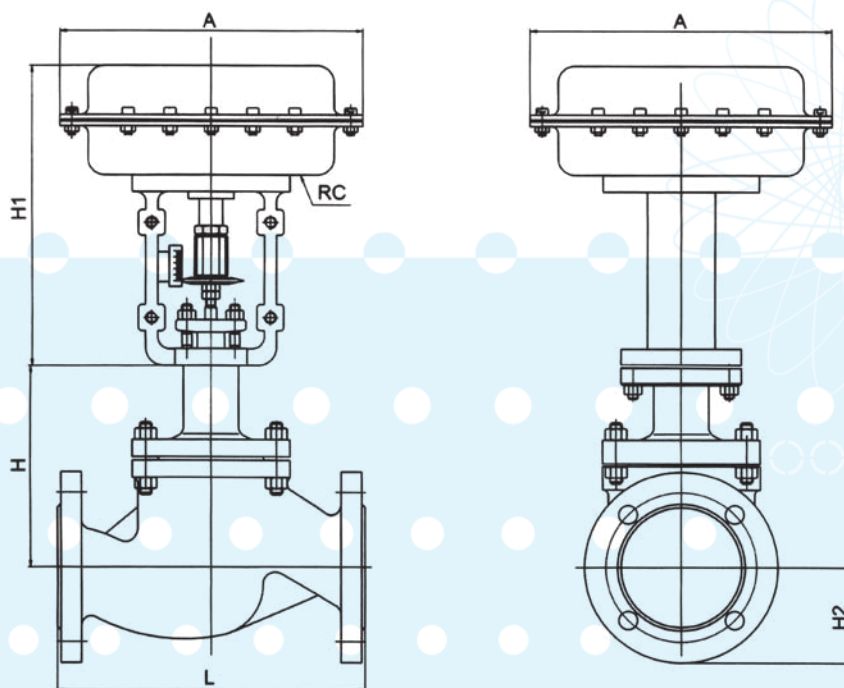
Manual/worm gear: "W" ; Electric on-off: "J" ; Electric contact: "K" ; Electric intelligent: "Z" Pneumatic Double: "D" ; Pneumatic Single: "S" ; behind the "UM"

**Valve Specific Information:**

- Size:DN50-DN2000  
Working Pressure:PN16、25、40
- ANSI CLASS 125/150/300
- Connecting Flanged:JB/T74-90
- GB9113.1-9113.26 ANSIB16.10
- End connection:Flanged
- Body Material:CF8/CF8M/Carbon Steel
- Disc Material:Stainless steel、Carbon Steel
- Face to Face:ANSIB16.10 GB12221
- Designed standard:JB/T8527 AP1609  
GB121238
- Testing and Inspecting:GB/T13927  
AP1598



DN	L			H		H1	H2			A
	PN1.6 ANSI 150 JIS 10K	PN4.0 ANSI 300 JIS 30K	PN6.3 ANSI 600 JIS 40K	普通型 Normal type	波纹管 Bellows type		PN1.6 ANSI 150 JIS 10K	PN4.0 ANSI 300 JIS 30K	PN6.3 ANSI 600 JIS 40K	
DN15	184	194	206	157	307	405	62	62	65	245
						435				300
DN20	184	194	206	157	307	405	62	62	65	245
						435				300
DN25	184	197	210	157	307	435	62	62	70	300
						457				370
DN32	200	210	210	186	336	435	70	70	78	300
						475				370
DN40	222	235	251	186	336	435	75	75	85	300
						475				370
DN50	254	367	289	186	336	475	83	83	90	370
						625				476
DN65	276	292	311	253	403	475	98	108	108	370
						625				476
DN80	298	317	337	252	402	475	108	113	113	370
						625				476
DN100	352	368	394	256	406	625	115	128	128	476
						678				626
DN125	403	425	460	255	555	625	138	158	158	476
						678				626
DN150	451	473	508	257	557	525	166	172	183	476
						678				626
DN200	543	568	610	247	547	625	202	210	210	476
						678				626





**产品特征:**

- 可提升的闸板密封面, 可刮除密封面的粘着物, 自动清除杂物。
- 整体的不锈钢材质, 可防止腐蚀破坏。
- 短结构长度, 可节省原料、安装空间, 也有效支持管道强度。
- 科学的上密封填料函设计, 使上密封安全有效, 经久耐用。
- 三角形的支架节省原材料, 保证需要的力学性能。
- 阀体加强筋设计提高阀体强度。
- 不锈钢阀杆经久耐用, 双头螺使用启闭更为迅速

**产品标准:**

设计制造标准: JB/T8691; MSS SP-81  
 结构长度标准: GB/T15188.2; MSS SP-81  
 法兰连接标准: GB/9113; ANSI B16.5  
 检验试验标准: GB/T13927; API 598。

**Valve of information:**

- Elevate the seal side, eliminate substances attached on the seal side.
- Satinless steel body of corrosion resistance
- Short structure length design saves material and mounting space, and strengthens the tube
- The scientific design of upper seal stuffing box makes the seal safe and durable in use.
- Triangular bracket design saves material and provides mechanical function in need.
- Stiffener strengthens the valve body durable.
- Stainless steel rod, swifter opening and closing by using studs.

**Standards:**

Manufacturing Standard  
 structure Length Standards  
 Flange Connection Standards  
 Test & Inspection Standards



DN	PN	PN0.6	
		通孔 (M x L x N) through hole	盲孔 (M x L x N) Blind hole
60		M12 x 110 x 2	M12 x 45 x 4
65		M12 x 110 x 2	M12 x 45 x 4
80		M16 x 125 x 2	M16 x 125 x 2
100		M16 x 130 x 2	M16 x 130 x 2
125		M16 x 140 x 6	M16 x 140 x 6
150		M16 x 140 x 6	M16 x 140 x 6
200		M16 x 150 x 6	M16 x 150 x 6
250		M16 x 160 x 8	M16 x 160 x 8
300		M20 x 180 x 8	M20 x 180 x 8
350		M20 x 180 x 8	M20 x 180 x 8
400		M20 x 210 x 10	M20 x 210 x 10
450		M20 x 225 x 10	M20 x 225 x 10
500		M20 x 240 x 10	M20 x 240 x 10
600		M22 x 270 x 14	M22 x 270 x 14
700		M22 x 290 x 14	M22 x 290 x 14
800		M27 x 325 x 14	M27 x 325 x 14
900		M27 x 340 x 14	M27 x 340 x 14
1000		M27 x 360 x 16	M27 x 360 x 16
2000		M30 x 410 x 18	M30 x 410 x 18

DN	PN	PN0.6	
		通孔 (M x L x N) through hole	盲孔 (M x L x N) Blind hole
60		M16 x 125 x 2	M16 x 50 x 4
65		M16 x 125 x 2	M16 x 50 x 4
80		M16 x 130 x 2	M16 x 55 x 4
100		M16 x 140 x 6	M16 x 55 x 4
125		M16 x 150 x 6	M16 x 60 x 4
150		M20 x 155 x 6	M20 x 60 x 4
200		M20 x 160 x 6	M20 x 65 x 4
250		M20 x 175 x 8	M20 x 65 x 8
300		M20 x 185 x 8	M20 x 65 x 8
350		M20 x 190 x 10	M20 x 70 x 12
400		M22 x 220 x 10	M22 x 70 x 12
450		M20 x 235 x 12	M22 x 70 x 16
500		M22 x 250 x 12	M22 x 80 x 16
600		M27 x 295 x 12	M27 x 85 x 16
700		M27 x 315 x 14	M27 x 95 x 20
800		M30 x 350 x 14	M30 x 100 x 20
900		M30 x 370 x 16	M30 x 105 x 24
1000		M30 x 390 x 16	M30 x 110 x 24
2000		M36 x 450 x 18	M36 x 125 x 28

DN	PN	PN0.6	
		通孔 (M x L x N) through hole	盲孔 (M x L x N) Blind hole
50		M16 x 125 x 2	M16 x 50 x 4
65		M16 x 125 x 2	M16 x 50 x 4
80		M16 x 125 x 6	M16 x 50 x 4
100		M16 x 140 x 6	M16 x 55 x 4
125		M16 x 145 x 6	M16 x 55 x 4
150		M20 x 155 x 6	M20 x 60 x 4
200		M20 x 160 x 6	M20 x 60 x 8
250		M20 x 175 x 8	M22 x 65 x 8
300		M20 x 190 x 8	M22 x 70 x 8
350		M20 x 190 x 10	M22 x 70 x 12
400		M27 x 230 x 10	M27 x 75 x 12
450		M27 x 250 x 12	M27 x 85 x 16
500		M30 x 270 x 12	M30 x 85 x 16
600		M36 x 310 x 12	M36 x 95 x 16
700		M36 x 325 x 14	M36 x 100 x 20
800		M36 x 355 x 14	M36 x 105 x 20
900		M36 x 375 x 16	M36 x 110 x 24
1000		M42 x 400 x 16	M42 x 115 x 24
1200		M48 x 460 x 18	M48 x 130 x 28

DN	L	D	D1	D2	H	N-M	D0
50	43	160	125	100	320	4-M16	180
65	43	180	145	120	340	4-M16	180
80	46	195	160	135	380	4-M16	220
100	52	215	180	155	430	8-M16	220
125	56	245	210	185	500	8-M16	230
150	56	280	240	210	600	8-M20	280
200	60	335	295	265	720	8-M20	360
250	68	3690	350	320	840	12-M20	360
300	78	440	400	368	960	12-M20	400
350	78	500	460	428	1120	16-M20	400
400	102	565	515	482	1250	16-M22	400
450	114	615	565	532	1680	20-M22	530
500	127	670	620	585	1540	20-M22	530
600	154	780	725	685	1800	20-M27	600

