


Masoneilan® 41005 Series Control Valves

Specification Data

CH3000

03/02



**Complete Line of
Heavy Duty,
Balanced, Cage Guided,
Globe Valves
with Lo-dB® and
Anti-Cavitation
Capabilities**

DRESSER

Flow Control

Table of Contents

Features	2
Numbering System	3
General Data	4
Ratings/Connections	4
Seal Type versus Temperature Range/Seat Leakage	5
Flow Direction	5
C_v and F_L versus Travel	6
Body S/A Construction	10
Materials of Construction	11
Trim Types	15
Dimensions	16
Weights	23
Accessories and Options	25
Sales Offices and Distribution Centers	Back Cover

Features

High Performance Design

Masoneilan's 41005 Series heavy-duty globe control valves are engineered to handle the most demanding process conditions and exceeds the capabilities of comparable designs. The balanced cage-guided construction of the 41005 Series provides some key advantages versus typical unbalanced and/or contoured plug type designs:

- Higher Flow Capacities
- Higher Pressure Drop Capabilities
- Tighter Shut-Off Ratings
- Reduced Actuator Size and Thrust Requirements
- Improved Stability with Larger Guide Areas
- Increased Low Noise and Anti-Cavitation Trim Options

Wide Application Range

Masoneilan's 41005 Series control valves provide high flow capacities combined with low pressure recoveries as reflected by the high F_L factors. This product line also provides efficient and dependable performance over a wide range of pressures and temperatures typical in critical service applications.

Maximum Reliability

Specification and selection of the best solution for any application is simplified with the standard design options and materials available in the 41005 Series. Standard product construction and material combinations are based on over 30 years of successful field experience in various process industries.

Various Seal Options

The 41005 Series is available with a variety of seal designs and materials to meet a wide combination of temperature and shut-off requirements.

Versatile Trim Solutions

Various noise attenuation, anti-cavitation, and tight shut-off solutions are available within the standard 41005 product envelope. This includes the following trim options:

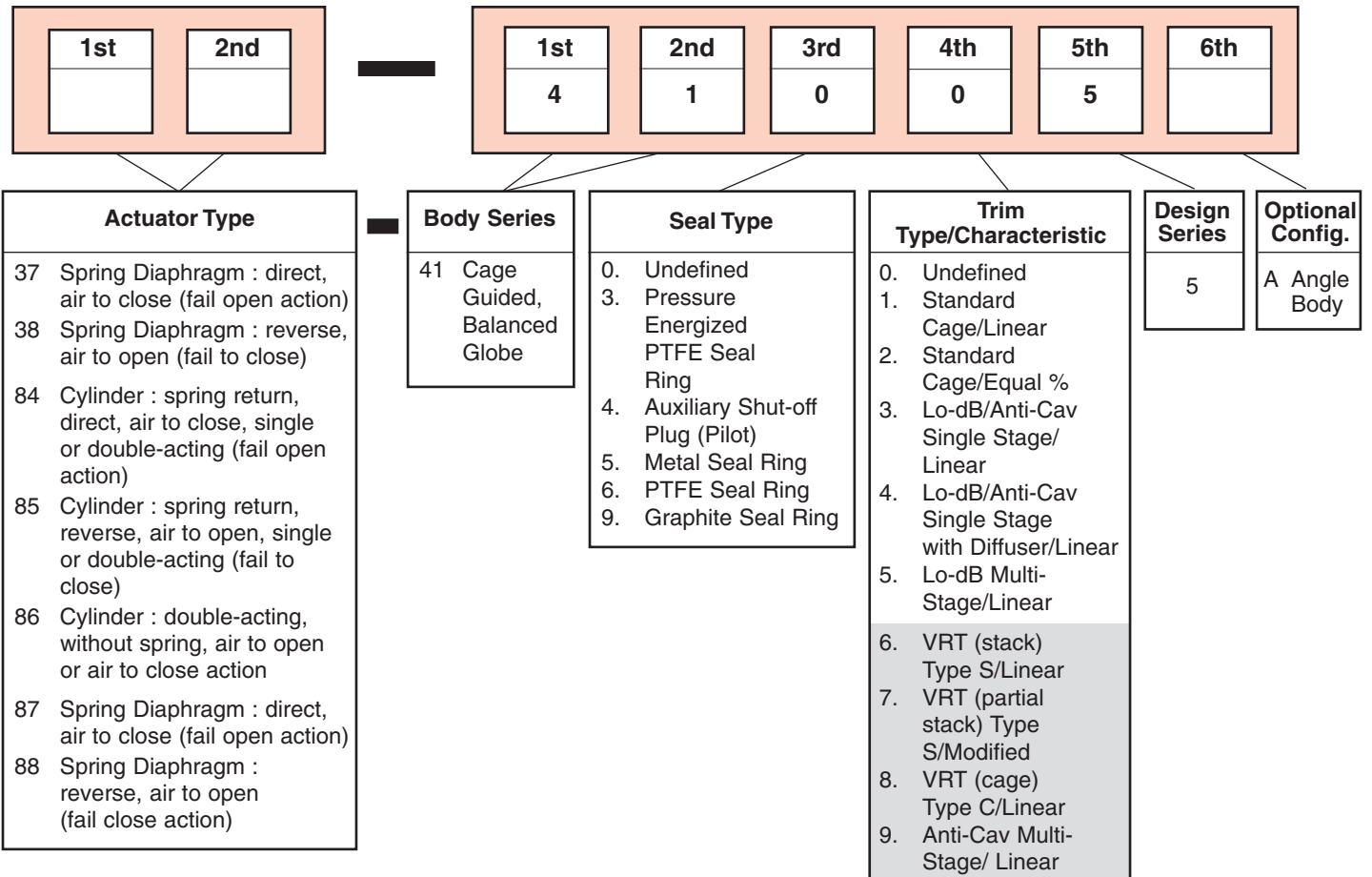
- **Single Stage Trim** – Provides excellent low noise performance on either gas or steam applications. Also provides an effective anti-cavitation solution for liquid services.
- **Multi-Stage Trim** – Provides highly effective low noise and anti-cavitation solutions for high-pressure ratio applications.
- **Pilot Balanced Trim** – Provides unmatched tight shut-off performance for high temperature applications.
- **Internal Diffuser** – Provides additional low noise and anti-cavitation benefits in flow-to-close (FTC) applications.
- **Engineered Solutions** – Special trim designs can also be provided for applications not covered by the standard trim noted above.

NACE Compliance

The 41005 Series is available for sour service applications using design and construction methods in accordance with NACE Standard MR0175.

Trade names noted throughout are for reference only. Masoneilan reserves the right to supply trade named material or its equivalent.

Numbering System



General Data

Standard Valve (41305, 41405, 41505, 41605 and 41905)

• Body

type: high-capacity globe or angle
 flow direction: see Flow Direction Table
 Lo-dB trim: flow to open for gas or steam
 Lo-dB trim
 with diffuser: flow to close for gas or steam
 anti-cavitation trim: flow to close
 C_v ratio: 100:1 standard capacity trim
 50:1 Lo-dB and reduced capacity trim

• Bonnet

type: stud bolted extension

• Trim

cage: cylindrical ported or Lo-dB
 plug: pressure balanced cage guided with various seal ring options; pressure balanced cage guided, with spring loaded internal auxiliary tight shut-off plug

• Standard Flow Characteristics

standard trim: linear, equal percentage
 Lo-dB trim: linear
 Lo-dB trim
 with diffuser: linear
 anti-cavitation trim: linear

Lo-dB® Multi-Stage Valve (41355, 41555, 41655, 41955)

flow direction: flow to open
 gas or steam only
 C_v ratio: 50:1

• Trim

cage: multi-stage Lo-dB
 plug: pressure balanced cage guided with various seal ring options

• Standard Flow Characteristic

standard trim: linear

Actuator

type: spring diaphragm
 spring-return cylinder
 double-acting cylinder

handwheel: optional

Ratings/Connections

○ Threaded • Socket Weld ■ Butt Weld □ RF & RTJ

Valve Size		ANSI Class 150 to 1500 and equivalent PN				ANSI Class 2500 and equivalent PN		
inch	mm	■	•	□	○	■	•	□
2	50	■	•	□	○	■	•	□
3 to 8	80 to 200	■		□		■		□
10 to 16	250 to 400	■		□				
3x2	80x50	■		□		■		□
4x2	100x50	■		□		■		□
4x3	100x80	■		□				
6x3	150x80	■		□				
6x4	150x100	■		□				
8x4	200x100	■		□				
8x6	200x150	■		□				
10x6	250x150	■		□				
10x8	250x200	■		□				
12x8	300x200	■		□				
16x12	400x300	■		□				
14,18,20,24	350,450,500,600							

Notes: 1. Angle Body Version is available in valve sizes 2" - 6" with ANSI ratings from Class 150 to Class 1500 and standard raised face end connections.

2. Ex. 3x2 size = valve with 3" body x standard 2" trim.

3. Consult Masoneilan for AFNOR and DIN connections.

■ = ANSI Class 2500 Ratings and 14", 18", 20" and 24" sizes are available. Engineered trim options are also available for high temperature and high pressure drop applications, including Multi-Stage Anti-Cavitation Trim. Please consult factory for details.

Seal Type versus Temperature Range/Seat Leakage

Valve Model	Seal Type	Valve Size		Temperature Range ⁽¹⁾		Seat Leakage per IEC 534-4 and ANSI / FCI 70.2 Class
		inches	mm	Minimum	Maximum	
41305	Pressure Energized PTFE Seal Ring	2 - 16	50 - 400	-50°F (-46°C)	+450°F (+232°C)	IV (standard) V (optional)
41405	Auxiliary Pilot Plug with Metal Seal Ring	2 - 4	50 - 100	-320°F (-196°C)	+850°F (+454°C) ⁽²⁾	IV (standard) V (optional)
		6 - 16	150 - 400	-320°F (-196°C)	+1050°F (+566°C)	
41505	Metal Seal Ring	2 - 4	50 - 100	-320°F (-196°C)	+850°F (+454°C) ⁽²⁾	II
		6 - 16	150 - 400	-320°F (-196°C)	+1050°F (+566°C)	III
41605	PTFE Seal Ring	2 - 16	50 - 400	-20°F (-29°C)	+300°F (+149°C)	IV
41905	Graphite Seal Ring	2 - 4	50 - 100	-320°F (-196°C)	+850°F (+454°C)	III
		6 - 16	150 - 400	-320°F (-196°C)	+850°F (+454°C)	IV

Notes: 1. See Materials of Construction Tables for other temperature limitations
 2. Maximum temperature limit for the 2" (50mm) size is +1050°F (+566°C).

Flow Direction

Model Number	41305	41405 ⁽¹⁾	41505	41605	41905
Seal Type	Pressure Energized PTFE Seal Ring	Auxiliary Pilot Plug with Metal Seal Ring	Metal Seal Ring	PTFE Seal Ring	Graphite Seal Ring
Standard Trim 41015/41025	41315/41325 FTO or FTC ⁽²⁾	41415/41425 FTC	41515/41525 FTO or FTC	41615/41625 FTO or FTC	41915/41925 FTO or FTC
Lo-dB Single Stage 41035	41335 FTO	41435 FTC	41535 FTO	41635 FTO	41935 FTO
Anti-Cavitation Single Stage 41035	41335 FTC	41435 FTC	41535 FTC	41635 FTC	41935 FTC
Lo-dB & Anti-Cavitation Single Stage with Internal Diffuser ⁽³⁾ 41045	41345 FTC	41445 FTC	41545 FTC	41645 FTC	41945 FTC
Lo-dB Multi-Stage 41055	41355 FTO	N/A	41555 FTO	41655 FTO	41955 FTO

Notes: 1. Flow direction for Pilot Plug Seal configuration is always FTC.
 2. Seal ring must be installed in correct orientation relative to high pressure direction.
 3. Flow direction with Internal Diffuser is always FTC.

C_v and F_L versus Travel

Standard Trim

Models 41315, 41415, 41515, 41615 and 41915

Flow Characteristic : **LINEAR**

Percent of Travel							10	20	30	40	50	60	70	80	90	100
F _L							0.94	0.94	0.93	0.93	0.92	0.92	0.91	0.91	0.90	0.90
Valve Size		ANSI Class and equivalent PN	Orifice Diameter		Travel		Rated C _v									
inches	mm		inches	mm	inches	mm										
2	50	900 - 1500	1.84	46.7	0.8	20.3	1.4	2.7	4.2	6	8	10	12.5	14	15.5	16
							2	4.9	8.3	13	19	25	30	35	38	40
2	50	150 - 600	2.50	63.5	1.5	38.1	2.7	5.1	7.9	11	15	19	23	26	29	30
3x2	80x50	150-1500					4	9	15	24	35	47	57	65	71	75
3	80	150 - 1500	3.50	88.9	2.0	50.8	5	10	16	22	30	38	46	52	58	60
4x3	100x80						6x3	150x80	8	19	31	50	73	96	118	135
4	100	150 - 1500	4.38	111.3	2.0	50.8	9	16	25	35	48	60	72	83	91	95
6x4	150x100						8x4	200x100	12	29	48	77	113	149	182	209
6	150	150 - 1500	5.12	130.0	0.8 ⁽¹⁾	20.3 ⁽¹⁾	7	15	28	41	58	74	94	117	144	165
8x6	200x150				2.0	50.8	20	52	92	148	204	260	308	348	376	400
8	200	150 - 1500	6.50	165.1	1.5	38.1	17	37	71	104	145	187	237	295	361	415
10x8	250x200				2.5	63.5	32	83	147	237	326	416	493	557	602	640
10	250	150 - 1500	8.00	203.2	1.5	38.1	20	46	87	128	179	230	291	362	444	510
					3.0	76.2	50	130	230	370	510	650	770	870	940	1000
12	300	150 - 1500	9.75	247.7	2.0	50.8	31	69	131	193	270	347	439	547	670	770
16x12	400x300				3.75	95.25	70	182	322	518	714	910	1078	1218	1316	1400
16	400	150 - 1500	13.00	330.2	2.5	63.5	51	128	211	320	448	576	730	922	1114	1280
					4.0	101.6	104	268	464	744	1024	1304	1544	1720	1880	2000
					5.0	127	130	335	580	930	1280	1630	1930	2150	2350	2500

Notes: 1. Travel of 1.5 inches (38.1mm) for 41405.

2. Ex. 3x2 size = valve with 3" body x standard 2" trim.

C_v and F_L versus Travel

Standard Trim Models 41325, 41425, 41525, 41625 and 41925

Flow Characteristic : **EQUAL PERCENTAGE**

Percent of Travel							10	20	30	40	50	60	70	80	90	100	
F _L							0.94	0.94	0.94	0.94	0.94	0.94	0.93	0.92	0.92	0.92	0.90
Valve Size		ANSI Class and Equivalent PN	Orifice Diameter		Travel		Rated C _v										
			inches	mm	inches	mm											
2	50	900 - 1500	1.84	46.7	0.8	20.3	0.2	0.4	0.8	1.3	2.1	3.8	6.7	10.0	12.4	14	
							0.5	1.1	2	3.2	5.2	9.5	16.7	25.0	31.1	35	
2	50	150 - 600	2.50	63.5	1.5	38.1	0.3	0.8	1.5	2.3	3.8	7.1	12.4	18.5	23.1	26	
3x2	80x50	150 - 1500					0.8	2.0	3.7	5.9	9.6	17.7	30.9	46.3	57.8	65	
4x2	100x50																
3	80	150 - 1500	3.50	88.9	2.0	50.8	0.7	1.7	3.2	5	8.3	15.2	26.6	39.9	49.8	56	
							1.8	4	8	13	21	38	67	100	124	140	
4	100	150 - 1500	4.38	111.3	2.0	50.8	1	3	5	8	13	24	43	64	80	90	
							3	7	13	20	33	61	107	160	200	225	
6	150	150 - 1500	5.12	130.0	2.0	50.8	4	8	15	24	35	54	80	108	130	144	
							9	21	39	60	87	135	200	269	326	360	
8	200	150 - 1500	6.50	165.1	2.5	63.5	6	14	25	39	56	86	128	172	208	230	
							14	34	62	97	140	215	320	430	521	575	
10	250	150 - 1500	8.00	203.2	3.0	76.2	9	21	39	60	87	135	200	269	326	360	
							23	53	97	151	219	337	500	672	815	900	
12	300	150 - 1500	9.75	247.7	3.75	95.25	13	30	54	84	122	187	278	374	453	500	
							32	75	136	212	306	471	700	941	1142	1260	
16	400	150 - 1500	13.00	330.2	5.0	127	22	53	97	151	219	337	500	672	815	900	
							56	33	243	378	547	842	1251	1681	2038	2250	

Note: 1. Ex. 3x2 size = valve with 3" body x standard 2" trim.

C_v and F_L versus Travel

Single Stage Lo-dB[®]/Anti-Cavitation
Models: 41335, 41435, 41535, 41635, 41935, 41X45 (with internal diffuser)

Flow Characteristic : **LINEAR**

Percent of Travel							10	20	30	40	50	60	70	80	90	100		
F _L							0.94	0.94	0.94	0.94	0.94	0.94	0.94	0.94	0.94	0.94	0.94	
Valve Size		ANSI Class and Equivalent PN	Orifice Diameter		Travel		Rated C _v											
inches	mm		inches	mm	inches	mm	1	2	3	4	5	6	7	8	9	10		
2	50	900 - 1500	1.84	46.7	0.8	20.3	1	2	3	4	5	6	7	8	9	10		
							1.3	2.6	3.9	5.2	6.5	7.8	9.1	10.4	11.7	13		
							1.7	3.4	5.1	6.8	8.5	10.2	11.9	13.6	15.3	17		
							2.3	4.6	6.9	9.2	11.5	13.8	16.1	18.4	20.7	23		
							3	6	9	12	15	18	21	24	27	30		
2	50	150 - 600	2.50	63.5	1.5	38.1	2.5	5	7.5	10	12.5	15	17.5	20	22.5	25		
							3	6	10	13	16	19	22	26	29	32		
		3x2 4x2					80x50 100x50	150 - 1500	4	9	13	17	22	26	30	34	39	43
									6	12	17	23	29	35	41	46	52	58
									7	14	22	29	36	43	50	58	65	72
3	80	150 - 1500	3.50	88.9	2.0	50.8	4	8	12	16	20	24	28	32	36	40		
							5	11	16	22	27	32	38	43	49	54		
							7	14	22	29	36	43	50	58	65	72		
							10	19	29	38	48	57	67	76	86	95		
							13	25	38	50	63	75	88	100	113	125		
4	100	150 - 1500	4.38	111.3	2.0	50.8	7	13	20	26	33	39	46	52	59	65		
							9	17	26	34	43	51	60	68	77	85		
							11	22	33	44	55	66	77	88	99	110		
							15	30	45	60	75	90	105	120	135	150		
							20	39	59	78	98	117	137	156	176	195		
6	150	150 - 1500	5.12	130.0	2.5	63.5	10	20	30	40	50	60	70	80	90	100		
							13	26	39	52	65	78	91	104	117	130		
							18	35	53	70	88	105	123	140	158	175		
							23	46	69	92	115	138	161	184	207	230		
							30	60	90	120	150	180	210	240	270	300		
8	200	150 - 1500	6.50	165.1	2.5	63.5	17	33	50	66	83	99	116	132	149	165		
							22	44	66	88	110	132	154	176	198	220		
					10x8 12x8	250x200 300x200	150 - 1500	29	58	87	116	145	174	203	232	261	290	
								38	76	114	152	190	228	266	304	342	380	
								3.0	76.2	50	100	150	200	250	300	350	400	450
10	250	150 - 1500	8.00	203.2	2.5	63.5	23	45	68	90	113	135	158	180	203	225		
							29	58	87	116	145	174	203	232	261	290		
					3.5	88.9	39	78	117	156	195	234	273	312	351	390		
							52	104	156	208	260	312	364	416	468	520		
							65	130	195	260	325	390	455	520	585	650		
12	300	150 - 1500	9.75	247.7	2.5	63.5	48	96	144	192	240	288	336	384	432	480		
							63	126	189	252	315	378	441	504	567	630		
					4.0	101.6	84	168	252	336	420	504	588	672	756	840		
5.0	127	110	220	330	440	550	660	770	880	990	1100							
16	400	150 - 1500	13.00	330.2	2.5	63.5	78	156	234	312	390	468	546	624	702	780		
							103	206	309	412	515	618	721	824	927	1030		
					4.0	101.6	136	272	408	544	680	816	952	1088	1224	1360		
6.0	152.4	180	360	540	720	900	1080	1260	1440	1620	1800							

Notes: 1. Ex. 3x2 size = valve with 3" body x standard 2" trim.
 2. Internal diffuser design only available for valve sizes 6" to 16" (150 to 400mm) and with capacities shaded above.

Multi-Stage Lo-dB®
Models 41355, 41555, 41655 and 41955

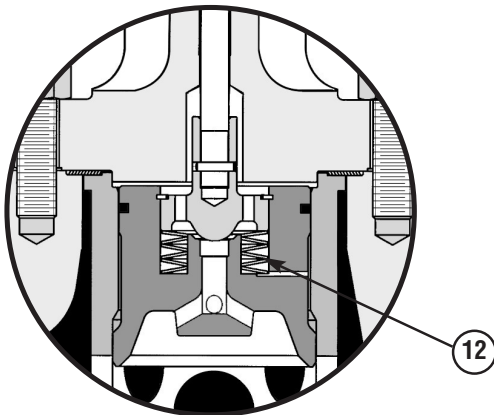
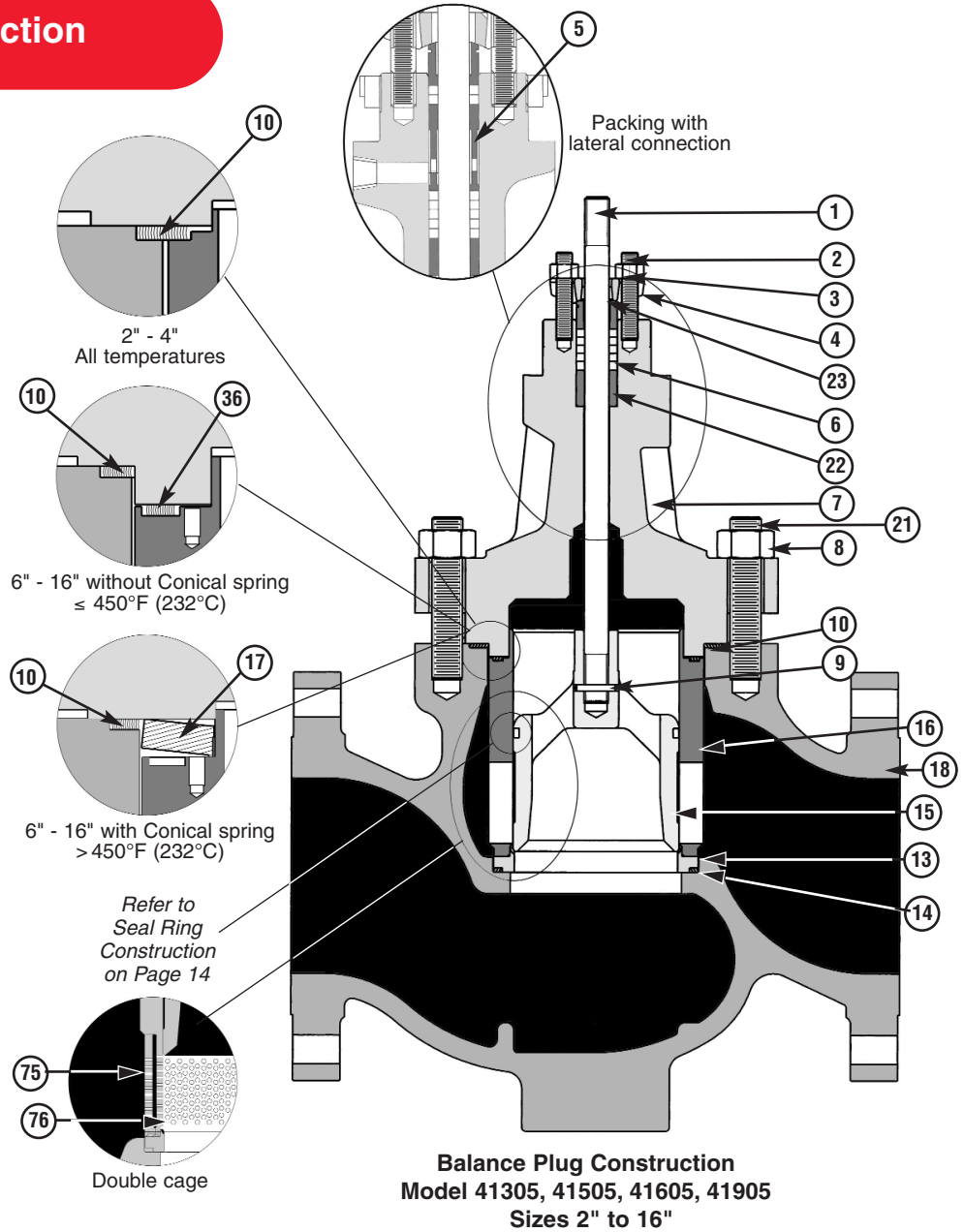
Flow Characteristic : **LINEAR**

Percent of Travel							10	20	30	40	50	60	70	80	90	100		
F _L							0.96	0.96	0.96	0.96	0.96	0.96	0.96	0.96	0.96	0.96	0.96	
Valve Size		ANSI Class and Equivalent PN	Orifice Diameter		Travel		Rated C _v											
			inches	mm	inches	mm												
inches	mm		inches	mm	inches	mm												
2	50	900 - 1500	1.84	46.7	0.8	20.3	1.2	2.4	3.6	4.8	6.0	7.2	8.4	9.6	10.8	12		
							1.9	3.8	5.7	7.6	9.5	11.4	13.3	15.2	17.1	19		
							2.4	4.8	7.2	9.6	12.0	14.4	16.8	19.2	21.6	24		
2	50	150 - 600	2.50	63.5	1.5	38.1	3	6	9	12	15	18	21	24	27	30		
		150 - 1500					4	9	13	17	22	26	30	34	39	43		
							5	11	16	21	27	32	37	42	48	53		
3	80	150 - 1500	3.50	88.9	2.0	50.8	5	10	15	20	25	30	35	40	45	50		
							8	15	23	30	38	45	53	60	68	75		
							10	19	29	38	48	57	67	76	86	95		
4	100	150 - 1500	4.38	111.3	2.0	50.8	7	14	22	29	36	43	50	58	65	72		
							11	21	32	42	53	63	74	84	95	105		
							13	26	39	52	65	78	91	104	117	130		
6	150	150 - 1500	5.12	130.0	2.5	63.5	10	19	29	38	48	58	67	77	86	96		
							15	30	45	60	75	90	105	120	135	150		
							19	38	57	76	95	114	133	152	171	190		
8	200	150 - 1500	6.50	165.1	2.5	63.5	16	31	47	62	78	93	109	124	140	155		
							25	50	75	100	125	150	175	200	225	250		
					3.0	76.2	30	60	90	120	150	180	210	240	270	300		
10	250	150 - 1500	8.00	203.2	2.5	63.5	23	46	69	92	115	138	161	184	207	230		
							35	70	105	140	175	210	245	280	315	350		
					3.5	88.9	42	84	126	168	210	252	294	336	378	420		
12	300	150 - 1500	9.75	247.7	2.5	63.5	38	75	113	150	188	225	263	300	338	375		
							60	120	180	240	300	360	420	480	540	600		
					5.0	127	73	145	218	290	363	435	508	580	653	725		
16	400	150 - 1500	13.00	330.2	2.5	63.5	50	100	150	200	250	300	350	400	450	500		
							80	160	240	320	400	480	560	640	720	800		
					6.0	152.4	111	221	332	442	553	663	774	884	995	1105		

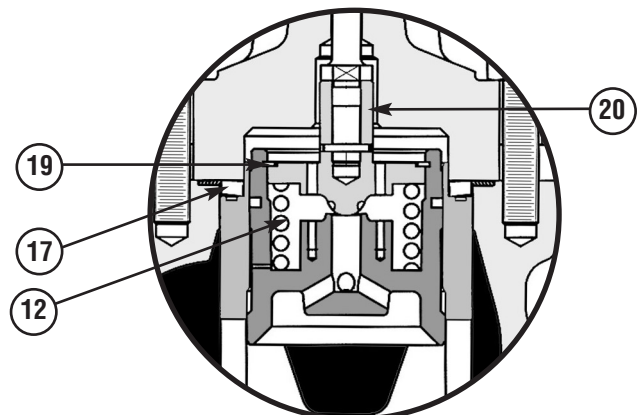
Notes: 1. Ex. 3x2 size = valve with 3" body x standard 2" trim.
 2. Consult Masoneilan for multi-stage trim designs for anti-cavitation service.

Body S/A Construction

Ref.	Part Name
1	Valve Plug Stem
2	Packing Flange Stud
3	Packing Flange Nut
4	Packing Flange
5	Packing Spacer
●	6 Packing
7	Bonnet
8	Valve Body Nut
●	9 Plug Stem Pin
●	10 Body Gasket
*	12 Pilot Spring(s)
13	Seat Ring
●	14 Seat Ring Gasket
15	Valve Plug (or Piston)
16	Cage
+	17 Conical Spring
18	Valve Body
*	19 Retaining Ring
*	20 Auxiliary Pilot Plug
21	Valve Body Stud
22	Guide Bushing
23	Packing Follower
●	31 Tec Seal
○●	35 Ni-resist® Seal Ring
36	Cage Gasket
★●	40 PTFE Seal Ring
★●	41 Nordel® Backup Ring
□●	45 Graphite Seal Ring
●	46 Ni-resist® Backup Ring
75	Double cage
76	Pin
* For 41405 Series Valves Only	
+ For 6" to 16" Valves Sizes Only above 450°F (232°C)	
★ For 41605 Series Valves Only	
● Recommended Spare Parts	
□ For 41905 Series Valves Only	
○ For 41405 / 41505 Series Valves Only	
⊗ For 41305 Series Valves Only	



Pilot Balanced Construction Model 41405
Applications up to 850°F (454°C)
Sizes 2" to 4" shown



Pilot Balanced Construction Model 41405
Applications above 450°F (232°C) to 1050°F (566°C)
Sizes 6" to 16" shown

Standard Carbon Steel Version

Ref. No	Temperature Range		-20°F (-29°C)	450°F (232°C)	650°F (343°C)	800°F (427°C)
	Description		Standard Materials			
1	Plug Stem		17-4 PH St. St. ASTM A564 GR 630			
2	Packing Flange Stud		304 St. St. ASTM A193 GR B8			
3	Packing Flange Nut		304 St. St. ASTM A194 GR 8			
4	Packing Flange		Carbon Steel ASTM A105 Zinc Plated			
5	Packing Spacer		303 St. St. ASTM A582 TY 303			
6	Packing		Kevlar PTFE (Crane 285K) ⁽¹⁾			
7	Valve Bonnet		Carbon Steel ASTM A216 Grade WCC			
8	Valve Body Nut		Carbon Steel ASTM A194 GR 2H			
9	Plug Stem Pin		316 St. St. ASTM A479 TY 316			
10	Valve Body Gasket		316L St. St. w/Flexible Graphite Filler (Spiral Wound)			
12	Pilot Spring(s) (41405 Only)	2" to 4"	Inconel X-750 AMS 5598 (Stacked Washers)			
		6" to 16"	Inconel X-750 ASTM B637 GR 688			
13	Seat Ring		400 Series Martensitic Stainless Steel - Hardened			
14	Seat Ring Gasket		316L St. St. w/Flexible Graphite Filler (Spiral Wound)			
15	Valve Plug		17-4 PH St. St. ASTM A747 GR CB7CU-1 Condition H1075			
16	Cage		Martensitic St. St. ASTM A487 GR CA6NM CL B Hard Chrome Plated			
17	Conical Spring (6" to 16")		See Note 2	17-4 PH ASTM A564 GR 630 Condition H1075	Inconel X-750 ASTM B637 GR 688	
18	Valve Body		Carbon Steel ASTM A216 Grade WCC			
19	Retaining Ring (41405 Only)		Inconel X-750 AMS 5598			
20	Auxiliary Pilot Plug (41405 Only)	2" to 4"	400 Series Martensitic Stainless Steel - Hardened			
		6" to 16"	Martensitic St. St. ASTM A487 GR CA6NM CL B with Chrome Plated Guide and Hardfaced Seat			
21	Valve Body Stud		Alloy Steel ASTM A193 GR B7			
22	Guide Bushing		440C St. St. ASTM A276 TY 440C			
23	Packing Follower		303 St. St. ASTM A582 TY 303			
—	Internal Diffuser (6" to 16") (See Note 4)		316 St. St. ASTM A479 TY 316 with Hardfaced Seat			
36	Cage Gasket (6" to 16")		316L St. St. w/Flexible Graphite Filler (Spiral Wound)			See Note 3
31	Seal Ring	See Page 14				
35						
40						
41						
45						
46						

- Notes: 1. PTFE/Carbon and graphite wipers rings required for ANSI Class 1500 and 2500.
 2. Conical spring only required for valve sizes 6" to 16" for applications > 450°F (232°C).
 3. Cage gasket only required for valve sizes 6" to 16" for applications ≤ 450°F (232°C).
 4. Internal Diffuser includes an internal 316SS Seat Ring with hardfaced seat. This part replaces the Seat Ring (Ref. No. 13) when this option is selected. See graphic on page 15.

Review use of optional materials and configurations for temperature ranges indicated. Standard materials listed may still be applicable depending on specific service conditions. Consult Masoneilan for appropriate material combinations.

Standard Stainless Steel Version ⁽¹⁾

Ref. No	Temperature Range	-320°F (-196°C)	-50°F (46°C)	450°F (232°C)	650°F (343°C)	1050°F (566°C)
Description		Standard Materials				
1	Plug Stem			316 St. St. ASTM A479 TY 316		
7	Valve Bonnet ⁽²⁾			316 St. St. ASTM A351 GR CF8M		
18	Valve Body			316 St. St. ASTM A479 TY 316 with Hardfaced Seat		
13	Seat Ring			316 St. St. ASTM A479 TY 316 with Hardfaced Seat		
15	Valve Plug			316 St. St. ASTM A479 TY 316 with Hardfaced Seat		
16	Cage		316 St. St. ASTM A479 TY 316 Chrome-Plated			
17	Conical Spring (6" to 16")		See Note 3		Inconel X-750 ASTM B637 + Shot Peening	
20	Auxiliary Pilot Plug (41405 Only)		316 St. St. ASTM A479 TY 316 with Chrome Plated Guide and Hardfaced Seat			
22	Guide Bushing		316 St. St. ASTM A479 TY 316 with Hardfacing			

- Notes: 1. Materials for other components are same as listed for Standard Carbon Steel Version.
 2. Extension bonnet required for temperatures below -100°F (-73°C).
 3. Conical spring only required for valve sizes 6" to 16" for applications > 450°F (232°C).
 4. See trim materials for Standard Carbon Steel Version for Martensitic Trim Option.

Optional Configurations and Materials

Ref. No	Temperature Range	-320°F (-196°C)	-20°F (-29°C)	650°F (343°C)	1050°F (566°C)
Description		Optional Materials			
1	Plug Stem			A286 Super Alloy ASTM A638 GR 660 Inconel X-750 ASTM B637 GR 688	
6	Packing			LE [®] Packing ⁽¹⁾ Flexible Graphite	
7	Valve Bonnet			Chrome-Moly Steel ASTM A217 Grade WC6 or Grade WC9	
18	Valve Body			Chrome-Moly Steel ASTM A217 Grade WC6 or Grade WC9	
13	Seat Ring	2" to 4"	316 St. St. ASTM A479 TY 316 with Hardfaced Seat		
		6" to 16"	Martensitic St. St. ASTM A487 GR CA6NM CL B with Hardfaced Seat		
15	Valve Plug		Martensitic St. St. ASTM A487 GR CA6NM CL B Nitrided		
16	Cage		Martensitic St. St. ASTM A487 GR CA6NM CL B Nitrided		
			316 St. St. ASTM A479 TY 316 Nitrided		
20	Auxiliary Pilot Plug (2" to 4") (41405 Only)		Martensitic St. St. ASTM A487 GR CA6NM CL B with Chrome Plated Guide and Hardfaced Seat		

- Notes: 1. LE Packing for low emissions applications is limited to maximum operating pressure of 750 psig (52 bar).
 2. Recommended material for use along with solid Stellite bushing for applications above 650°F (343°C).
 3. Consult Masoneilan for material combinations for temperatures below -20°F (-29°C) or above 800°F (427°C).

Review use of optional materials and configurations for temperature ranges indicated. Standard materials listed may still be applicable depending on specific service conditions. Consult Masoneilan for appropriate material combinations.

Optional Bolting Materials

Ref. No	Temperature Range	-320°F (-196°C) to -150°F (-101°C)	-150°F (101°C) to -20°F (-29°C)	850°F (454°C) to 950°F (510°C)	950°F (510°C) to 1050°F (566°C)
Description		Optional Materials			
8	Valve Body Nut	316 SS ASTM A194 Grade 8M	Alloy Steel ASTM A194 Grade 4	Alloy Steel ASTM A194 Grade 4	304 SS ASTM A194 Grade 8
21	Valve Body Stud	316 SS ASTM A193 Grade B8M Class 2	Alloy Steel ASTM A320 Grade L7	316 SS ASTM A193 Grade B16	Super Alloy ASTM A453 Grade 660

- Note: Use following materials for 2" and 3" sizes ANSI Class 300/600 at temperatures below -20°F (-29°C).
 Studs - 304 SS ASTM A193 Grade B8 Class 2 • Nuts - 304 SS ASTM A194 Grade 8.

NACE⁽¹⁾ Configuration and Material Options

Valve Sizes: 2" to 16" • Body Ratings: ANSI Class 150 to 1500

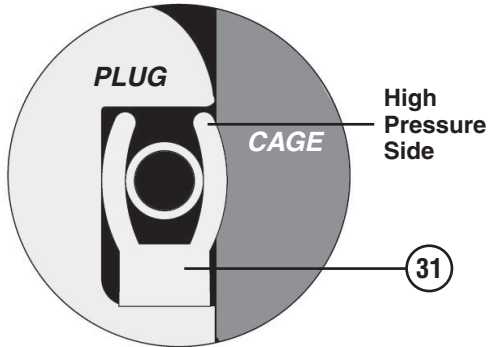
Ref. No	Temperature Range	-20°F (-29°C)	650°F (343°C)
	Description	Standard and Optional Materials	
1	Plug Stem	316 St. St. ASTM A479 TY 316 (HRC 22 Max.)	
		Inconel X-750 ASTM B637 GR 688 (HRC 35 Max.)	
2	Packing Flange Stud	304 St. St. ASTM A193 GR B8 ⁽²⁾	
		Alloy Steel ASTM A193 Gr B7M ⁽³⁾	
3	Packing Flange Nut	304 St. St. ASTM A194 GR 8 ⁽²⁾	
		Alloy Steel ASTM A194 Gr 2M ⁽³⁾	
4	Packing Flange	Carbon Steel ASTM A668 CL B	
5	Packing Spacer	304 St. St. ASTM A479 TY 304	
6	Packing	Kevlar PTFE (Crane 285K)	
7	Valve Bonnet	Carbon Steel ASTM A216 Grade WCC (HRC 22 Max.)	
		Carbon Steel ASTM A105 (HRC 22 Max.)	
		316 St. St. ASTM A351 Gr CF8M (HRC 22 Max.)	
8	Valve Body Nut	Alloy Steel ASTM A194 GR 2H ⁽²⁾	
		Alloy Steel ASTM A194 Gr 2M ⁽³⁾	
9	Plug Stem Pin	316 St. St. ASTM A479 TY 316 (HRC 22 Max.)	
10	Valve Body Gasket	316L St. St. w/Flexible Graphite Filler (Spiral Wound)	
12	Pilot Spring(s) (41405 Only)	2" to 4"	Inconel X-750 AMS 5598 (HRC 50 Max.)
		6" to 16"	Inconel X-750 ASTM B637 GR 688 (HRC 50 Max.)
13	Seat Ring	316 St. St. ASTM A479 TY 316 (HRC 22 Max.)	
		316 St. St. ASTM A479 TY 316 with Hardfaced Seat (HRC 22 Max.)	
14	Seat Ring Gasket	316L St. St. w/Flexible Graphite Filler (Spiral Wound)	
15	Valve Plug	316 St. St. ASTM A479 TY 316 with Hardfaced Seat (HRC 22 Max.)	
		Martensitic St. St. ASTM A487 GR CA6NM CL B (HRC 22 Max.)	
16	Cage	316 St. St. ASTM A479 TY 316 Hard Chrome Plated (HRC 22 Max.)	
		Martensitic St. St. ASTM A487 GR CA6NM CL B Hard Chrome Plated (HRC 23 Max.)	
18	Valve Body	Carbon Steel ASTM A216 Grade WCC (HRC 22 Max.)	
		316 St. St. ASTM A351 Gr CF8M (HRC 22 Max.)	
19	Retaining Ring (41405 Only)	Inconel X-750 AMS 5598 (HRC 50 Max.)	
20	Auxiliary Pilot Plug (41405 Only)	316 St. St. ASTM A479 TY 316 with Hardfaced Seat (HRC 22 Max.)	
		Martensitic St. St. ASTM A487 GR CA6NM CL B Chrome Plated Guide and Hardfaced Seat (HRC 23 Max.)	
21	Valve Body Stud	Alloy Steel ASTM A193 GR B7 ⁽²⁾	
		Alloy Steel ASTM A193 Gr B7M ⁽³⁾	
22	Guide Bushing	Stellite 6 UNS 30006	
		316 St. St. ASTM A479 TY 316 with Hardfacing	
23	Packing Follower	316 St. St. ASTM A479 TY 316	
—	Internal Diffuser (6" to 16") (Not Shown)	316 St. St. ASTM A479 TY 316 with Hardfaced Seat (HRC 22 Max.)	
36	Cage Gasket (6" to 16") ⁽⁴⁾	316L St. St. w/Flexible Graphite Filler (Spiral Wound)	
31	Seal Ring ⁽⁵⁾	See Page 14	
35			
40			
41			
45			
46			
—	Drive Nut (Not Shown)	Carbon Steel SAE 1117 ⁽²⁾	
		Carbon Steel ASTM A105 or SAE 1010-1025 ⁽³⁾	

- Notes: 1. Materials and processes in accordance with the requirements of NACE specification MR0175.
 2. Materials designated for these parts conform to NACE Class III bolting requirements.
 3. Materials designated for these parts conform to NACE Class I or Class II bolting requirements.
 4. Cage gasket only required for valve sizes 6" to 16" for applications ≤ 450°F (232°C).
 5. Seal ring materials for Model 41605 (PTFE Seal Ring) will be replaced with Glass-Reinforced PTFE External Seal Ring (Ref. No. 40) and Viton Internal Seal Ring (Ref. No. 41).
 6. Maximum temperature for Models 41305 and 41605 limited to 450°F (232°C).

Seal Ring Construction

Model 41305

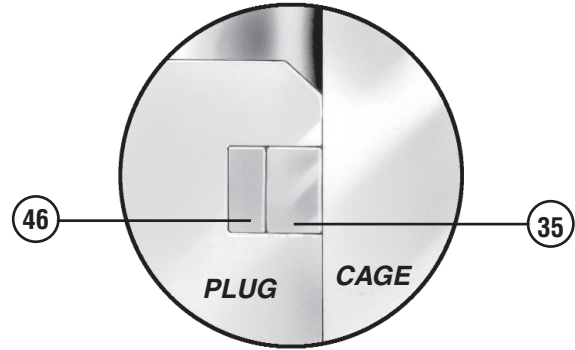
Seal Type: Pressure Energized Polymeric
 Leakage: Class IV Standard
 (Class V Optional)
 Temperature: -50°F (-46°C) to +450°F (+232°C)



Seal Shown in FTO Orientation

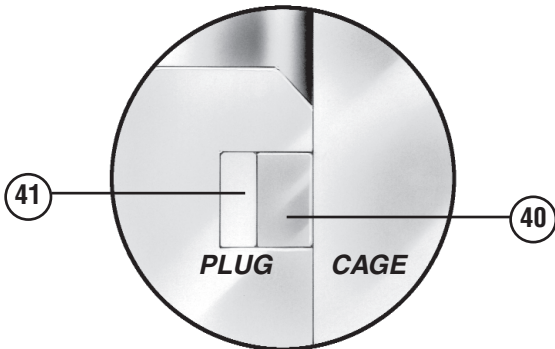
Models 41405 and 41505

Seal Type: Metal
 Leakage: From Class II to Class V (with pilot)
 Temperature: -320°F (-196°C) to +1050°F (+566°C)



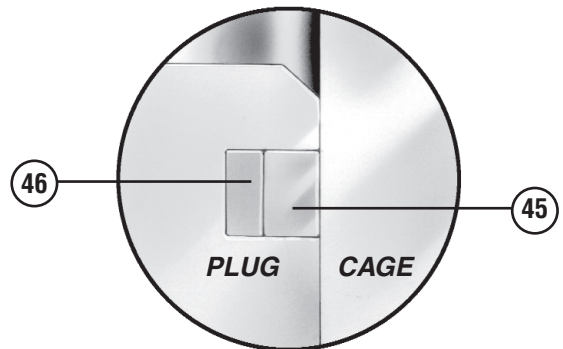
Model 41605

Seal Type: TFE and Resilient Inner
 Leakage: Class IV Standard
 Temperature: -20°F (-29°C) to +300°F (+149°C)



Model 41905

Seal Type: Graphite and Metal Inner
 Leakage: Class III and Class IV Standard
 Temperature: -320°F (-196°C) to +850°F (+454°C)

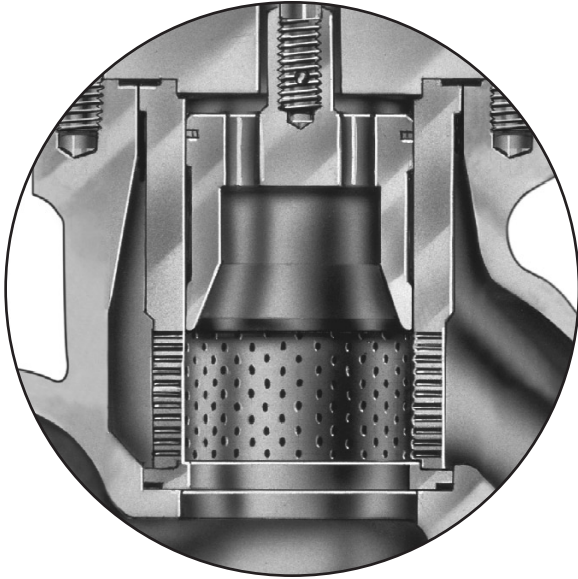


Materials of Construction

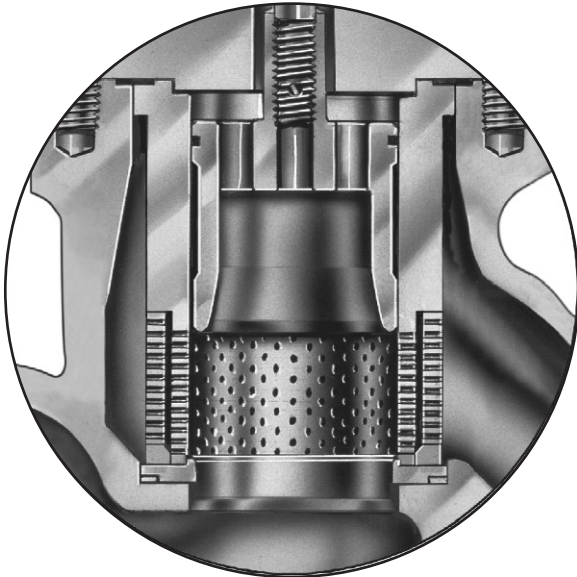
Temperature Range	-320°F (-196°C)	-50°F (-46°C)	-20°F (-29°C)	+300°F (+149°C)	+450°F (+232°C)	+650°F (+343°C)	+850°F (+454°C)	+1050°F (+566°C)
Ref. No.	Materials							
31	Seal Ring							
35	External Seal Ring							
40	External Seal Ring							
41	Internal Seal Ring							
45	External Seal Ring							
46	Internal Seal Ring							
			PTFE + 25% Graphite and ELGILOY Spring					
			Ni-Resist ASTM A439 Type D3				Nitrided CA6NM	
			Bronze PTFE					
			Glass Reinforced PTFE ⁽¹⁾					
			Nordel					
			Viton ⁽¹⁾⁽²⁾					
			Graphite					
			Ni-Resist ASTM A439 Type D3					

Note: 1. Optional materials for NACE Service. Viton not recommended for water or steam service.
 2. Viton is recommended for oil and hydrocarbon service.

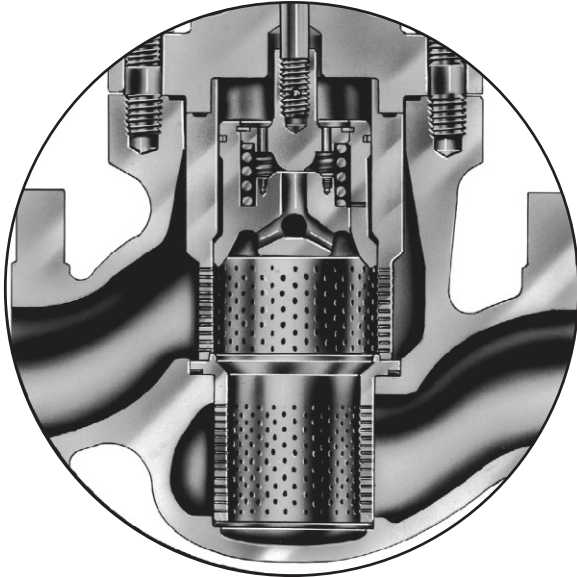
Trim Types



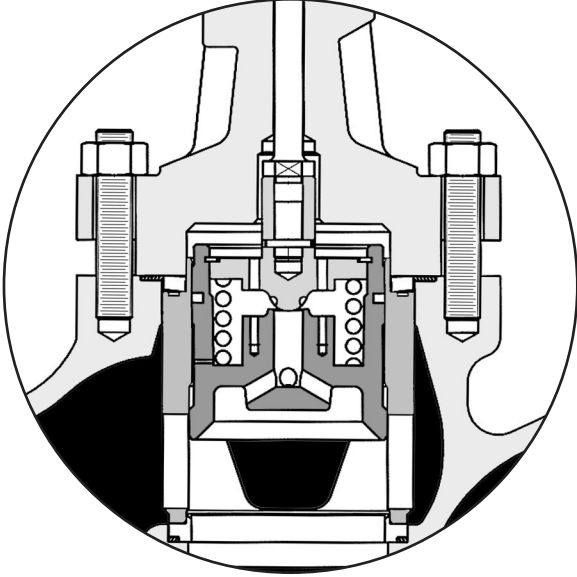
Models 41335 - 41535 - 41635 - 41935
Single Stage
Low Noise Trim FTO
Anti-Cavitation Trim FTC



Models 41355 - 41555 - 41655 - 41955
Multi-Stage
Low Noise Trim FTO

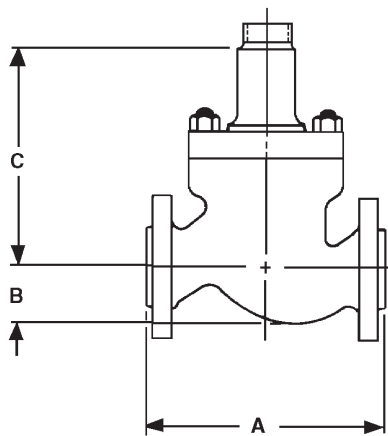


Model 41405
Pilot Balanced Construction FTC
Single Stage
Lo-dB with Internal Diffuser
Sizes 6" - 16"

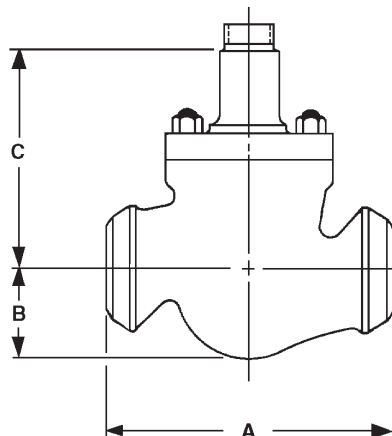


Model 41405
Pilot Balanced Construction FTC

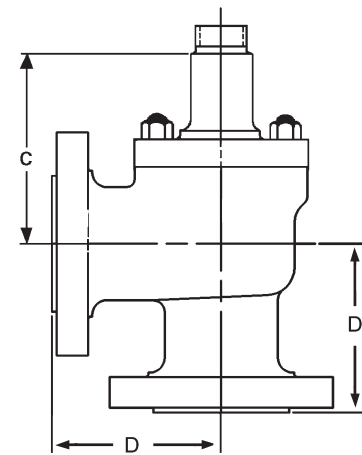
Dimensions (inches)



Flanged



**Butt, Socket Weld
or Screwed Ends**



Angle

Body S/A (inches)

Pressure Class		A										
		ANSI Class 150 and equivalent PN		ANSI Class 300 and equivalent PN			ANSI Class 600 and equivalent PN			ANSI Class 900 and equivalent PN		
Valve Size		RF	RTJ	BW & SW	RF	RTJ	BW & SW	RF	RTJ	BW & SW	RF	RTJ
inches	mm											
2	50	10.00	10.51	11.26	10.51	11.14	11.26	11.26	11.38	14.76	14.76	14.88
3	80	11.73	12.24	13.27	12.52	13.15	13.27	13.27	13.39	18.11	17.36	17.52
3x2	80x50	"	"	"	"	"	"	"	"	(1)	(1)	(1)
4	100	13.86	14.37	15.51	14.53	15.12	15.51	15.51	15.63	20.87	20.12	20.24
4x2	100x50	"	"	"	"	"	"	"	"	(1)	(1)	(1)
4x3	100x80	"	"	"	"	"	"	"	"	20.87	20.12	20.24
6	150	17.76	18.27	20.00	18.62	19.25	20.00	20.00	20.12	30.24	28.11	28.23
6x3	150x80	"	"	"	"	"	"	"	"	"	"	"
6x4	150x100	"	"	"	"	"	"	"	"	"	"	"
8	200	21.38	21.89	24.02	22.40	22.99	24.02	24.02	24.13	38.24	36.02	36.14
8x4	200x100	"	"	"	"	"	"	"	"	"	"	"
8x6	200x150	"	"	"	"	"	"	"	"	"	"	"
10	250	26.50	27.01	29.61	27.87	28.50	29.61	29.61	29.72	46.00	42.99	43.11
10x6	250x150	"	"	"	"	"	"	"	"	"	"	"
10x8	250x200	"	"	"	"	"	"	"	"	"	"	"
12	300	29.02	29.53	32.24	30.51	31.14	32.24	32.24	32.36	48.00	44.49	44.61
12x8	300x200	"	"	"	"	"	"	"	"	"	"	"
16	400	40.00	40.51	43.62	41.61	42.20	43.62	43.62	43.74	50.00	54.13	54.49
16x12	400x300	"	"	"	"	"	(1)	"	"	(1)	(1)	(1)

Notes: 1. Consult Masoneilan
2. Ex. 3x2 size = valve with 3" body x standard 2" trim.

Body S/A (inches)

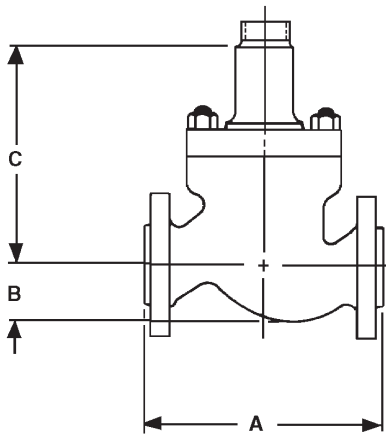
Pressure Class		A			B max	C max
		ANSI Class 1500 and equivalent PN				
		Valve Size		BW & SW	RF	RTJ
inches	mm					
2	50	14.76	14.76	14.88	3.70	9.84
3	80	18.11	18.11	18.27	3.66	11.81
3x2	80x50	(1)	(1)	(1)	"	"
4	100	20.87	20.87	20.98	4.41	12.99
4x2	100x50	(1)	(1)	(1)	"	"
4x3	100x80	20.87	20.87	20.98	"	"
6	150	30.24	30.24	30.47	6.54	15.51
6x3	150x80	"	"	"	"	"
6x4	150x100	"	"	"	"	"
8	200	38.24	38.24	38.62	8.07	20.51
8x4	200x100	"	"	"	"	"
8x6	200x150	"	"	"	"	"
10	250	46.00	46.00	46.38	9.72	22.48
10x6	250x150	"	"	"	"	"
10x8	250x200	"	"	"	"	"
12	300	48.00	48.00	48.58	14.13	24.65
12x8	300x200	(1)	(1)	(1)	"	"
16	400	50.00	59.37	60.24	17.68	27.32
16x12	400x300	(1)	(1)	(1)	"	"

Notes: 1. Consult Masoneilan
 2. Ex. 3x2 size = valve with 3" body x standard 2" trim.

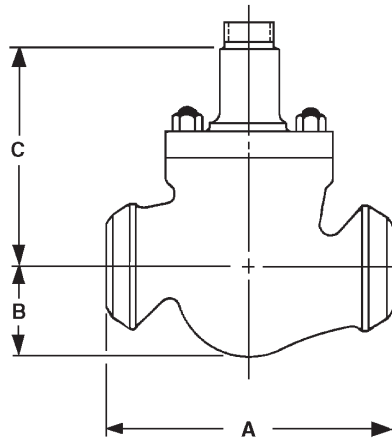
Angle Body S/A (inches)

Pressure Class		D									
		ANSI Class 150 and equivalent PN		ANSI Class 300 and equivalent PN		ANSI Class 600 and equivalent PN		ANSI Class 900 and equivalent PN		ANSI Class 1500 and equivalent PN	
		RF	RTJ	RF	RTJ	RF	RTJ	RF	RTJ	RF	RTJ
Valve Size											
inches	mm										
2	50	5.15	5.38	5.27	5.58	5.78	5.84	7.27	7.35	7.27	7.35
3	80	5.92	6.17	6.29	6.61	7.04	7.12	8.89	8.97	9.28	9.36
4	100	7.71	7.94	8.04	8.34	8.53	8.61	10.38	10.46	10.78	10.86
6	150	8.34	8.59	8.77	9.09	11.02	11.07	12.04	12.10	13.89	14.01

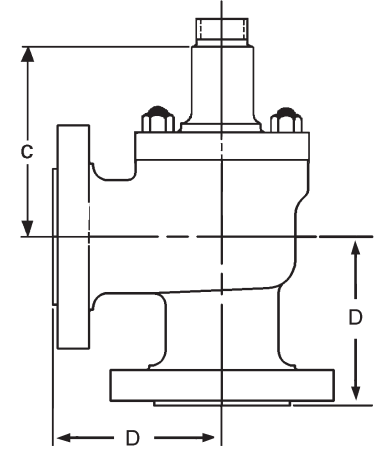
Dimensions (mm)



Flanged



**Butt, Socket Weld
or Screwed Ends**



Angle

Body S/A (mm)

Pressure Class		A										
		ANSI Class 150 and equivalent PN		ANSI Class 300 and equivalent PN			ANSI Class 600 and equivalent PN			ANSI Class 900 and equivalent PN		
Valve Size		RF	RTJ	BW & SW	RF	RTJ	BW & SW	RF	RTJ	BW & SW	RF	RTJ
inches	mm											
2	50	254	267	286	267	283	286	286	289	375	375	378
3	80	298	311	337	318	334	337	337	340	460	441	445
3x2	80x50	"	"	"	"	"	"	"	"	(1)	(1)	(1)
4	100	352	365	394	369	384	394	394	397	530	511	514
4x2	100x50	"	"	"	"	"	"	"	"	(1)	(1)	(1)
4x3	100x80	"	"	"	"	"	"	"	"	530	511	514
6	150	451	464	508	473	489	508	508	511	768	714	717
6x3	150x80	"	"	"	"	"	"	"	"	"	"	"
6x4	150x100	"	"	"	"	"	"	"	"	"	"	"
8	200	543	556	610	569	584	610	610	613	972	915	918
8x4	200x100	"	"	"	"	"	"	"	"	"	"	"
8x6	200x150	"	"	"	"	"	"	"	"	"	"	"
10	250	673	686	752	708	724	752	752	755	1168	1092	1095
10x6	250x150	"	"	"	"	"	"	"	"	"	"	"
10x8	250x200	"	"	"	"	"	"	"	"	"	"	"
12	300	737	750	819	775	791	812	819	822	1219	1130	1133
12x8	300x200	"	"	"	"	"	"	"	"	"	"	"
16	400	1016	1029	1108	1057	1072	1108	1108	1111	1270	1375	1384
16x12	400x300	"	"	"	"	"	(1)	"	"	(1)	(1)	(1)

Notes: 1. Consult Masoneilan

2. Ex. 80x50 size = valve with 80mm body x standard 50mm trim.

Body S/A (mm)

Pressure Class		A			B max	C max
		ANSI Class 1500 and equivalent PN				
Valve Size		BW & SW	RF	RTJ	All Classes	All Classes
inches	mm					
2	50	375	375	378	94	250
3	80	460	460	464	93	300
3x2	80x50	(1)	(1)	(1)	"	"
4	100	530	530	533	112	330
4x2	100x50	(1)	(1)	(1)	"	"
4x3	100x80	530	531	533	"	"
6	150	768	768	774	166	394
6x3	150x80	"	"	"	"	"
6x4	150x100	"	"	"	"	"
8	200	972	972	981	205	521
8x4	200x100	"	"	"	"	"
8x6	200x150	"	"	"	"	"
10	250	1168	1168	1178	247	571
10x6	250x150	"	"	"	"	"
10x8	250x200	"	"	"	"	"
12	300	1219	1219	1234	359	626
12x8	300x200	(1)	(1)	(1)	"	"
16	400	1270	1508	1530	449	694
16x12	400x300	(1)	(1)	(1)	"	"

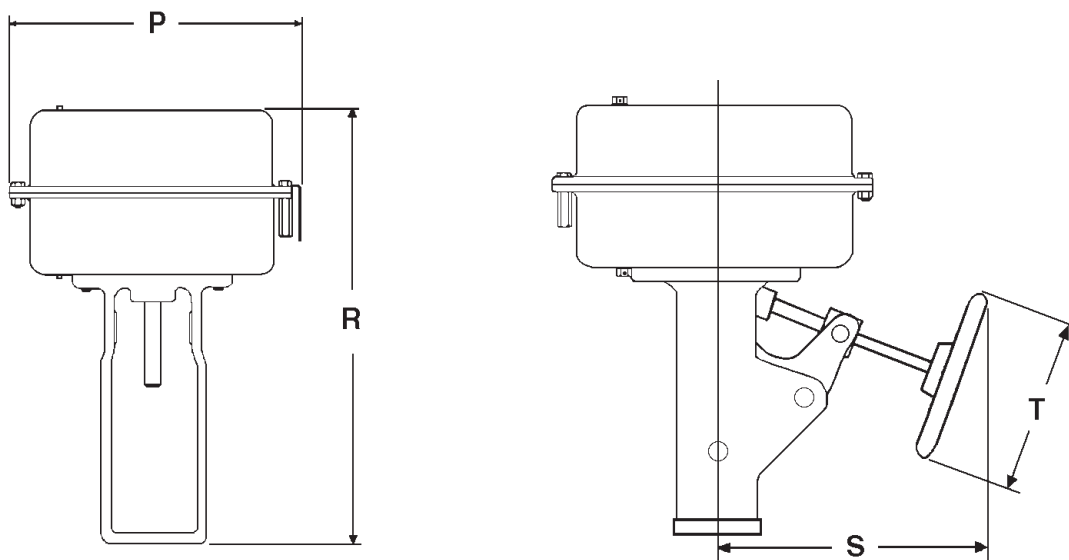
Notes: 1. Consult Masonellian

2. Ex. 80x50 size = valve with 80mm body x standard 50mm trim.

Angle Body S/A (mm)

Pressure Class		D									
		ANSI Class 150 and equivalent PN		ANSI Class 300 and equivalent PN		ANSI Class 600 and equivalent PN		ANSI Class 900 and equivalent PN		ANSI Class 1500 and equivalent PN	
Valve Size		RF	RTJ	RF	RTJ	RF	RTJ	RF	RTJ	RF	RTJ
inches	mm										
2	50	131	137	134	142	147	148	185	187	185	187
3	80	150	157	160	168	179	181	226	228	236	238
4	100	196	202	204	212	217	219	264	266	274	276
6	150	212	218	223	231	280	281	306	307	353	356

Model 87/88 Multi-Spring Diaphragm Actuator



Shown with optional handwheel

Model 87/88 Actuator (inches)

Actuator Size	P	R	S	T
6	11.50	15.54	10.00	9.00
10	14.50	19.58	10.90	12.00
16	18.75	28.22	14.00	18.00
23	21.63	30.71	16.00	18.00

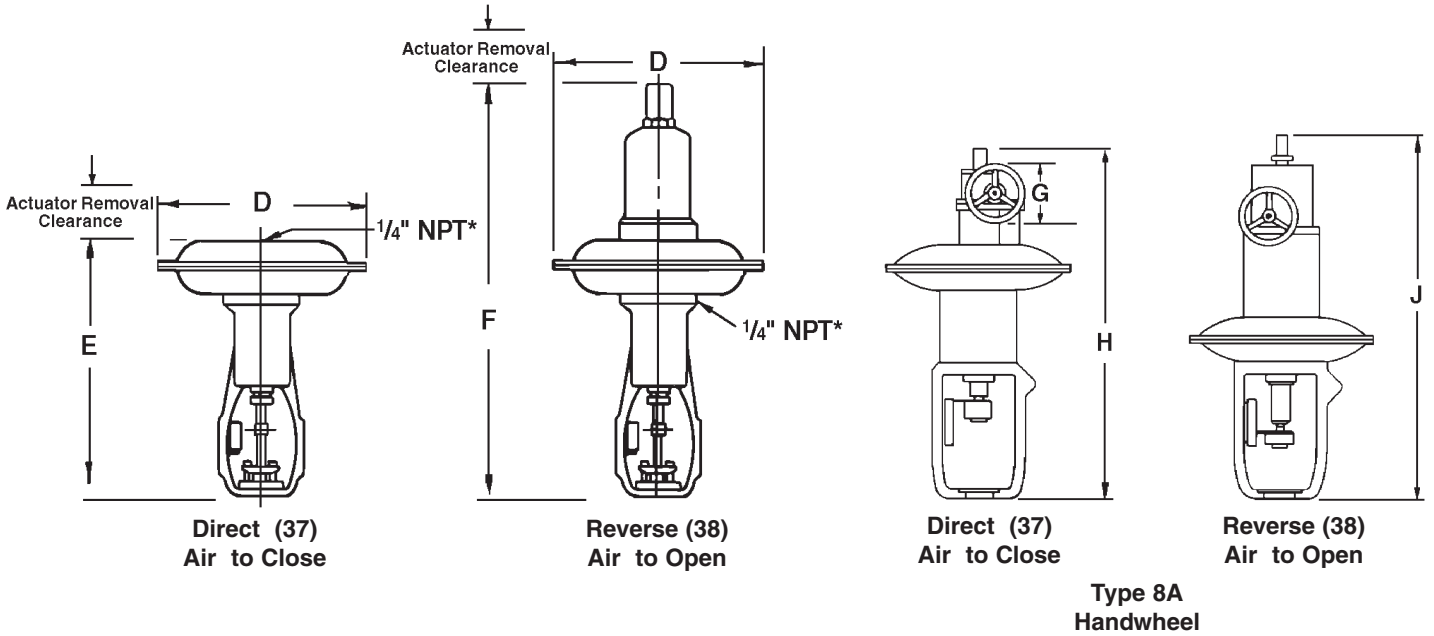
Actuator removal clearance = 6 inches

Model 87/88 Actuator (mm)

Actuator Size	P	R	S	T
6	292	395	254	229
10	368	497	277	305
16	476	717	356	457
23	549	780	406	457

Actuator removal clearance = 150 mm

Mode 37/38 Spring Diaphragm Actuator



Model 37/38 Actuator (inches)

Actuator					Side-Mounted Handwheel			
Size	Actuator Removal Clearance	D	E Dir.	F Rev.	Type	G	H Dir.	J Rev.
18	5.6	20.75	33.4	53 max	8A	8	56 max	66 max
24	5.0	27.5	34.7	59 max	8A	12		

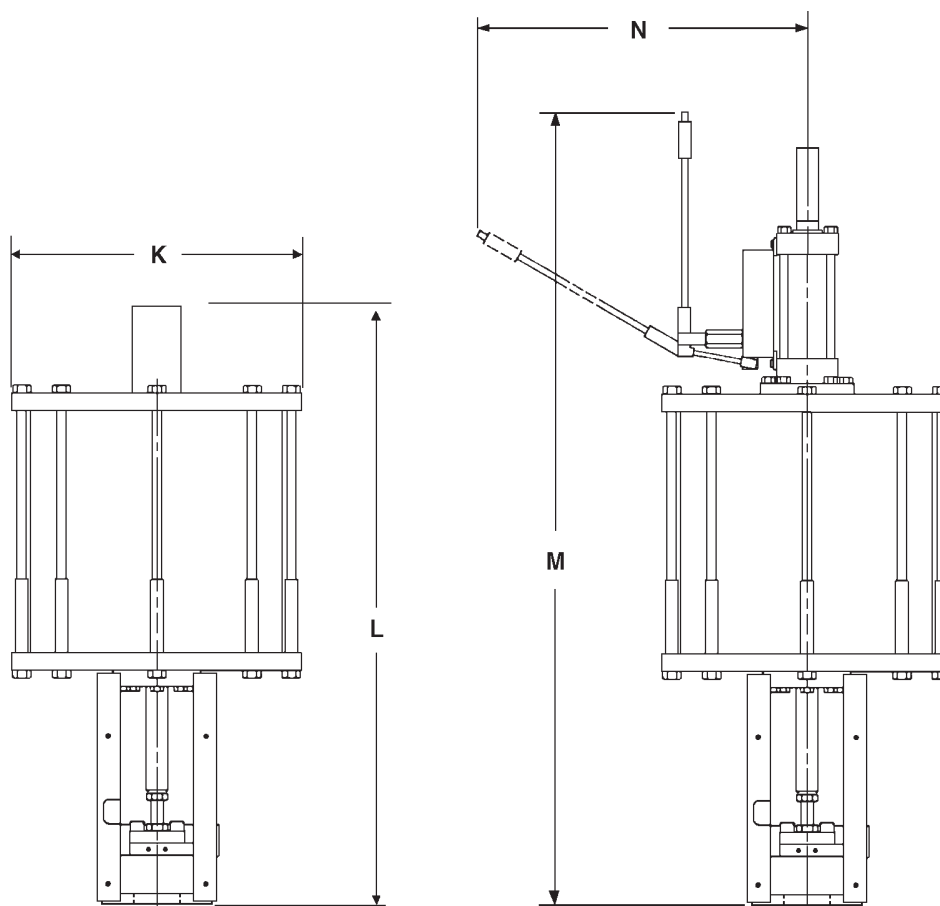
* 1/2" NPT for No. 24 Actuator

Model 37/38 Actuator (mm)

Actuator					Side-Mounted Handwheel			
Size	Actuator Removal Clearance	D	E Dir.	F Rev.	Type	G	H Dir.	J Rev.
18	142	527	849	1353 max	8A	203	1425 max	1667 max
24	127	699	881	1505 max	8A	305		

* 1/2" NPT for No. 24 Actuator

Model 84/85/86 Cylinder Actuator



Model 84/85/86 Actuator (inches)

Actuator Size	K	L	M	N
154	14.80	47.80	62.10	26.70
314	23.90	49.80	64.50	27.00

Actuator removal clearance = 6 inches

Actuator removal clearance with handjack = 7.2 inches

Model 84/85/86 Actuator (mm)

Actuator Size	K	L	M	N
154	376	1214	1577	678
314	607	1265	1638	686

Actuator removal clearance = 150 mm

Actuator removal clearance with handjack = 180 mm

Body S/A Weights (lbs)

Valve Size		Flanged Connection				Threaded / Welded Connection		
		ANSI Class 150, 300 and equivalent PN	ANSI Class 600 and equivalent PN	ANSI Class 900 and equivalent PN	ANSI Class 1500 and equivalent PN	ANSI Class 600 and equivalent PN	ANSI Class 900 and equivalent PN	ANSI Class 1500 and equivalent PN
inches	mm							
2	50	88	88	110	110	88	88	88
3	80	176	198	265	287	154	221	221
4	100	221	265	463	485	198	375	397
6	150	419	507	882	1036	397	750	816
8	200	772	926	1389	1698	772	1147	1323
10	250	1257	1367	2227	2646	1125	1852	2007
12	300	1632	2117	2933	4278	1808	2448	3330
16	400	3462	3837	-	-	3330	-	-

Body S/A Weights (kg)

Valve Size		Flanged Connection				Threaded / Welded Connection		
		ANSI Class 150, 300 and equivalent PN	ANSI Class 600 and equivalent PN	ANSI Class 900 and equivalent PN	ANSI Class 1500 and equivalent PN	ANSI Class 600 and equivalent PN	ANSI Class 900 and equivalent PN	ANSI Class 1500 and equivalent PN
inches	mm							
2	50	40	40	50	50	40	40	40
3	80	80	90	120	130	70	100	100
4	100	100	120	210	220	90	170	180
6	150	190	230	400	470	180	340	370
8	200	350	420	630	770	350	520	600
10	250	570	620	1010	1200	510	840	910
12	300	740	960	1330	1940	820	1110	1510
16	400	1570	1740	-	-	1510	-	-

Model 87/88 Spring Diaphragm Actuator (lbs)

Size	Standard	With Handwheel
6	45	60
10	85	105
16	210	245
23	265	340

Model 87/88 Spring Diaphragm Actuator (kg)

Size	Standard	With Handwheel
6	20	27
10	38	48
16	95	111
23	120	154

Weights

Model 37/38 Spring Diaphragm Actuator (lbs)

Size	Standard		With Handwheel	
	Direct	Reverse	Direct	Reverse
18	190	450 max	234	494
24	375	540 max	419	584

Model 37/38 Spring Diaphragm Actuator (kg)

Size	Standard		With Handwheel	
	Direct	Reverse	Direct	Reverse
18	86	204 max	106	224
24	170	245 max	190	265

Model 84/85/86 Cylinder Actuator (lbs)

Actuator Size	Base Weight	Small Spring	Large Spring	Medium Spring	Handjack
154	266	60	82	–	100
314	709	60	142	84	100

Model 84/85/86 Cylinder Actuator (kg)

Actuator Size	Base Weight	Small Spring	Large Spring	Medium Spring	Handjack
154	120	27	37	–	45
314	321	27	64	38	45

Options

Extension Bonnets
Environmental Capabilities (LE Packing)
Lubricator & Isolation Valve
Other Flange Facings
Limit Stops
Body Drain Plug
Reducer and Nipple Connections
NACE Compliance
Custom Trim Materials
U.O.P. Trim Materials
Other Materials
Soft Seat (IEC 534-4 and ANSI Class VI)
Non-Destructive Examination
Oxygen Cleaning
Electric Actuators

**For Accessories and additional Options,
consult Masoneilan.**

AUSTRIA

Dresser Valves Europe GmbH
Kaiserlallee 14
A-2100 Korneuburg (near Wien), Austria
Phone: 43-2262-63689
Fax: 43-2263-6368915

BELGIUM

Dresser Europe S.p.r.L.
281-283 Chaussee de Bruxelles
281-283 Brusselsesteenweg
1190 Brussels, Belgium
Phone: 32-2-344-0970
Fax: 32-2-344-1123

BRAZIL

Dresser Industria E Comercio Ltda
Divisao Masoneilan
Rua Senador Vergueiro, 433
09521-320 Sao Caetano Do Sul
Sao Paulo, Brazil
Phone: 55-11-453-5511
Fax: 55-11-453-5565

CANADA

Alberta
Dresser Flow Control
DI Canada, Inc.
Suite 1300, 311-6th Ave., S.W.
Calgary, Alberta T2P 3H2
Canada
Phone: 403-290-0001
Fax: 403-290-1526

Ontario
Dresser Flow Control
DI Canada, Inc.
5010 North Service Road
Burlington, Ontario L7L 5R5
Canada
Phone: 905-335-3529
Fax: 905-336-7628

CHINA

Dresser
Suite 2403, Capital Mansion
6 Xinyuannan Road
Chao Yang district
Beijing 100040
Phone: 86-10-6466-1164
Fax: 86-10-6466-0195

FRANCE

Dresser Produits Industriels S.A.S.
Division Masoneilan
4, place de Saverne
92400 Courbevoie
France
Phone: 33-1-49-04-90-00
Fax: 33-1-49-04-90-10

GERMANY

Dresser Valves Europe GmbH
Klein-Kollenburg-Strasse 78-80
47877 Willich, Germany
Mailing Address:
P.O. Box 1208
47860 Willich, Germany
Phone: 49-2156-9189-0
Fax: 49-2156-9189-99

INDIA

Dresser Valve India Pvt. Ltd.
305/306 "Midas" - Sahar Plaza
Mathurdas Vasanji Road
J.B. Nagar - Andheri East
Mumbai, India 400 059
Phone: 91-22-835-4790
Fax: 91-22-835-4791

ITALY

Dresser Italia S.r.L.
Masoneilan Operation
Via Cassano, 77
80020 Casavatore (Naples), Italy
Phone: 39-81-7892-111
Fax: 39-81-7892-208

JAPAN

Niigata Masoneilan Company, Ltd.
20th Floor, Marive East Tower
WBG 2-6 Nakase, Mihama-Ku
Chiba-shi, Chiba 261-7120, Japan
Phone: 81-43-297-9222
Fax: 81-43-299-1115

KOREA

Dresser Korea, Inc.
#2107 Kuk Dong Building
60-1, 3-Ka, Choongmu-ro
Chung-Ku, Soeul, 100705
Phone: 82-2-274-0792
Fax: 82-2-274-0794

KUWAIT

Dresser
P.O. Box 242
Safat 13003, Kuwait
Courier:
Flat No. 36, Floor 8
Gaswa Complex, Mahboula
Kuwait
Phone: 965-9061157

MALAYSIA

Dresser Flow Control - Far East
Business Suite 19A-9-1
Level 9, UOA Centre
No. 19 Jalan Pinang
50450 Kuala Lumpur, Malaysia
Phone: 60-3-2163-2322
Fax: 60-3-2163-6312

MEXICO

Dresser Valve de Mexico, S.A. de C.V.
Henry Ford No. 114, Esq. Fulton
Fraccionamiento Industrial San Nicolas
54030 Tlalnepanitia Estado de Mexico
Phone: 52-5-310-9863
Fax: 52-5-310-5584

THE NETHERLANDS

Dresser Valves Europe
Steenhouwerstraat 11
3194 AG Hoogvliet
The Netherlands
Mailing Address:
P.O. Box 640
NL3190 AN Hoogvliet RT
The Netherlands
Phone: 31-10-438-4122
Fax: 31-10-438-4443

SAUDI ARABIA

Dresser Al Rushaid
Valve & Instrument Company
P.O. Box 10145
Jubail Industrial City 31961
Saudi Arabia
Phone: +966-3-341-0278
Fax: +966-3-341-0696

SINGAPORE

Dresser Singapore, Pte. Ltd.
16, Tuas Avenue 8
Singapore 639231
Phone: 65-861-6100
Fax: 65-861-7172

SOUTH AFRICA

Dresser Ltd., South Africa Branch
P.O. Box 2234, 16 Edendale Road
Eastleigh, Edenvale 1610
Republic of South Africa
Phone: 27-11-452-1550
Fax: 27-11-452-6542

SPAIN

Masoneilan S.A.
C/ Murcia 39 C
08830 Sant Boi de Llobregat
Barcelona, Spain
Phone: 34-93-652-6430
Fax: 34-93-652-6444

SWITZERLAND

Dresser Valves Europe SA
Frauntalweg 76
CH-8045 Zurich, Switzerland
Mailing Address:
P.O. Box 3568
CH-8021 Zurich, Switzerland
Phone: 41-1-450 28 91
Fax: 41-1-450 28 95

UNITED ARAB EMIRATES

Dresser
Middle East Operations
Post Box 61302 (mail)
R/A 8, Units JA01/JA02 (courier)
Jebel Ali Free Zone
United Arab Emirates
Phone: 971-4-8838-752
Fax: 971-4-8838-038

Masoneilan Direct Sales Offices

UNITED KINGDOM

DI U.K. Limited
Trevithick Works
Gillibrands Estate, Skelmersdale
Lancashire WN8 9TU, England
United Kingdom
Phone: 44-1695-52600
Fax: 44-1695-52662

DI U.K.
Unit 4, Suite 1.1, Nobel House
Grand Union Office Park
Packet Boat Lane, Uxbridge
Middlesex UB8 2GH, England
United Kingdom
Phone: 44-1895-454900
Fax: 44-1895-454919

UNITED STATES

Northern Region
Dresser Flow Control
85 Bodwell Street
Avon, MA 02322-1190
Phone: 508-586-4600
Fax: 508-427-8971

Southern Region
Dresser Flow Control
11100 West Airport Blvd.
Stafford, TX 77477-3014
Phone: 281-568-2211
Toll Free: 800-847-1099
Fax: 281-568-1414

South Texas Operations
Dresser Flow Control
4841 Leopard Street
Corpus Christi, TX 78408-2621
Phone: 361-877-2414
Fax: 361-584-1196

Masoneilan Aftermarket
Sales & Service Center
16030 Bear Bayou Drive
Channelview, TX 77530
Phone: 281-862-1500
Fax: 281-862-1550

Western Region
Dresser Flow Control
Masoneilan
2950 East Birch Street
Brea, CA 92821
Phone: 714-572-1528
Fax: 714-572-1463

