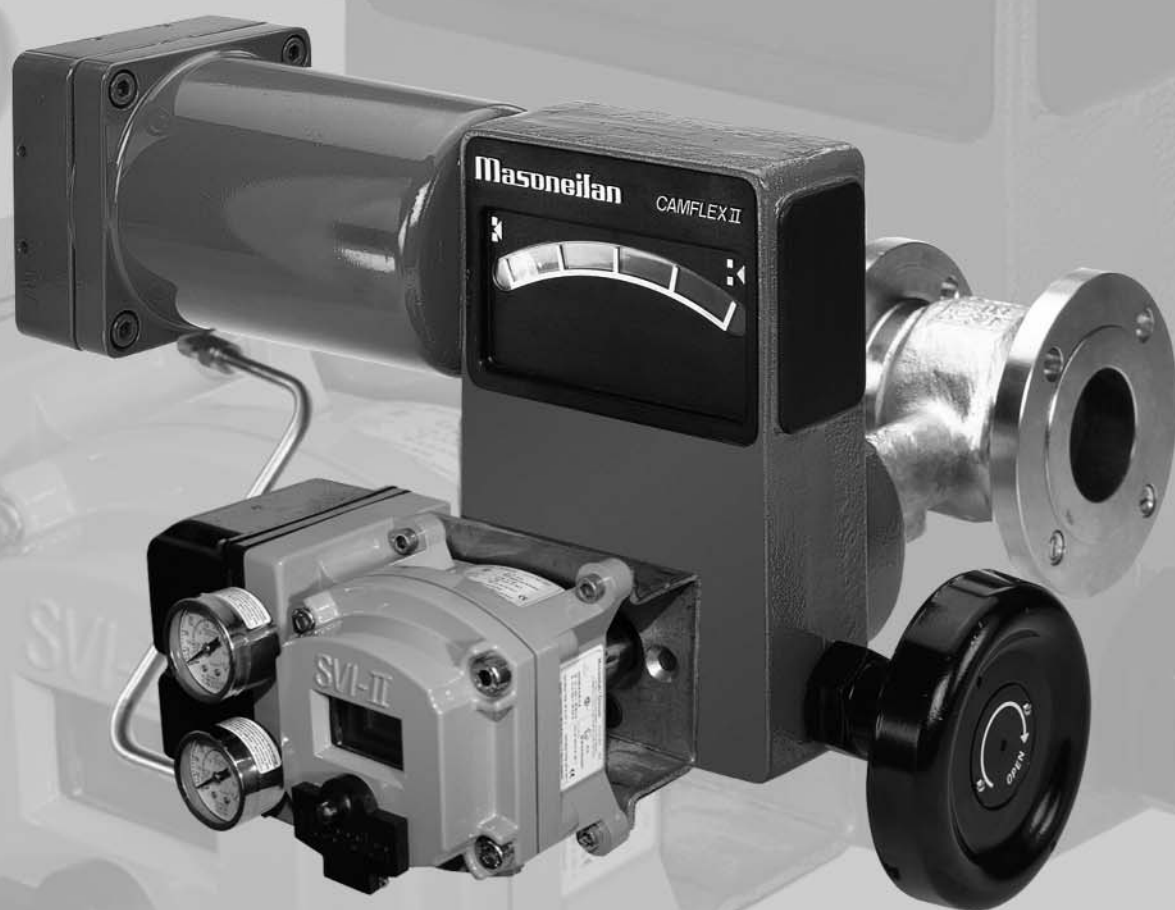


# Masoneilan® 35002 Series Camflex® II Rotary Control Valves

Specification Data

CF5000

03/06



Rugged, All-Purpose  
Rotary Control Valves



## Table of Contents

Features .....	2
Numbering System .....	3
Actuator Mounting Guide .....	4
General Data .....	5-6
Flow Coefficients/Critical Flow Factor .....	6
$C_v$ and $F_L$ vs Travel .....	7-8
Materials of Construction.....	9-12
Dimensions and Weights.....	13-14

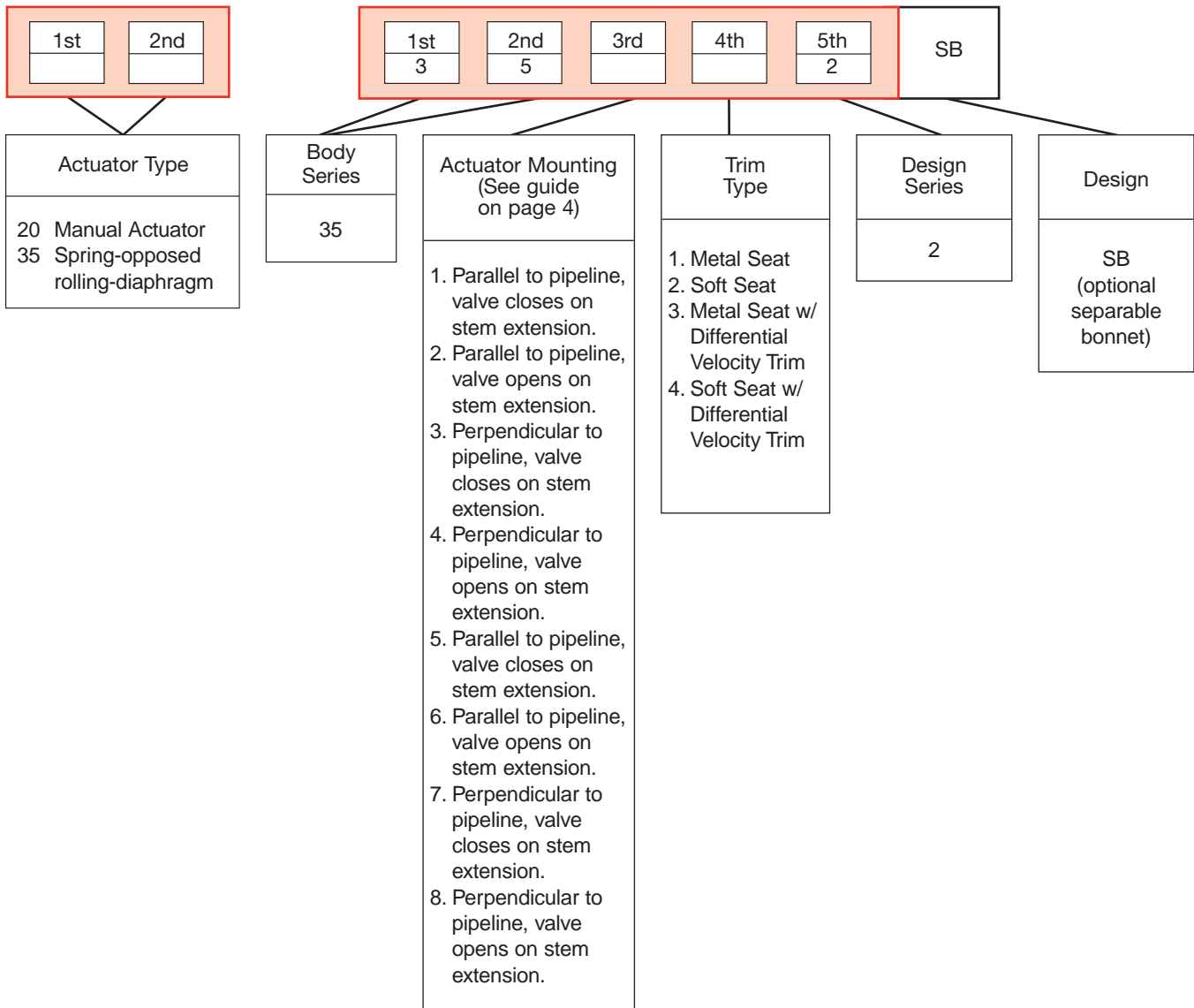
## Features

The Camflex® II is a heavy duty automatic throttling control valve which incorporates the following features:

- Flangeless body rating is a rugged ANSI Class 600.
- Heavy duty guide lugs assure quick, positive alignment during installation.
- Flanged version available 1" through 12" (25mm through 300mm) in 150 or 300 ANSI and 1" through 8" (25mm through 200mm) in 600 ANSI.
- Separable Bonnet design available.
- Straight through flow pattern provides greater flow capacities.
- Standard integral extension bonnet allows for a wide range of fluid temperature applications (-320°F to 750°F), (-195°C to 399°C).
- The unique self-aligning eccentric rotating plug provides tight shut off and low dynamic forces.
- A large variety of reduced trim options are available in all sizes.
- The triple, over-sized bearing system provides exceptional plug shaft guiding.
- Shouldered shaft design.
- Optional patented differential velocity device (DVD) separates compressible flowstreams into a high velocity core and a low velocity envelope flowstream. Provides up to 18dBA noise attenuation.
- Optional alloy constructions are available.
- Powerful, low profile spring diaphragm actuator guarantees positive "fail-safe" action.
- Splined shaft and actuator linkages, combined with low friction techniques, assure minimum deadband and hysteresis.
- Large, highly visible valve position indicator.
- Totally enclosed actuator linkage (purge option available).

Trade names noted throughout are for reference only. Masoneilan reserves the right to supply trade named material or its equivalent.

# Numbering System

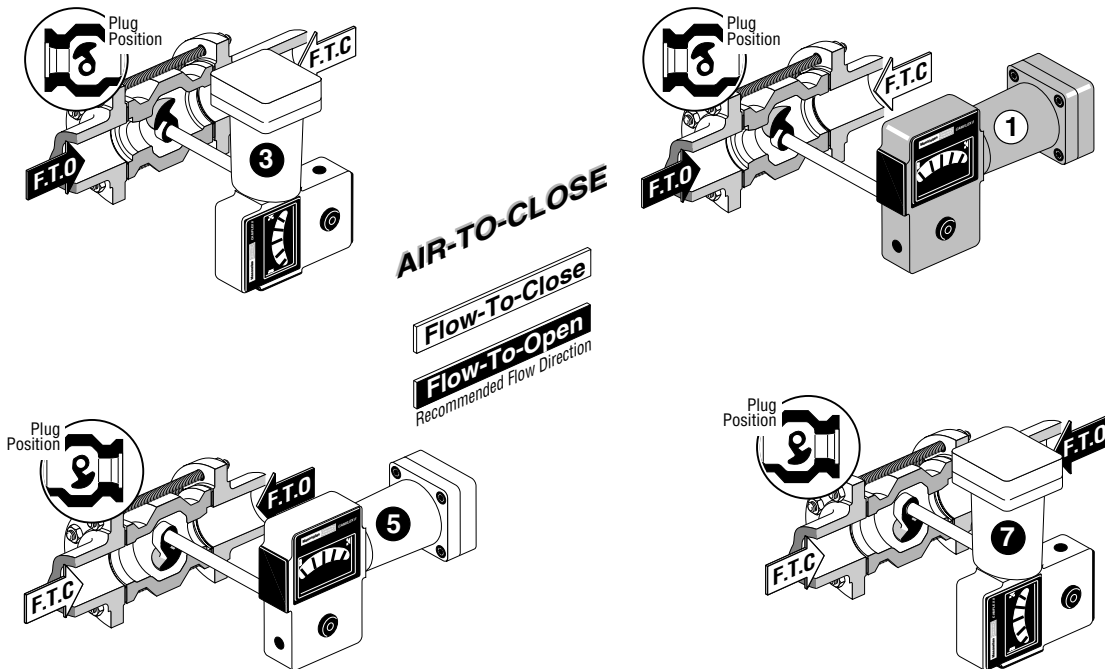
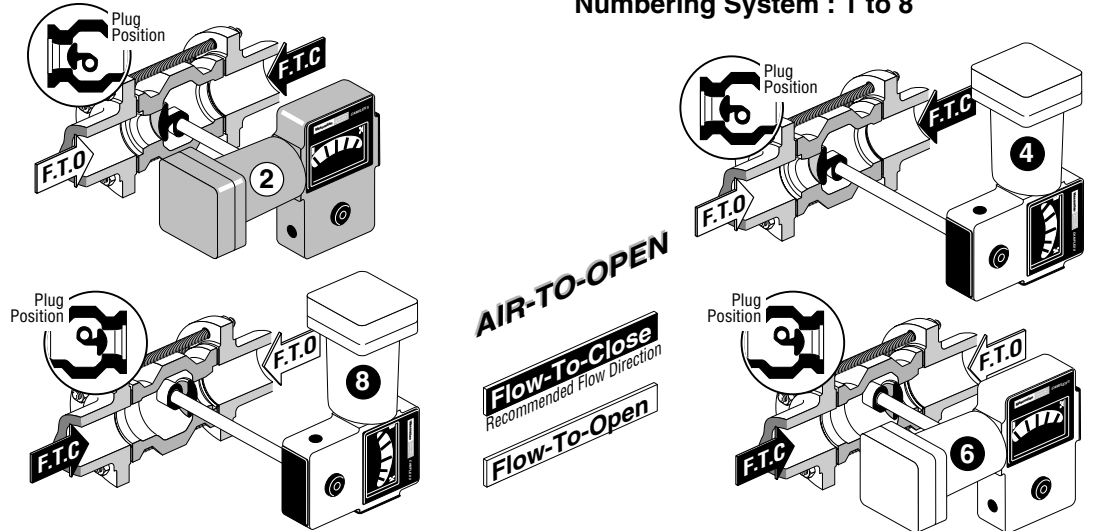


# Actuator Mounting Guide

## CAMFLEX II VALVES (Mounted On Horizontal Pipeline)

3 5 - 3 5 . 0 2

Actuator Position in Relation to Valve Body  
Numbering System : 1 to 8



**Notes:**

1. It is recommended that the actuator always be mounted as shown above. For other positions, consult local sales office.
2. Installation is assumed to be in horizontal pipeline for orientation of airset and other accessories unless specified on order.
3. Action and orientation field reversible without additional parts. See Instruction EF5000.
4. Operating efficiencies may vary depending on valve configuration.
5. The above schematic does not reflect every possible body/actuator orientation, but should serve as an effective guide.

## General Data

### Body

#### Type

- cast with integral bonnet
- cast with separable bonnet - 1"-6" ANSI Class 300 only - optional

#### Flow Direction

- flow to open or flow to close
- (Differential Velocity Device trim flow to open only)

#### Materials

- carbon steel
- 316 stainless steel (flangeless)
- 316L stainless steel (flanged)
- Hastelloy "C" (1"-4")(DN 25-100)

#### Body Pressure Rating

- ANSI Class 600 (per B16.34) standard (1"-12") (DN 25-300) except for flanged construction; valve rating is limited by flange rating

#### End Connections

- threaded - NPT for ANSI Class 600 rated connections (1"-2") (DN 25-50)
- flangeless - clamps between ANSI Class 150, 300 or 600 rated flanges (flange rating must be specified for 8"-12" (DN 200-300) valve for locator lug drilling and tapping)
- flanged - bolts to ANSI Class 150 or 300 rated flanges (1"-12") (DN 25-300) ANSI Class 600 rated flanges (1"- 8") (DN 25-200)

### Trim

#### Plug Type

- self-aligning eccentrically rotating

#### Materials

- 1"-2" (DN 25-100) solid Stellite No.6
- 3"-4" (DN 80 & 100) solid Stellite No.6 optional
- 3"-12" (DN 80-300) 316L stainless steel with hardfaced seating surface
- 1"-4" (DN 25-100) Hastelloy "C"

#### Seat Ring

- solid clamped

#### Materials

- 1"-12" (DN 25-300) 316 stainless steel
- 1"-4" (DN 25-100) Hastelloy "C"
- 3"-4" (DN 75 & 100) optional
- 1"-12" (DN 150-300) 316 stainless steel with hardfaced seat
- 1"-4" (DN 25-100) solid Stellite No.6 optional
- 1"- 12" (DN 25-300) 316 stainless steel with PTFE insert (to 450°F), (232°C)Ⓜ

#### Retainer

- 316 Stainless Steel

#### Capacity

- full area and reduced capacity in all sizes

#### Flow Characteristic

- standard trim - linear
- low flow trim (.036+.07 factor) - linear (requires SVI)
- differential velocity device - linear

#### C<sub>v</sub> Ratio

- standard trim >100:1
- low flow trim 15:1
- differential velocity device >50:1

Ⓜ Not available in .2 factor or Low Flow Trim sizes

### Actuators

#### Spring-Opposed Rolling Diaphragm

#### Size

- 4<sup>1</sup>/<sub>2</sub>" diameter with 3<sup>1</sup>/<sub>2</sub>" (89mm) stroke (1"-2" valves), (DN 25-50)
- 6" diameter with 5<sup>3</sup>/<sub>4</sub>" (146mm) stroke (3"-4" valves), (DN 80-100)
- 7" diameter with 7<sup>1</sup>/<sub>4</sub>" (184mm) stroke (6"-12" valves), (DN 150-300)
- 9" diameter with 9" (229mm) stroke (6"-12" valves), (DN 150-300)

#### Range

- 7-15 psi (1"-4"), (DN 25-100)
- 7-24 psi (6"-12"), (DN 150-300) (7" diameter actuator)
- 7-24 psi (6"-12"), (DN 150-300) (9" diameter actuator, Air to Close)
- 8-25 psi (6"-12"), (DN 150-300) (9" diameter actuator, Air to Open)

#### Air Connection

- 1<sup>1</sup>/<sub>4</sub>" NPT

#### Yoke

- cast iron

#### Bearing

- sealed radial

#### Auxiliary Handwheel

- solid disk with locking nut
- 6<sup>2</sup>/<sub>48</sub>" diameter (1"-4" valves), (DN 25-100)
- 10" diameter (6"-12" valves), (DN 150-300)

### Manual Actuator

#### Type

- solid disk with detent anti-rotation device. Continuously connected

#### Sizes

- 7" (178mm) diameter (1"-2" valves), (DN 25-50)
- 8<sup>1</sup>/<sub>48</sub>" (225mm) diameter (3" & 4" valves), (DN 80-100)
- 16<sup>1</sup>/<sub>48</sub>" (410mm) diameter (6"-12" valves), (DN 150-300)

#### Material

- aluminum

#### Yoke

- cast iron

#### Bearing

- sealed radial ball

## Ratings and Connections

Valve Size		ANSI Class		
in.	DN	150	300	600
1-2	25-50	<sup>3</sup> □ ●	<sup>3</sup> □ ●	<sup>3</sup> □ ●
3-12	80-300	□ ●	□ ●	□ ●

<sup>3</sup> Threaded   □ Flangeless   ● RF Flanged

#### Note:

ANSI Class 600RF Flanged to 8" (200mm) size only. For flangeless valve sizes 8"-12", (200mm-300mm) please specify ANSI Class rating. Face to Face: ISA S75.04

## General Data

### Standard Spring Diaphragm Actuator Materials

Description	Material
Yoke	Cast Iron
Yoke Covers	Polycarbonate
Spring Barrel	Die Cast Aluminum
Diaphragm Case	Die Cast Aluminum
Piston	Die Cast Aluminum
Diaphragm	Buna-N with Dacron Insert
Piston Rod	303 St. St.
Clevis	St. St.
Clevis Pin	17-4 PH (H1075) St. St.
Lever	Steel With Epoxy Surface
Lever Bearing	PTFE Filament Surface Bonded to Glass Reinforced Plastic Backing
Handwheel and Locknut	Aluminum

### Standard Actuator Characteristics and Travel Times

Actuator Diameter		Diaphragm Effective Area		Actuator Stroke		Travel Time (sec.)	
						Increasing Instrument Signal	Decreasing Instrument Signal
in.	mm	sq. in.	cm <sup>2</sup>	in.	cm		
4 <sup>1</sup> / <sub>2</sub>	11.4	14	90	3 <sup>1</sup> / <sub>2</sub>	8.9	1.2	2.4
6	15.2	24	155	5 <sup>3</sup> / <sub>4</sub>	14.6	3	6.3
7	17.8	36	232	7 <sup>1</sup> / <sub>4</sub>	18.4	7.6	9.8
9	22.9	75	483	7 <sup>1</sup> / <sub>4</sub>	18.4	17	24

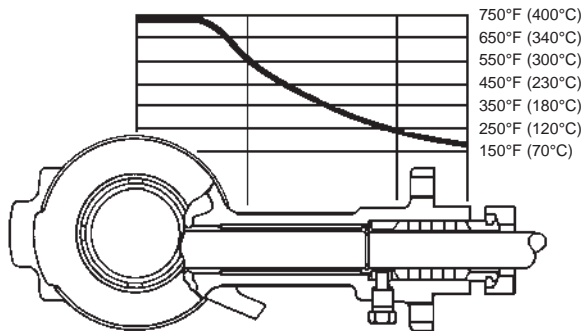
Measured with direct positioner at 30 psi (2 bar) supply  
4700A positioner with tubing size 1/4 in.

### Temperature/Seat Leakage

Valve Size		Seat Type	Temp. Range*		Max. Seat Leakage, ANSI FCI/70.2 Class
in.	DN		Min.	Max.	
1-12	25 to 300	Metal	-320PF* (-196°C)	+750PF (399°C)	IV
		Soft Seat **	-320PF* (-196°C)	+450PF (232°C)	VI

\* For Stainless Steel Bodies Only.

\*\*Temperature Limited by Teflon® Seal.



Temperature Gradient Across Standard Integral Bonnet

The ability of the Camflex valve to handle a wide range of process fluid temperatures is due to the long, integrally-cast bonnet. This affords ample radiation surface to normalize the packing temperatures.

CF5000 SD - 03/06  
35002 Series Camflex® II

### Maximum Rated Flow Coefficients (C<sub>v</sub>) and Critical Flow Factors (F<sub>L</sub>) at Maximum Opening (50°)

Valve Size		Factor	Rated C <sub>v</sub>	F <sub>L</sub>
inches	DN			
1	25	0.036	.5	0.98
		0.07	1	0.98
		0.2	2.8	0.88
		0.4	5.6	0.88
		0.6	8.4	0.88
		1	14	0.85
		DVD	5	
1.5	40	0.4	13.2	0.88
		0.6	19.8	0.88
		1	33	0.85
		DVD	12.5	
2	50	0.4	20	0.88
		0.6	30	0.88
		1	50	0.85
		DVD	18	
3	80	0.4	54	0.88
		0.6	81	0.88
		1	135	0.85
		DVD	48	
4	100	0.4	92	0.88
		0.6	138	0.88
		1	230	0.85
		DVD	78	
6	150	0.4	200	0.88
		0.6	300	0.88
		1	500	0.85
		DVD	181	
8	200	0.4	340	0.88
		0.6	510	0.88
		1	850	0.85
		DVD	308	
10	250	0.4	520	0.88
		0.6	780	0.88
		1	1300	0.85
		DVD	486	
12	300	0.4	700	0.88
		0.6	1050	0.88
		1	1750	0.85
		DVD	684	

Note: Low flow trims (.036+.07 factor) requires use of SVI

## (C<sub>v</sub>) and (F<sub>L</sub>) Versus Travel

Flow Direction: Flow to Close or Flow to Open

Flow Characteristics: Linear

ANSI Class: 150 through 600

Sizes: 1" through 12" (DN 25-300)

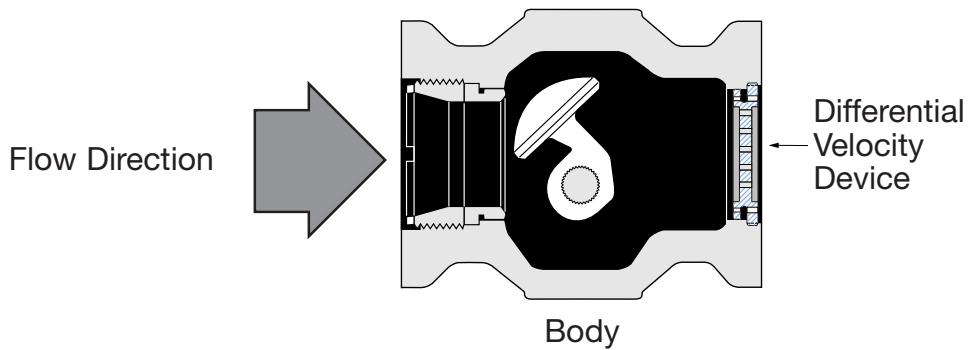
Percent of Plug Rotation					10	20	30	40	50	60	70	80	90	100	
F <sub>L</sub>	Full Area		Flow to Open		0.96	0.93	0.91	0.89	0.88	0.87	0.87	0.86	0.86	0.85	
			Flow to Close		0.94	0.91	0.88	0.83	0.80	0.77	0.74	0.72	0.70	0.68	
	Reduced Area (.6, .4, & .2)		Flow to Open		0.96	0.93	0.91	0.89	0.88	0.88	0.88	0.88	0.88	0.88	
			Flow to Close		0.94	0.91	0.88	0.83	0.80	0.77	0.74	0.72	0.70	0.70	
Valve Size		Orifice Dia.		Act. Stem Travel		Rated C <sub>v</sub>									
in.	DN	in.	mm	in.	mm										
1	25	.321	8.2	3.50	89	0.4	0.8	1.1	1.4	1.7	2.0	2.3	2.5	2.7	2.8
		.500	12.7	3.50	89	0.5	0.9	1.4	2.0	2.7	3.5	4.2	4.8	5.2	5.6
		.579	14.7	3.50	89	0.6	1.3	2.2	3.1	4.2	5.3	6.4	7.2	7.9	8.4
		.718	18.2	3.50	89	0.9	2.1	3.7	5.7	7.8	9.6	11.1	12.4	13.3	14
1 <sup>1/2</sup>	40	.750	19.1	3.50	89	1.1	2.1	3.3	4.7	6.5	8.4	9.9	11.2	12.3	13.2
		.907	23.0	3.50	89	1.4	3.2	5.1	7.4	10.0	12.7	15.0	17.1	18.6	19.8
		1.125	28.6	3.50	89	2.0	5.0	8.6	13	19	22	26	29	32	33
2	50	1.000	25.4	3.50	89	1.6	3.2	5.0	7.2	9.8	12.6	15.0	17.0	18.7	20
		1.159	29.4	3.50	89	2.1	4.8	7.7	11.2	15.1	19.1	22.7	25.8	28.2	30
		1.437	36.5	3.50	89	3.1	7.5	13.3	20.5	28	34.2	39.8	44.2	47.5	50
3	80	1.500	38.1	5.75	146	4.9	9.4	14.1	20.0	26.5	33.5	39.8	45.4	50.2	54
		1.874	47.6	5.75	146	5.7	12.1	19.6	27.6	37.5	47.9	58.4	68.0	75.9	81
		2.324	59.0	5.75	146	8.8	17.7	29.8	44.5	60.7	78.3	96.2	113	127	135
4	100	2.000	50.8	5.75	146	8.4	16.1	24.0	34.1	45.1	57.1	67.8	77.4	85.6	92
		2.419	61.4	5.75	146	9.7	20.7	33.4	47.0	63.8	81.6	99.4	116	129	138
		3.000	76.2	5.75	146	15.0	30.2	50.8	75.8	104	133	164	193	216	230
6	150	3.000	76.2	7.25	184	18.2	34.9	52.2	74.1	98.0	124	147	168	186	200
		3.629	92.2	7.25	184	21.2	44.9	72.7	102	139	177	216	252	281	300
		4.500	114	7.25	184	32.7	65.7	110	165	225	290	356	419	470	500
8	200	3.797	96.4	7.25	184	22.0	44.2	71.9	107	150	196	241	283	317	340
		4.840	123	7.25	184	31.3	63.6	114	178	246	313	374	425	468	510
		6.000	152	7.25	184	42.8	111	201	316	434	542	639	725	798	850
10	250	4.746	121	7.25	184	33.7	67.6	110	164	230	300	369	432	485	520
		6.050	154	7.25	184	47.8	97.3	175	273	376	478	572	650	716	780
		7.500	191	7.25	184	65.5	170	307	483	663	828	977	1109	1221	1300
12	300	5.780	147	7.25	184	45.3	91.0	148	221	309	403	497	582	652	700
		7.460	189	7.25	184	64.4	131	235	367	506	644	769	875	964	1050
		9.250	235	7.25	184	88.1	228	414	650	893	1115	1315	1493	1644	1750

## (C<sub>v</sub>) Versus Travel

Differential Velocity Device (DVD)  
 Flow Direction: Flow to Open only  
 Flow Characteristics: Linear  
 ANSI Class: 150 through 600  
 Sizes: 1" through 12" (DN 25-300)

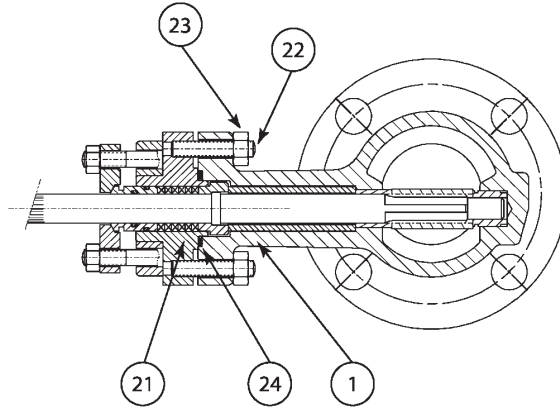
Percent of Plug Rotation						10	20	30	40	50	60	70	80	90	100
Valve Size		Orifice Dia.		Act. Stem Travel											
in.	DN	in.	mm	in.	mm										
1	25	0.579	14.7	3.5	89	0.52	1.04	1.88	2.62	3.23	3.76	4.22	4.58	4.84	5.00
1.5	40	0.907	23.0	3.5	89	1.30	2.60	4.69	6.54	8.06	9.41	10.5	11.4	12.1	12.5
2	50	1.159	29.4	3.5	89	1.88	3.75	6.75	9.42	11.6	13.6	15.2	16.5	17.4	18.0
3	80	1.874	47.6	5.75	146	5.00	10.0	18.0	25.1	31.0	36.1	40.5	43.9	46.4	48.0
4	100	2.419	61.4	5.75	146	8.13	16.3	29.3	40.8	50.3	58.7	65.8	71.4	75.4	78.0
6	150	3.629	92.2	7.25	184	18.9	37.7	67.9	94.7	116	136	153	166	175	181
8	200	4.84	123	7.25	184	32.1	64.2	116	161	199	232	260	282	298	308
10	250	6.05	154	7.25	184	50.6	101	182	254	313	366	410	445	470	486
12	300	7.46	189	7.25	184	71.3	143	257	358	441	515	577	626	661	684

Note: The differential velocity device is used for aerodynamic noise reduction. It must be used with .6 factor trim flow to open.

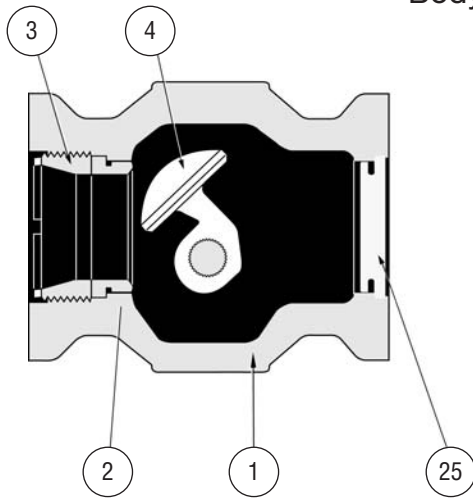




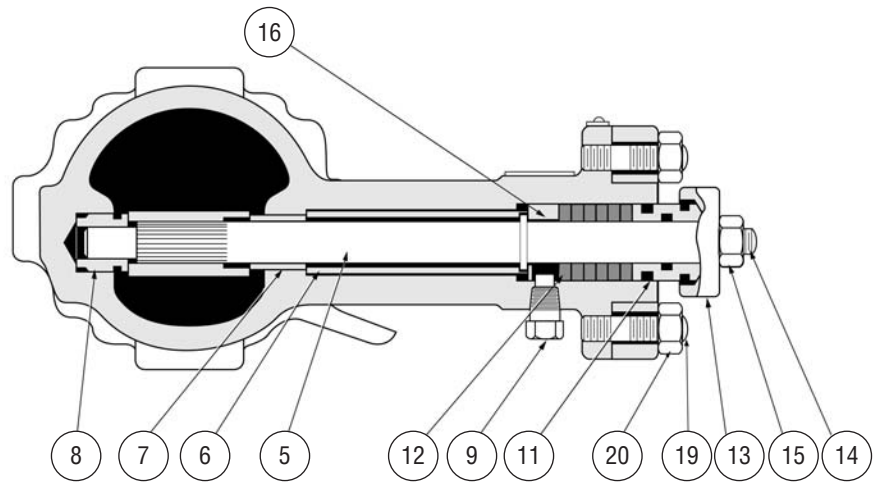
# Materials of Construction



Body with Separable Bonnet

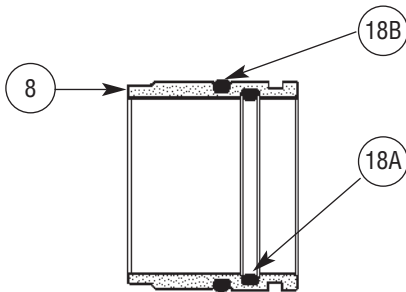


Body

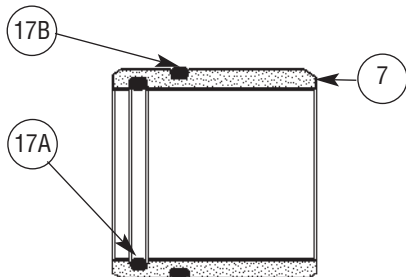


Body with Integral Bonnet

## Optional Slurry Package Seal Bushings



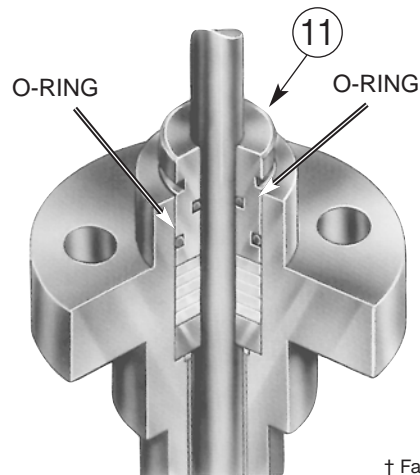
LOWER GUIDE BUSHING



UPPER GUIDE BUSHING

## Standard Camflex Packing Arrangement

EF Seal  
(Emission Free)  
Double O-Ring Seal Packing Follower  
Fugitive Emission Containment Package for Zero Leakage†



Provides long term reliable extremely low emission shaft seal performance. This economical solution to fugitive emissions won't compromise control performance, and is suitable for use in environmentally sensitive applications.

† Factory Mutual Certified Report

# Materials of Construction

## Carbon Steel Construction

Ref. No.	Temperature Range	-20°F	+400°F	+450°F	+750°F
		-29°C	+205°C	+232°C	+400°C
Description		Materials			
1	Body	A216 Gr WCC			
2	Seat Ring	316 St. St. ASTM A351 Gr CF8M			
		316 St. St ASTM A351 Gr CF8M + Stellite Hardfacing Optional			
3	Seat Ring Retainer	316 St. St. ASTM A351 Gr CF8M			
4	Plug	Solid Stellite 1" to 2" (DN 25-50) 316L St. St. ASTM A351 Gr CF3M + Stellite Hardfacing 3" to 12" (DN 80-300)			
5	Shaft	17-4 PH ASTM A564 Gr 630 (H1075)			
6	Spacer	ASTM A312 TY 316			
7	Upper Guide	ASTM A276 TY 440C			
	Upper Guide + O-Ring	STELLITE No.6 + VITON			
8	Lower Guide	ASTM A276 TY 440C			
	Lower Guide + O-Ring	STELLITE No.6 + VITON			
9	Safety Pin	ASTM A479 TY 316			
11	Packing Follower	ASTM A582 TY 303			
	O-Ring Packing Follower	VITON			
12	Packing	PTFE + KEVLAR			
13	Packing Flange	Carbon Steel ASTM A105 Zinc Plated			
14	Packing Flange Stud	304 St. St. ASTM A193 Gr B8			
15	Packing Flange Stud Nut	304 St. St. ASTM A194 GR 8			
16	Packing Box Ring	ASTM A479 TY 316			
19	Body Stud	304 St. St. ASTM A193 Gr B8			
20	Body Stud Nuts	304 St. St. ASTM A194 Gr 8			
21*	Bonnet	Carbon Steel A216 GR WCC			
22*	Body / Bonnet Stud	ASTM A 193 GR B7 Dichromate Zinc Plated			
23*	Body / Bonnet Nut	ASTM A 194 GR 2H Dichromate Zinc Plated			
24*	Body Gasket	AISI 316L + GRAPHITE			
25	DVD Low Noise Plate	ASTM A479 TY 316			

\* Separable Bonnet version only.

## "NACE" Carbon Steel Construction

Ref. No.	Temperature Range	-20°F	+400°F	+750°F
		-29°C	+205°C	+400°C
Description		Materials		
1	Body	Carbon Steel A216 Gr WCC		
2	Seat Ring	316 St. St. ASTM A351 Gr CF8M		
		316 St. St ASTM A351 Gr CF8M + Stellite Hardfacing Optional		
3	Seat Ring Retainer	316 St. St. ASTM A351 Gr CF8M		
4	Plug	Solid Stellite 1" to 2" (DN 25-50) 316L St. St. ASTM A351 Gr CF3M + Stellite Hardfacing 3" to 12" (DN 80-300)		
5	Shaft	ASTM A479 TY 316 St. St		
6	Spacer	ASTM A312 TY 316		
7	Upper Guide	STELLITE No.6		
	Upper Guide + O-Ring	STELLITE No.6 + VITON		
8	Lower Guide	STELLITE No.6		
	Lower Guide + O-Ring	STELLITE No.6 + VITON		
9	Safety Pin	ASTM A479 TY 316		
11	Packing Follower	ASTM A479 TY 316		
	O-Ring Packing Follower	VITON		
12	Packing	PTFE + KEVLAR		
13	Packing Flange	Carbon Steel ASTM A105 Zinc Plated		
14	Packing Flange Stud	304 St. St. ASTM A 193 GR B8		
15	Packing Flange Stud Nut	304 St. St. ASTM A194 GR 8		
16	Packing Box Ring	ASTM A479 TY 316		
19	Body Stud	304 St. St. ASTM A193 Gr B8		
20	Body Stud Nuts	304 St. St. ASTM A194 Gr 8		
25	DVD Low Noise Plate	ASTM A479 TY 316		

Note: Standard materials and processes are in accordance with the requirements of NACE specification MR0103. Applications requiring compliance to MR0175-2003 or ISO 15156 must be reviewed by Masoneilan.

# Materials of Construction

## Stainless Steel Construction

Ref. No.	Temperature Range	Materials			
		-320°F -196°C	-58°F -50°C	+400°F +205°C	+450°F +232°C
1	Body	Flangeless Body 316 St. St. ASTM A351 Gr CF8M Flanged Body 316L St. St. ASTM A351 GR CF3M			
2	Seat Ring	316 St. St. ASTM A351 Gr CF8M 316 St. St. ASTM A351 Gr CF8M + Stellite Hardfacing Optional			
3	Seat Ring Retainer	316 St. St. ASTM A351 Gr CF8M			
4	Plug	Solid Stellite 1" to 2" (DN 25-50) 316L St. St. ASTM A351 Gr CF3M + Stellite Hardfacing N°6 3" to 12" (DN 80-300)			
5	Shaft	316 St. St. ASTM A479 TY 316			
6	Spacer	ASTM A 312 TY 316			
7	Upper Guide	STELLITE No. 6			
	Upper Guide + O-Ring	STELLITE No. 6 + VITON			
8	Lower Guide	STELLITE No. 6			
	Lower Guide + O-Ring	STELLITE No. 6 + VITON			
9	Safety Pin	ASTM A479 TY 316			
11	Packing Follower	ASTM A582 TY 303			
	O-Ring	VITON			
12	Packing	PTFE + KEVLAR			
13	Packing Flange	ASTM A182 GR F304			
14	Packing Flange Stud	304 St. St. ASTM A193 Gr B8			
15	Packing Flange Stud Nut	304 St. St. ASTM A194 Gr 8			
16	Packing Box Ring	ASTM A479 TY 316			
19	Body Stud	304 St. St. ASTM A 193 Gr B8			
20	Body Stud Nuts	304 St. St. ASTM A194 Gr 8			
21*	Bonnet	316L St. St. ASTM A351 Gr CF3M			
22*	Body / Bonnet Stud	304 St. St. ASTM A193 GR B8 CL 2			
23*	Body / Bonnet Nut	304 St. St. ASTM A194 GR 8			
24*	Body Gasket	AISI 316L + GRAPHITE			
25	DVD Low Noise Plate	ASTM A479 TY 316			

\* Separable Bonnet version only.

## "NACE" Stainless Steel Construction

Ref. No.	Temperature Range	Materials			
		-20°F -29°C		+400°F +205°C	+750°F +400°C
1	Body	Flangeless Body 316 St. St. ASTM A351 Gr CF8M Flanged Body 316L St. St. ASTM A351 GR CF3M			
2	Seat Ring	316 St. St. ASTM A351 Gr CF8M 316 St. St. ASTM A351 Gr CF8M + Stellite Hardfacing			
3	Seat Ring Retainer	316 St. St. ASTM A351 Gr CF8M			
4	Plug	Solid Stellite 1" to 2" (DN 25-50) 316L St. St. ASTM A351 Gr CF3M + Stellite Hardfacing 3" to 12" (DN 80-300)			
5	Shaft	ASTM A479 TY 316 St. St.			
6	Spacer	ASTM A312 TY 316			
7	Upper Guide	STELLITE No. 6			
	Upper Guide + O-Ring	STELLITE No. 6 + VITON			
8	Lower Guide	STELLITE No. 6			
	Lower Guide + O-Ring	STELLITE No. 6 + VITON			
9	Safety Pin	ASTM A479 TY 316			
11	Packing Follower	ASTM A479 TY 316			
	O-Ring	VITON			
12	Packing	PTFE + KEVLAR			
13	Packing Flange	ASTM A182 GR F304			
14	Packing Flange Stud	304 St. St. ASTM A193 Gr B8			
15	Packing Flange Stud Nut	304 St. St. ASTM A194 Gr 8			
16	Packing Box Ring	ASTM A479 TY 316			
19	Body Stud	304 St. St. ASTM A 193 Gr B8			
20	Body Stud Nuts	304 St. St. ASTM A194 Gr 8			
25	DVD Low Noise Plate	ASTM A479 TY 316			

Note: Standard materials and processes are in accordance with the requirements of NACE specification MR0103. Applications requiring compliance to MR0175-2003 or ISO 15156 must be reviewed by Masoneilan.

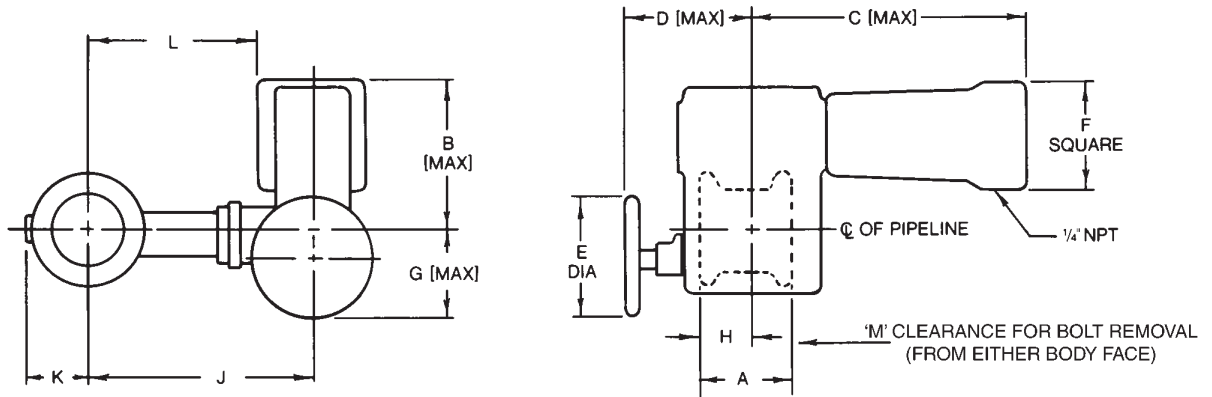
# Materials of Construction

## Hastelloy "C" Construction 1" to 4"

Ref. No.	Temperature Range	-320°F	-58°F	+400°F	+750°F
		-196°C	-50°C	+205°C	+400°C
	Description			Materials	
1	Body			HASTELLOY C	
2	Seat Ring			HASTELLOY C	
				HASTELLOY C + PTFE	
3	Seat Ring Retainer			HASTELLOY C	
4	Plug			HASTELLOY C	
5	Shaft			HASTELLOY C	
6	Spacer			HASTELLOY C	
7	Upper Guide <sup>1</sup>			STELLITE No. 6	
	Upper Guide <sup>1</sup>			ALLOY 25	
	Upper Guide <sup>1</sup>			ULTIMET	
	Upper Guide + O-Ring <sup>1</sup>		STELLITE No. 6 + VITON		
8	Lower Guide <sup>1</sup>			STELLITE No. 6	
	Lower Guide <sup>1</sup>			ALLOY 25	
	Upper Guide <sup>1</sup>			ULTIMET	
	Lower Guide + O-Ring <sup>1</sup>		STELLITE No. 6 + VITON		
9	Safety Pin			HASTELLOY C	
11	Packing Follower			HASTELLOY C	
	O-Ring			VITON	
12	Packing			PTFE + KEVLAR	
13	Packing Flange			ASTM A182 Gr F304	
14	Packing Flange Stud			304 St. St. ASTM A193 Gr B8	
15	Packing Flange Stud Nut			304 St. St. ASTM A194 Gr 8	
16	Packing Box Ring			HASTELLOY C	
19	Body Stud			304 St. St. ASTM A193 Gr B8	
20	Body Stud Nuts			304 St. St. ASTM A194 Gr 8	
25	DVD Low Noise Plate			HASTELLOY C	

1. Material selection must be based on fluid properties and compatibility.

# Dimensions and Weights



### Dimensions (inches)

Valve size		A		B	C	D	E	F	G	H			J	K	L	M			
in.	DN	Threaded ends	Flanged and flangeless							Threaded ends	Flangeless	Flanged				Threaded ends	Flangeless	Flanged	ANSI Class 150 PN 10
1	25	4.00	4.00	6.8	11.5	8.4	6.3	5.5	4.4	2.64	2.64	2.01	8.1	1.5	5.4	6.5	9.0	9.0	9.0
1 1/2	40	5.39	4.50	6.9	11.5	8.4	6.3	5.5	4.4	3.31	2.44	2.32	9.2	2.0	6.5	6.5	10.0	10.0	10.0
2	50	5.75	4.88	6.9	11.5	8.4	6.3	5.5	4.5	3.31	2.44	2.44	9.4	2.6	6.7	10.5	10.5	10.5	10.5
3	80		6.50	10.3	16.8	8.9	6.3	6.9	5.1		3.82	3.39	13.1	3.3	9.6	11.8	13.5	14.0	14.0
4	100		7.62	10.4	16.8	8.9	6.3	6.9	5.2		4.17	4.17	14.0	4.3	10.5	13.0	14.0	16.0	16.5
6	150		9.00	13.0	20.4	12.0	10.0	8.6	8.4		5.00	5.00	17.0	5.8	12.7	15.5	16.0	18.5	18.5
8	200		9.56	13.1	20.4	12.0	10.0	8.6	8.5		5.83	5.83	18.5	8.0	14.2	15.5	18.5	19.5	21.0
10	250		11.69	13.2	20.4	12.0	10.0	8.6	8.6		6.57	6.57	22.6	9.9	18.3	20.0	20.5	22.5	24.5
12	300		13.31	13.3	20.4	12.0	10.0	8.6	8.7		7.24	7.24	24.0	10.9	19.7	20.0	22.5	24.8	25.5

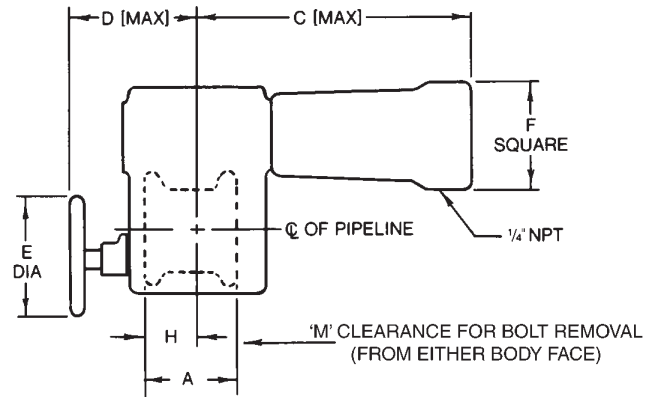
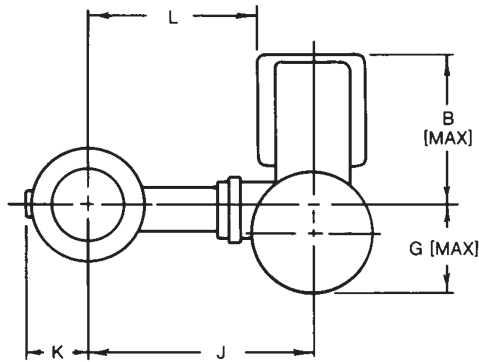
### Weight (lbs.)

Valve size		Actuator size	Flangeless		Flanged Class 150		Flanged Class 300		Flanged Class 600	
in.	DN		Kg	lbs.	Kg	lbs.	Kg	lbs.	Kg	lbs.
1	25	4.5"	17	38	18	41	20	45	20	45
1 1/2	40	4.5"	19	43	22	50	24	54	25	55
2	50	4.5"	20	45	24	54	27	60	28	63
3	80	6"	46	103	52	116	57	129	59	133
4	100	6"	54	121	65	146	73	165	86	133
6	150	7"	103	232	115	259	131	295	156	351
8	200	7"	122	274	140	314	161	363	197	442
10	250	7"	178	400	203	456	236	531		
12	300	7"	222	499	260	586	307	689		
6	150	No.9	131	295	143	321	159	358	184	414
8	200	No.9	150	337	168	377	189	426	225	505
10	250	No.9	206	463	231	519	264	594		
12	300	No.9	250	562	288	648	335	752		

### Specific Dimensions (inches) for the No.9 Actuator

Valve size		B	C	D	E	F	G	L
in.	DN							
6	150	14.69	26.54	12.05	10.00	11.97	8.39	11.02
8	200	14.80	26.54	12.05	10.00	11.97	8.50	12.52
10	250	14.92	26.54	12.05	10.00	11.97	8.62	16.61
12	300	15.04	26.54	12.05	10.00	11.97	8.74	17.99

# Dimensions and Weights



## Dimensions (millimeters)

Valve size		A		B	C	D	E	F	G	H			J	K	L	M			
in.	DN	Threaded ends	Flanged and flangeless							Threaded ends	Flange-less	Flanged				Threaded ends	Flange-less	Flanged	ANSI Class 150 PN 10
1	25	102	102	173	293	213	160	140	112	67	67	51	206	38	137	165	229	229	229
1 1/2	40	137	114	175	293	213	160	140	113	84	62	59	234	51	165	165	254	254	254
2	50	146	124	176	293	213	160	140	115	84	62	62	239	66	170	267	267	267	267
3	80		165	262	426	226	160	175	130		97	86	333	84	244	300	343	356	356
4	100		194	264	426	226	160	175	131		106	106	356	109	267	330	356	406	419
6	150		229	330	517	306	254	218	213		127	127	432	147	323	394	406	470	470
8	200		243	333	517	306	254	218	216		148	148	470	203	361	394	470	495	533
10	250		297	335	517	306	254	218	219		167	167	574	251	465	508	521	572	622
12	300		338	338	517	306	254	218	222		184	184	610	277	500	508	572	630	648

## Weight (Kg)

Valve size		Actuator size	Flangeless		Flanged Class 150		Flanged Class 300		Flanged Class 600	
in.	DN		Kg	lbs.	Kg	lbs.	Kg	lbs.	Kg	lbs.
1	25	4.5"	17	38	18	41	20	45	20	45
1 1/2	40	4.5"	19	43	22	50	24	54	25	55
2	50	4.5"	20	45	24	54	27	60	28	63
3	80	6"	46	103	52	116	57	129	59	133
4	100	6"	54	121	65	146	73	165	83	186
6	150	7"	103	232	115	259	131	295	156	351
8	200	7"	122	274	140	314	161	363	167	442
10	250	7"	178	400	203	456	236	531		
12	300	7"	222	499	260	586	307	689		
6	150	No.9	131	295	143	321	159	358	184	414
8	200	No.9	150	337	168	377	189	426	224	505
10	250	No.9	206	463	231	519	264	594		
12	300	No.9	250	562	288	648	335	752		

## Specific Dimensions (millimeters) for the No.9 Actuator

Valve size		B	C	D	E	F	G	L
in.	DN							
6	150	373	674	306	254	304	213	280
8	200	376	674	306	254	304	216	318
10	250	379	674	306	254	304	219	422
12	300	382	674	306	254	304	222	457

## Notes

# Sales Office Locations

## BELGIUM

Dresser Valves Europe  
Boulevard du Souverain 207 B2  
Vorstlaan,  
B-1160 Brussels, Belgium  
Phone: +32-2-344-0970  
Fax: +32-2-344-1123

## BRAZIL

Dresser Industria e Comercio Ltda  
Divisao Masoneilan  
Rua Funchal, 129 - Conj. 5A  
04551-060 - Sao Paulo - SP Brazil  
Phone: 55-11-2146-3600  
Fax: 55-11-2146-3610

## CANADA

Ontario  
Dresser - Masoneilan  
DI Canada, Inc.  
835 Harrington Court, 2nd Floor  
Burlington, Ontario L7N 3P3,  
Canada  
Phone: 905-335-3529  
Fax: 905-336-7628

## CHINA

Dresser Flow Solutions,  
Beijing Rep. Office  
Suite 1703, Capital Mansion  
6 Xinyuannan Rd. Chaoyang District  
Beijing 100004, China  
Phone: +86-10-8486-4515  
Fax: +86-10-8486-5305

## FRANCE

Masoneilan - Dresser  
Produits Industriels  
Energy 5  
130/190 Boulevard de Verdun  
92413 Courbevoie cedex, France  
Phone: +33-1-4904-9000  
Fax: +33-1-4904-9010

Dresser Produits Industriels S.A.S.,  
Masoneilan  
Customer Service Centre  
55 rue de la Mouche,  
Zone Industrielle  
69540 Irigny, France  
Phone: +33-4-72-39-06-29  
Fax: +33-4-72-39-21-93

## GERMANY

Dresser Valves Europe GmbH  
Heiligenstrasse 75  
Viersen D-41751, Germany  
Phone: +49-2162-8170-0  
Fax: +49-2162-8170-280

Dresser Valves Europe GmbH  
Uhlandstrasse 58  
60314 Frankfurt, Germany  
Phone: +49-69-439350  
Fax: +49-69-4970802

## INDIA

Dresser Valve India Pvt. Ltd.  
305/306, "Midas", Sahar Plaza  
Mathurdas Vasanti Road  
J.B. Nagar, Andheri East  
Mumbai, 400059, India  
Phone: +91-22-8354790  
Fax: +91-22-8354791

Dresser Valve India Pvt. Ltd.  
205, Mohta Building  
4 Bhikaiji Cama Place  
New Delhi, 110 066, India  
Phone: +91-11-2-6164175  
Fax: +91-11-5-1659635

## ITALY

Dresser Italia S.r.l.  
Masoneilan Operations  
Via Cassano, 77  
80020 Casavatore, Napoli, Italy  
Phone: +39-081-7892-111  
Fax: +39-081-7892-208

## JAPAN

Niigata Masoneilan Co. Ltd.  
(NIMCO)  
20th Floor, Marive East Tower  
WBG 2-6 Nakase, Mihama-ku,  
Chiba-shi, Chiba 261-7120 Japan  
Phone: +81-43-297-9222  
Fax: +81-43-299-1115

## KOREA

Dresser Korea Inc.  
2109 Kuk Dong Building 60-1  
3-Ka, Choongmu-ro Chung-Ku  
Seoul, Korea  
Phone: +82-2-2274-0748  
Fax: +82-2-2274-0720

## KUWAIT

Dresser Flow Solutions  
Middle East Operations  
10th Floor, Al Rashed Complex  
Fahad Salem Street, P.O. Box 242  
Safat, 13003, Kuwait  
Phone: +965-9061157  
Fax: +965-3987879

## MALAYSIA

Dresser Flow Solutions  
Business Suite, 19A-9-1, Level 9  
UOA Centre, No. 19, Jalan Pinang  
50450 Kuala Lumpur, West Malaysia  
Phone: +60-3-2161-0322  
Fax: +60-3-2163-3612

## MEXICO

Dresser Valve de Mexico,  
S.A. de C.V.  
Henry Ford No. 114, Esq. Fulton  
Fraccionamiento Industrial  
San Nicolas  
54030 Tlalnepantla  
Estado de Mexico  
Phone: 52-5-310-9863  
Fax: 52-5-310-5584

## THE NETHERLANDS

Dresser Valves Europe  
Steenhouwerstraat 11  
3194 AG Hoogvliet,  
The Netherlands  
Phone: +31-10-438-4122  
Fax: +31-10-438-4443

## RUSSIA

DS Controls  
Nekhinskaya Street, 61  
Veliky Novgorod  
Russia, 173021  
Phone: +7-8162-15-7898  
Fax: +7-8162-15-7921

## SAUDI ARABIA

Dresser AL Rushaid  
Valve & Instrument Co., Ltd.  
(Darvico)  
P.O. Box 10145  
Jubail Industrial City 31961,  
Saudi Arabia  
Phone: +966-3-341-0278  
Fax: +966-3-341-7624

## SINGAPORE

Dresser Singapore Pte Ltd.  
16 Tuas Avenue 8  
Singapore 639231  
Phone: +65-6-6861-6100  
Fax: +65-6-6861-7172

## SOUTH AFRICA

Dresser Limited  
P.O. Box 2234  
16 Edendale Road  
Eastleigh, Edenvale 1610  
Republic of South Africa  
Phone: +27-11-452-1550  
Fax: +27-11-452-6542

## SPAIN

Masoneilan S.A.  
C/Murcia 39 C  
08830 Sant Boi de Llobregat  
Barcelona, Spain  
Phone: +34-93-652-6430  
Fax: +34-93-652-6444

## UNITED ARAB EMIRATES

Dresser Flow Solutions  
Middle East Operations  
P.O. Box 61302  
Roundabout 8  
Units JA01 & JA02  
Jebel Ali Free Zone  
Dubai, U. A. E.  
Phone: +971-4-8838-752  
Fax: +971-4-8838-038

## UNITED KINGDOM

DI U.K. Ltd.  
East Gillibrands  
Skelmersdale,  
Lancashire WN8 9TU, England  
Phone: +44-1695-52600  
Fax: +44-1695-52601

## DI U.K. Ltd.

Unit 4, Suite 1.1, Nobel House  
Grand Union Office Park  
Packet Boat Lane  
Uxbridge, Middlesex UB8 2GH  
Phone: +44-1895-454-900  
Fax: +44-1895-454-919

## UNITED STATES

Dresser - Masoneilan  
85 Bodwell Street  
Avon, MA 02322-1190  
Phone: 508-586-4600  
Fax: 508-427-8971

Dresser - Masoneilan  
4841 Leopard Street  
Corpus Christi, TX 78408-2621  
Phone: 361-877-2414  
Fax: 361-584-1196

## Dresser - Masoneilan

Dresser Direct  
1250 Hall Court  
Deer Park, TX 77536  
Phone: 281-884-1000  
Fax: 281-884-1010

Dresser Flow Solutions  
(Contractor Sales)  
16240 Port Northwest Drive  
Houston, TX 77041  
Phone: 832-590-2303  
Fax: 832-590-2529

## Dresser - Masoneilan

2950 East Birch Street  
Brea, CA 92821  
Phone: 714-572-1528  
Fax: 714-572-1463



CF5000 SD - 03/06  
35002 Series Camflex® II