

**PLASTIC LINED
FULL PORT SS BALL VALVE**
LININGS : PFA FEP PVDF ETFE PP

TECHNICAL SPECIFICATION SHEET

No.

Rev.

ITEM **LINED SS BALL VALVE (FULL PORT)**

Date

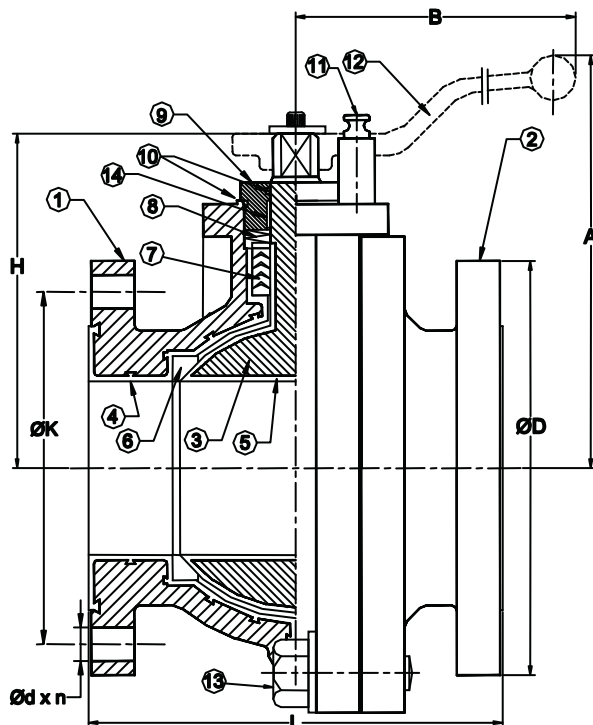
Doc.

GIE-BV2P-SS-PFA

CODE **BV-2P**

DESCRIPTION

Lined Ball Valve two piece ANSI 150# short pattern & full port with extended stem.



Part	Descr.	Material
1, 2	Body A, Body B	<input checked="" type="checkbox"/> ASTM A351 Gr.CF8M <input type="checkbox"/>
3	Ball / stem ⁵	<input checked="" type="checkbox"/> ASTM A351 Gr.CF8M <input type="checkbox"/>
4, 5	Lining	<input checked="" type="checkbox"/> PFA <input type="checkbox"/>
6, 7.	Seat ring, Stem Packing	<input checked="" type="checkbox"/> PTFE <input type="checkbox"/>
8	Disc Spring	Stainless steel
9	Packing Gland	<input checked="" type="checkbox"/> ASTM A351 Gr.CF8M <input type="checkbox"/>
10, 15	Secondary seals	<input checked="" type="checkbox"/> PTFE <input type="checkbox"/>
11	Lever stopper	<input checked="" type="checkbox"/> AISI 304 <input type="checkbox"/>
12	Lever	<input checked="" type="checkbox"/> ASTM A351 Gr.CF8M <input type="checkbox"/>
13	Fasteners	<input checked="" type="checkbox"/> AISI 304 <input type="checkbox"/>
14	Stem adapter	<input checked="" type="checkbox"/> AISI 304 <input type="checkbox"/>

SIZE NB	5" (15)	.75" (20)	1" (25)	1.5" (40)	2" (50)	3" (80)	4" (100)	6" (150)
L	4.37" (111)	4.61" (117)	5" (127)	6.5" (165)	7" (178)	8" (203)	9" (229)	10.5 (267)
B	3.94" (100)	6.89" (175)	6.89" (175)	8.86" (225)	9.84" (250)	11.81" (300)	13.78" (350)	23.62" (600)
ØD	3.50" (89)	3.87" (98.4)	4.25" (108)	5" (127)	6" (152.4)	7.5" (190.5)	9.02" (229)	10.98" (279)
Ød X n	.63" X 4 (16) X 4	.63" X 4 (16) X 4	.63" X 4 (16) X 4	.63" X 4 (16) X 4	.75" X 4 (19) X 4	.75" X 4 (19) X 4	.75" X 8 (19) X 8	.91" X 8 (23) X 8
K	2.37" (60.3)	2.75" (69.8)	3.13" (79.5)	3.87" (98.4)	4.75" (120.7)	6" (152.4)	7.5" (190.5)	9.5" (241.3)
H	2.32" (59)	2.32" (59)	3.39" (86)	4.57" (116)	4.88" (124)	6.14" (156)	7.28" (185)	8.94" (227)
A	3.35" (85)	3.35" (85)	4.92" (125)	6.30" (160)	7.09" (180)	8.66" (220)	9.84" (250)	10.63" (270)
Lin THK Min.	.10" (2.5)	.12" (3)	.12" (3)	.12" (3)	.12" (3)	.12" (3)	.12" (3)	.12" (3)

Flange drilling ⁴ <input checked="" type="checkbox"/> ANSI B16.5 150#	Service conditions		Testing	
	Press.	bar	Hydro.	bar
	Temp.	°C	Seat	bar
Actuation <input checked="" type="checkbox"/> Manual - Lever	Vac.	<input type="checkbox"/>	Spark	KV
	Fluid		Vacuum	mm Hg
			Pneumatic	bar

- Notes**
- All dimensions in inches (mm).
 - Face to Face dimensions as per as per ANSI B16.10 short pattern.
 - Testing as per API 598 / EN 12266 -1
 - Other drilling or rating may be provided on request.
 - Stem connection is double "D" type as per ISO 5211.
 - Design generally as per ANSI B16.34
 - Sketch shown above illustrates only the general assembly and is not to scale.

Customer	
Project	
Consultant	
Reference	
Cust. Spec. No.	

GLOBAL INDUSTRIAL EQUIPMENT, INC.
 2434 Darnell Drive
 Spring Valley, Ohio 45370
 Phone: 888-243-8443, Fax: (937) 862-9501
 Email: sales@gieinc.com, Web: www.gieinc.com