

**GIE Inc. Global Industrial Equipment, Inc.**

**THE ANSWER TO CORROSION**



DESIGN  
QUALITY  
PERFORMANCE

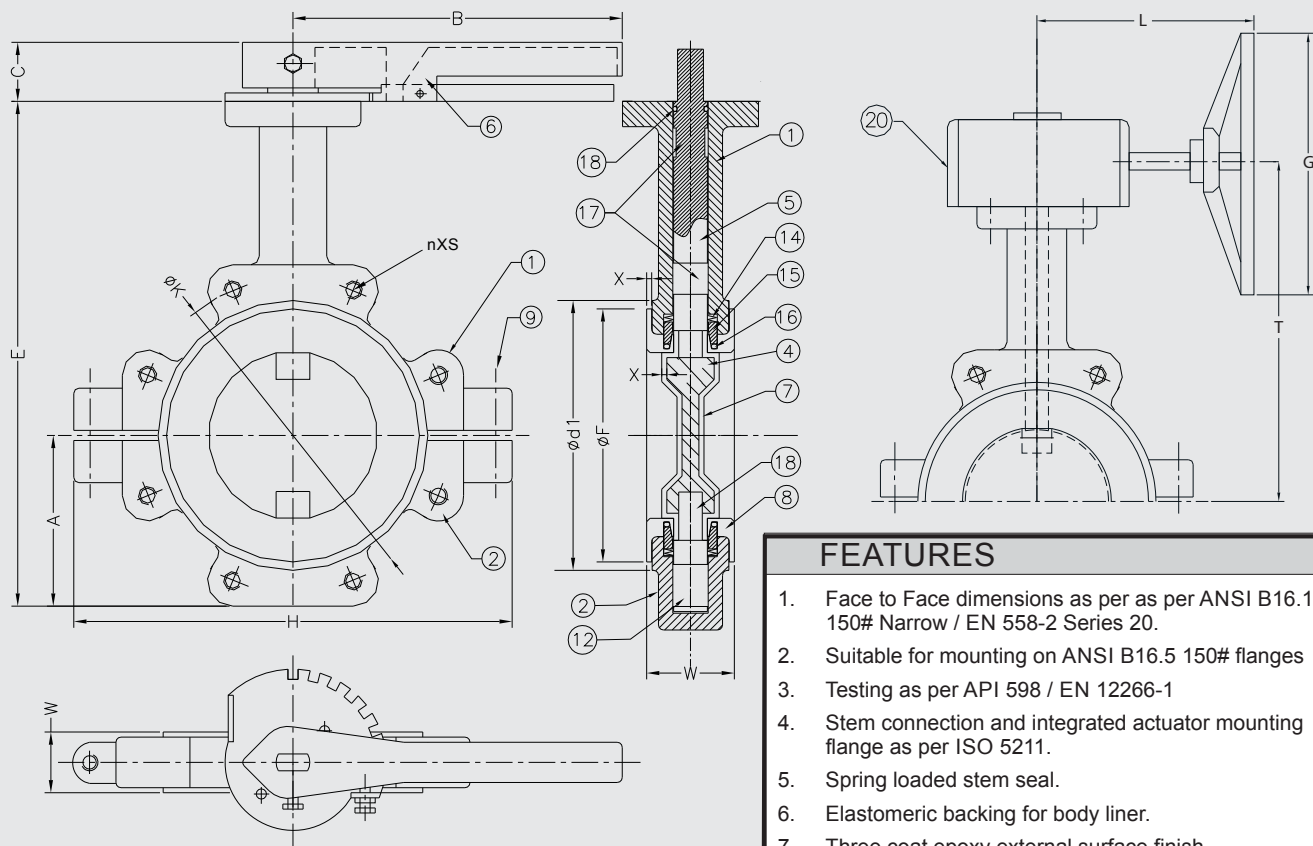


**B O D Y**  
**L I N I N G**  
**P T F E**

**D I S C**  
**L I N I N G**  
**P F A**  
**F E P**  
**P V D F**

**P L A S T I C L I N E D**  
**B U T T E R F L Y V A L V E**  
**L U G - T Y P E**

三千控制阀网  
[www.cv3000.com](http://www.cv3000.com)



### FEATURES

1. Face to Face dimensions as per as per ANSI B16.10 150# Narrow / EN 558-2 Series 20.
2. Suitable for mounting on ANSI B16.5 150# flanges
3. Testing as per API 598 / EN 12266-1
4. Stem connection and integrated actuator mounting flange as per ISO 5211.
5. Spring loaded stem seal.
6. Elastomeric backing for body liner.
7. Three coat epoxy external surface finish.
8. Direct mounting of manual geared or pneumatic actuator for automation.

SIZE	BUTTERFLY LUG TYPE												LIN.THK
	E	C	B	G	L	T	H	A	W	Ød1	ØF	n X S	INCH
2"	7.95	1.50	8.27				6.50	2.44	1.69	4.02	3.86	4 X 5/8"- 11	0.12
2.5"	8.66	1.50	8.27				7.48	2.76	1.81	4.76	4.72	4 X 5/8"- 11	0.12
3"	9.60	1.50	8.27				8.90	3.11	1.81	5.24	5.00	4 X 5/8"- 11	0.12
4"	10.83	1.50	11.81				10.43	2.56	2.05	6.38	6.26	8 X 5/8"- 11	0.12
5"	11.93	1.50	11.81				11.81	4.25	2.20	7.56	7.36	8 X 3/4"- 10	0.12
6"	13.23	1.70	19.69	9.84	9.45	10.04	12.91	4.76	2.20	8.58	8.50	8 X 3/4"- 10	0.16
8"	15.55			9.84	9.45	11.22	15.75	5.91	2.36	10.75	10.63	8 X 3/4"- 10	0.16
10"	18.07			13.78	11.22	12.25	18.70	7.05	2.68	12.92	12.76	12 X 7/8"- 9	0.16
12"	21.10			19.69	14.17	14.76	21.26	8.50	3.07	14.88	14.76	12 X 7/8"- 9	0.16
14"	25.20			19.69	13.98	17.32	25.20	10.43	3.62	17.24	16.25	12 X 1"- 8	0.16
16"	28.54			19.69	13.98	19.09	28.35	12.00	4.02	19.25	18.50	16 X 1"- 8	0.16
18"	30.71			23.62	13.00	20.94	29.53	12.60	4.49	21.22	20.98	16 X 1 1/8"- 7	0.16
20"	34.65			23.62	13.00	22.91	32.68	14.57	5.00	23.39	22.99	20 X 1 1/8"- 7	0.16

No.	Part	Material (Standard)	Option
1, 2	BODY A, BODY B,	Ductile Iron ASTM A395 60-40-18	ASTM A216 WCB / A351 CF8 / A351 CF8M
4,5	DISC, STEM	Stainless steel, 304	Stainless steel, 316
18	BOTTOM STEM	Stainless steel, 304	Stainless steel, 316
6	LEVER ASSEMBLY	Ductile Iron ASTM A395 60-40-18	ASTM A216 WCB / A351 CF8 / A351 CF8M
7	DISC LINING	PFA	FEP / PVDF
8	BODY LINER	PTFE	Modified PTFE (TFM / NXT)
9	FASTENERS	Stainless steel	High tensile alloy steel
10	BODY LINER BACKING	VITON®	EPDM, Silicone
12,17	BEARING	DU BUSH (PTFE impregnated)	
14	DISC SPRING	Stainless steel	
15	PUSHER	Stainless steel, 304	Stainless steel, 316
16,19	O-RING	Viton®	
20	GEARBOX		

Notes:  
 1. All dimensions in inch.  
 2. Valve Sizes up to 12" provided with single piece disc & stem.  
 3. Valve sizes up to 6" can be provided with manual lever.  
 4. Face to face dimensions of 14" as per ANSI B16.10 150# Wide.

**GIE Inc. Global Industrial Equipment, Inc.**

**ADMIN. OFFICE**  
 2434 Darnell Drive  
 Spring Valley, Ohio 45370

Phone: 937-862-9500  
 Fax: (937) 862-9501  
 Email: sales@gieinc.com  
 Website: www.gieinc.com

**DISTRIBUTED BY**

三千控制阀网  
 www.cv3000.com