



Kämmer® Series 025000

Split Body Valves



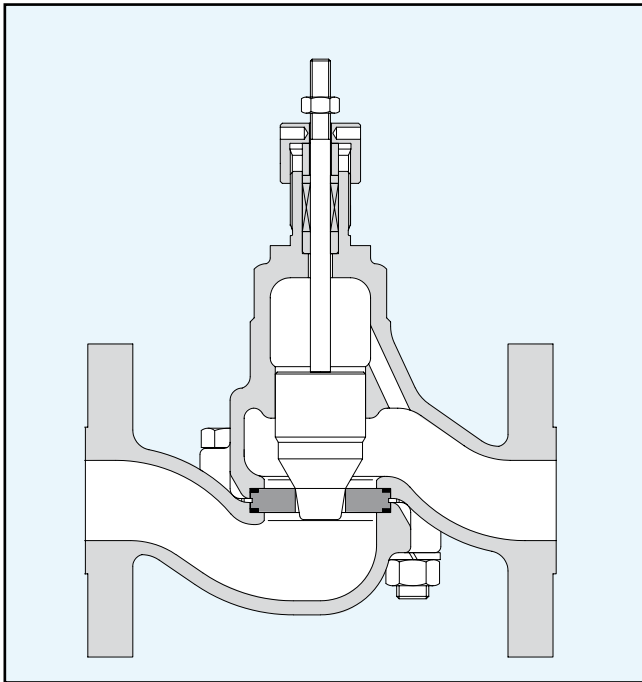
Experience In Motion

三千控制阀网
www.cv3000.com

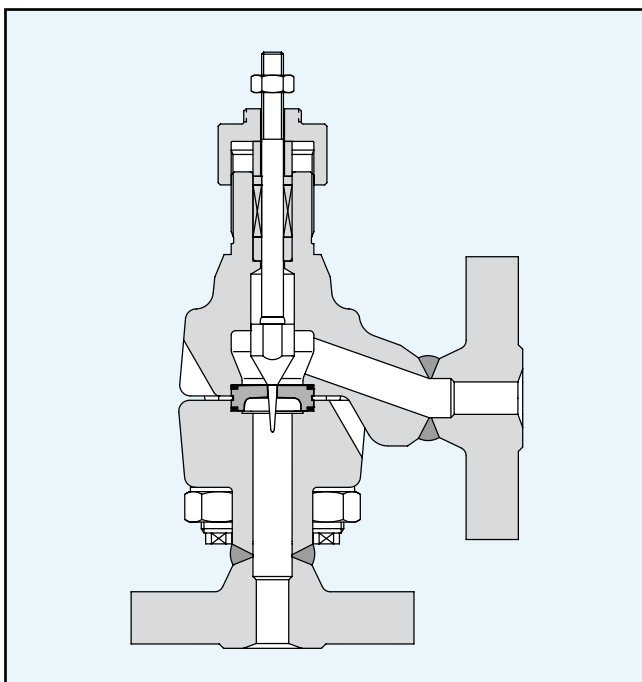
Series 025000

Description

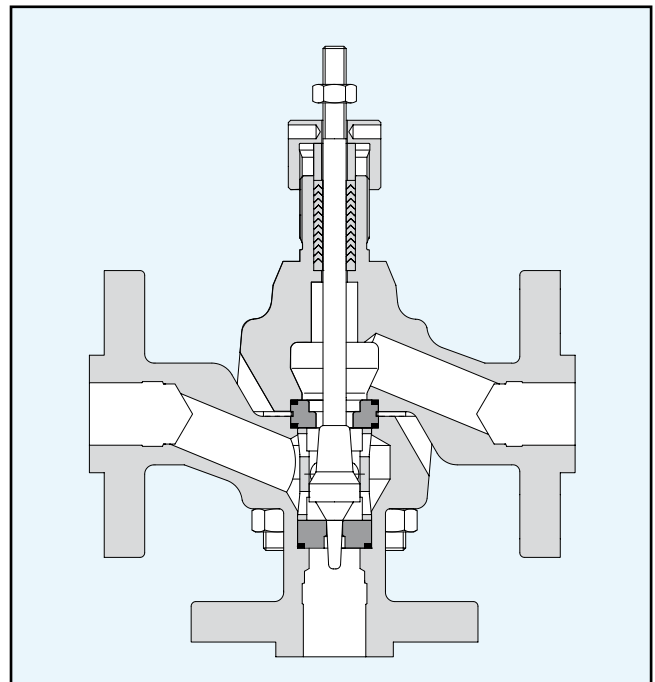
Kämmer Series 025000 are split body style valves manufactured from forged material. This engineering design easily adapts to meet application requirements. Furthermore this design makes the valves easy to clean and maintain.



Serie 025000 globe valve



Serie 027000 angle valve



Serie 028000 3-way valve

Series 025000

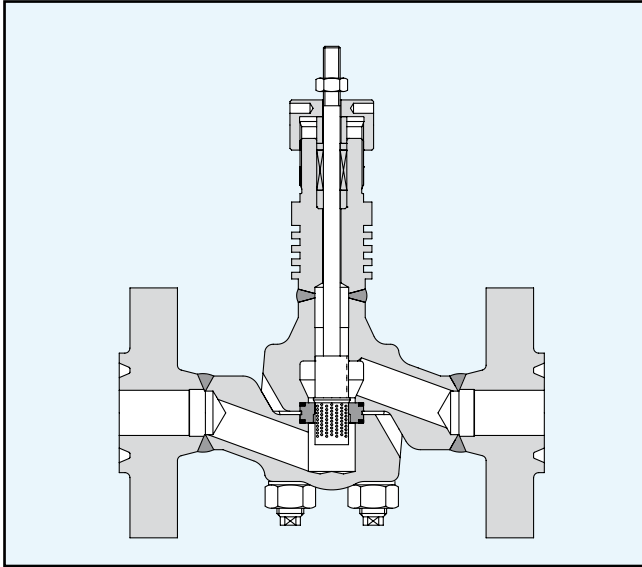
Technical Data

Valve body styles	Globe, angle, 3-way valves	
Characteristics	Equal%. linear On-Off	
Rangeability	See table on page 5	
Seat leakage, standard	≤ 0.01 of rated K_{vs} value, class IV acc. to DIN IEC 534 - higher requirements on request	
Material for plug / seat ring	See table on page 5	
PTFE soft seat (T = max. 150 °C)	Valve seat with PTFE insert for K_{vs} 0.1 - 10	
Packing	PTFE for temperatures up to +200 °C Grafoil for temperatures over +200 °C PTFE packing for oxygen service Packing according to German clean air act (TA-Luft)	
Body gaskets	PTFE for temperatures up to +200 °C Grafoil/G7 for temperatures over +200 °C	
Extensions	Standard, normalising fins, bellows seal, cryogenic	
K_{vs} values	See table on page 5	
Body materials	316Ti (forged) or CF8M (cast)	
Connections*		
DIN sized flanges:	25	
PN 40	X	
PN 63 - 400	X	
ANSI size:	1"	
Class 150 - 300	X	
Class 600 - 2500	X	
Threaded	ISO 228 - G 1" or NPT 1" , PN 10 - 400	

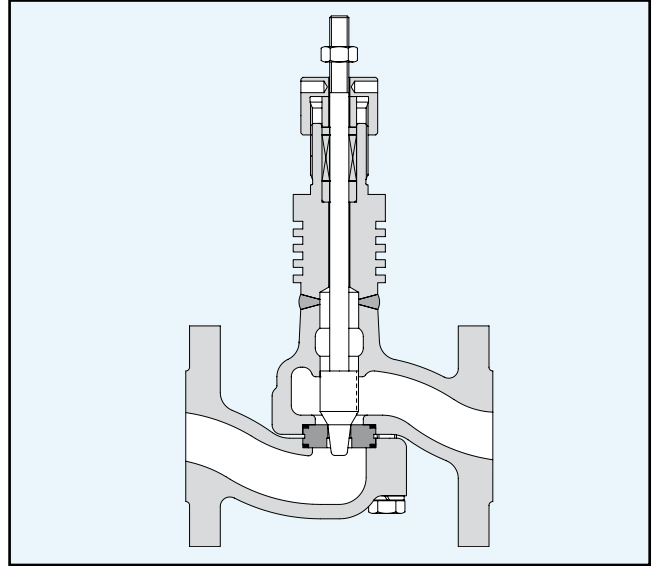
*Tube fittings, weld ends and other connections on request.

Series 025000

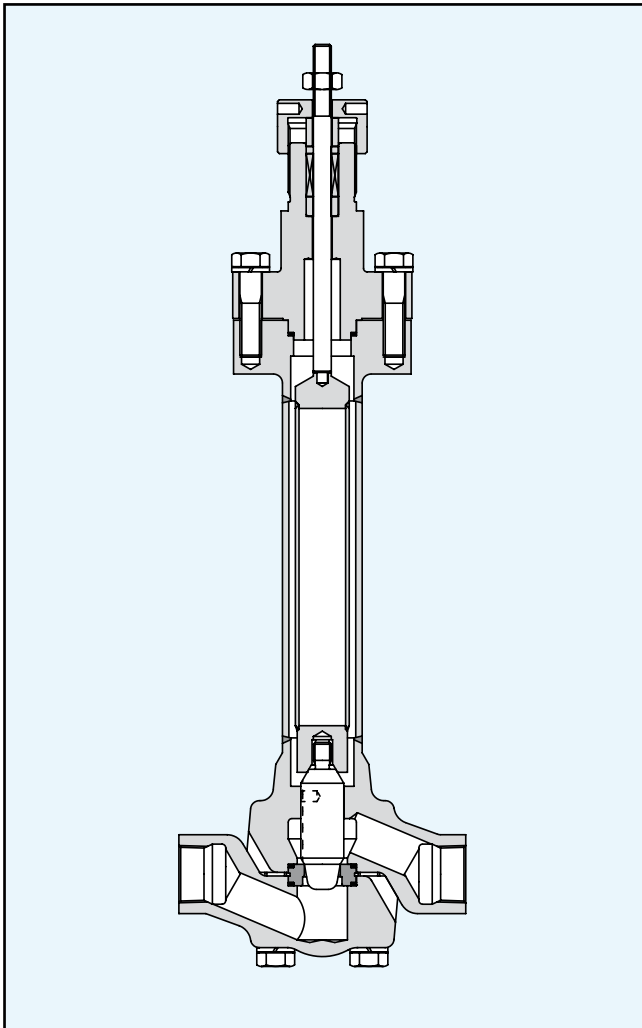
Extension Designs



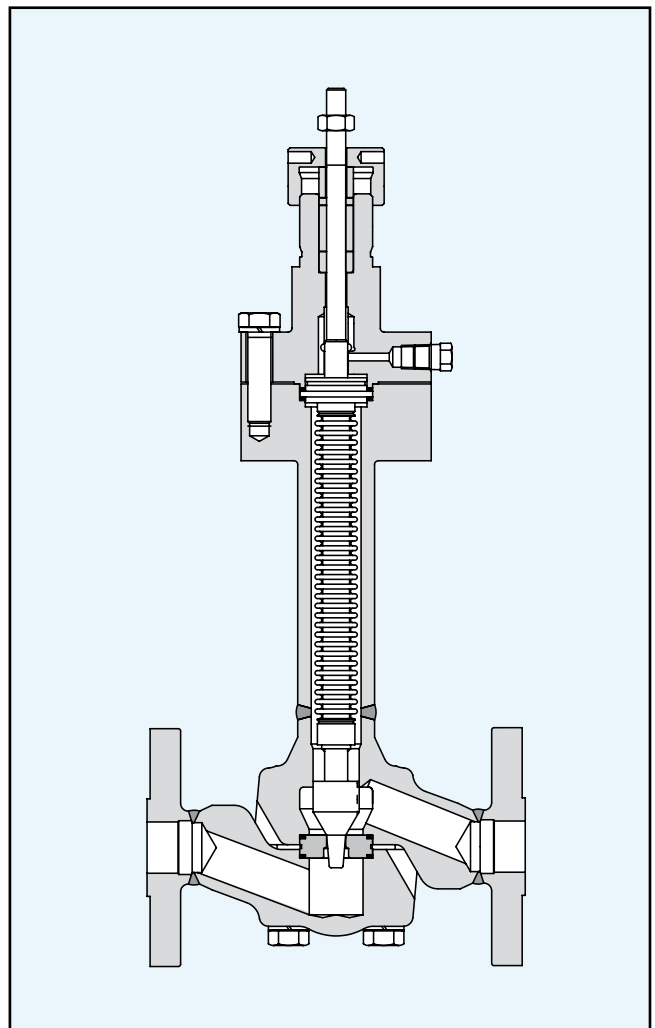
Valve with normalising fins and low noise cage trim



Normalising fins -30 to 0 °C and +200 to +400 °C



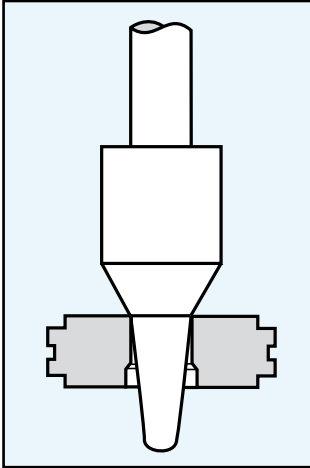
Valve with cryogenic extension



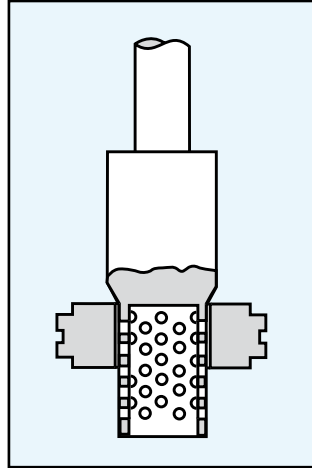
Valve with bellows seal

Series 025000

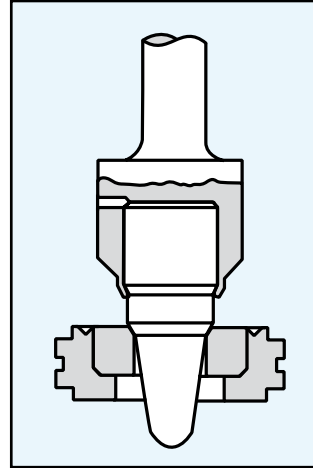
Trim Designs



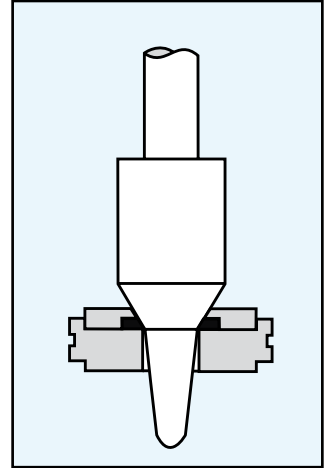
Standard trim



Low noise cage trim



Ceramics or tungsten carbide plug tip and seat



Trim with PTFE soft seat
(T = max. 150 °C)

Standard K_{VS} -Values

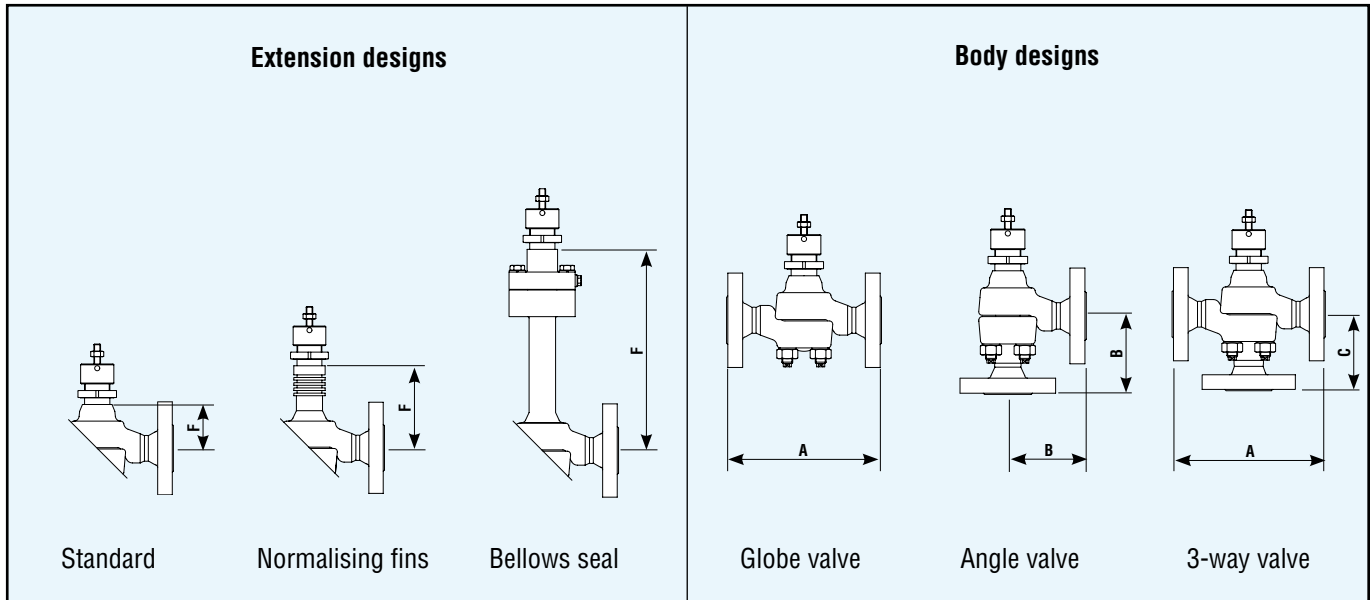
		K_{VS} -value	Seat diameter (mm)	Rangeability*	Seat material** (standard)	Plug material** (standard)
Size DN	25 / 1"					
Stroke (mm)	20					
Stem diameter (mm)	10					
		0.10	4.5	50:1	1.4571	1.4571
		0.16	4.5			
		0.25	4.5			
		0.40	4.5			
		0.63	4.5			
		1.0	7.0			
		1.6	7.0			
		2.5	10			
		4.0	12			
		6.3	16			
		10	20			

* For calibrating conditions. Further special K_{VS} -values on request.

** Alloy 6, Hastelloy C, ceramics, tungsten carbide optional

Series 025000

Dimensions (mm)



Dimension „F“

Valve size DN	Standard	Fins PN 10 - 40	Bellows	
			PN 40	PN 63 - 250
25 / 1"	65	125	230	300

Dimensions for valves with cryogenic extensions on request.

Dimension „A“

Valve size DN	Threaded PN 10 - 400	DIN Flange, PN			ANSI Flange (RF)*, Class			
		40	63 - 160	250 - 400	150	300	600	900 - 2500
25 / 1"	160	100	115	260	92	98	105	254

Dimension „B“

Valve size DN	Threaded PN 10 - 400	DIN Flange, PN			ANSI Flange (RF)*, Class			
		40	63 - 160	250 - 400	150	300	600	900 - 2500
25 / 1"	80	160	230	130	184	197	210	127

Dimension „C“

Valve size DN	Threaded PN 10 - 400	DIN Flange, PN			ANSI Flange (RF)*, Class			
		40	63 - 160	250 - 400	150	300	600	900 - 2500
25 / 1"	80	100	115	130	92	98	105	127

* Face-to-face dimensions of valves with other flange facings on request.

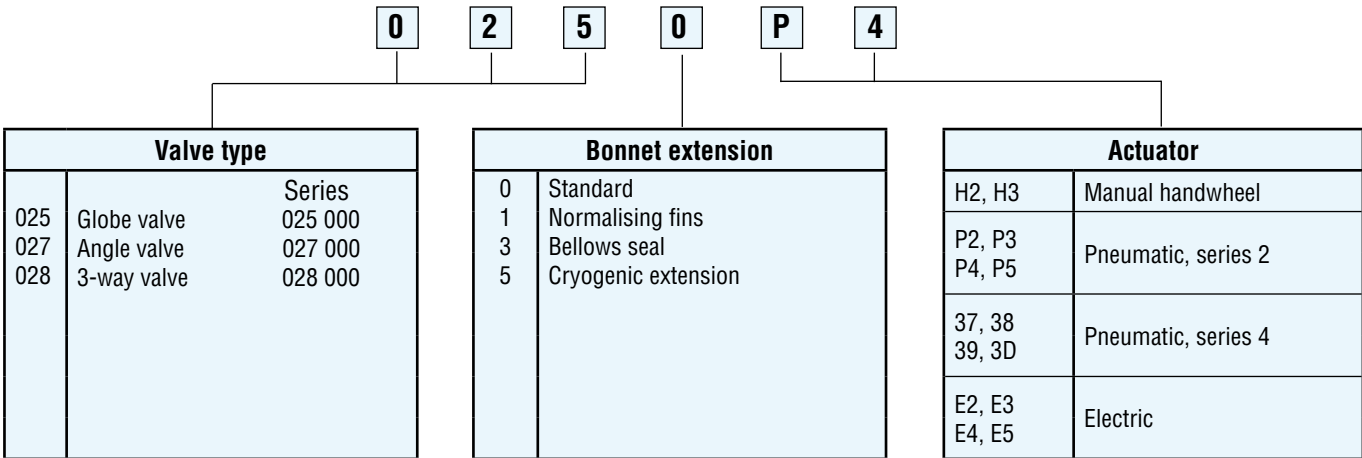
Series 025000

Weights (kg)

Valve series	Threaded PN 10 - 100	DIN Flange, PN			ANSI Flange, Class			
		10 - 40	63 - 160	250 - 400	150	300	600	900 - 2500
025000 Standard	5.4	5.9	9.7	14.0	5.7	6.7	7.2	14.2
025100 Fins	6.1	6.6	10.4	14.7	6.4	7.4	7.9	14.9
025300 Bellows	8.9/12.9	9.4	16.7	20.0	9.2	10.2	13.2	20.2

Weights for valves with cryogenic extensions upon request.

Valve Code





Flowserve
Kämmer Ventile
Manderscheidtstr. 19
45141 Essen
Germany
Telephone: +49 (0) 201 8919 5
Facsimile: +49 (0) 201 8919 662

Your contact:



KMEEBR2520-00 06.06

All data subject to change without notice.

©08.2000 Flowserve Corporation. Flowserve and Kämmer are trademarks of Flowserve Corporation