

600M 衬胶蝶阀 Rubber Seated Butterfly Valves

概要

600M 衬胶蝶阀是一种结构简单，易于操作，使用寿命长且重量轻的调节阀，可用于开关和调节的场合。适用于化工，医药，食品，造纸，水处理等行业中气体，液体，浆料，固体粉末等流体的控制。

GENERAL

Wafer type rubber seated butterfly valves has been developed as a result of making great efforts to offer a fully function, easy handling, long life and cost effective performance. It features a simple and compact structure, and extremely light-weight body. It enable to make control, also enable to shut off. It can be used for gas, liquid, oar, powder, and granule fluids in chemical, food, pharmaceutical, paper and pulp, water processing industries and so on.

标准规格 STANDARD SPECIFICATIONS

本体部 BODY

型号 Series	600M
公称口径 Body size	2" ~ 24" (50A ~ 600A 即 DN50 ~ DN600)
阀板形状 Disc form	挡板形 Damper type
阀内件材质 Trim materials	标准材质组合及使用温度，请参见表 1。
阀内件处理 Trim treatment	See Table1 for hardening treatment and operating temperature.
公称压力 Body ratings	JIS 5K、JIS 10K、ANSI Class 150、PN 10*
连接方式 Body connections	对夹式 Wafer type
尺寸 Dimension	请参见第 7 ~ 16 页。 See pages 7 ~ 16.
阀体及上阀盖材质 Body & Bonnet Material	FC300, FCD450, SCPH2/WCB, SCS13A/CF8, SCS14A /CF8M , and other alloy steels.
上阀盖形式 Bonnet type	标准型 (与阀体一体铸造) Standard type (Casted with body)
填料 Packing	O 形圈 O ring
表面涂层色 Painting color	阀体材质为 FC300 时涂黑色漆；FCD450 时涂墨绿色漆；碳钢时涂银灰色漆（环氧树脂）。但是阀体材质为不锈钢时，本体部不加涂层。 In the case of FC300 body, Black is standard; FCD450 body, Black-Green is standard; Carbon steel body, Munsell N-6 (Epoxy resin group) is standard; Stainless steel body, no painting is standard.

* PN 10 表示 JB/T79.1-94(或 HG20596-97) PN 1.0MPa RF。

执行机构 ACTUATOR

规格 Specification	型号 Type	气缸式 Pneumatic cylinder type	
		6300RB, 7300RB	
		单动作型 Spring return type	双动作型 Double acting type
用途 Purpose		开关 On-off	
供气压力 Air supply		300, 400, 500 kPa G	300 ~ 500 kPa G
接口 Connection		Rc 1/4, Rc 3/8, Rc 1/2, Rc 3/4	
回转角度 Angle rotation		90 deg	
正作用 Direct action		气压增加阀闭 Air to valve shut	随输入信号增加阀开或阀闭。 Valve open or shut by air signal.
反作用 Reverse action		气压增加阀开 Air to valve open	
允许环境温度 Ambient Temp.		- 20 ~ + 60	
表面涂层色 Painting color		6300RB : 气缸 Cylinder.....Alodur (Special hard anodized) : Gray 气缸盖 End cap Chromatized + Polyester coated : Gray 7300RB : 银色环氧树脂 Munsell : N-6	
选购设备 Option		过滤减压阀、电磁阀、限位开关、调速器、锁止阀、限位件、手动操作机构等。 Air-set, Solenoid valve, Limit switch, Position transmitter, Lock valve, Speed controller, Rotation stopper, Manual handle, etc.	

规格 Specification	型号 Type	全电子式 Solid State Electronic Type	电动式 Electric Motor Type	
		3600RA	3400RA	Unic Series
		交流电机 分辨率: 0.8% AC Motor resolution: 0.8%	交流可逆电机 AC Motor	
用途 Purpose		调节 Modulation	开关 On-off	
供电电压 Power supply		220V 50/60Hz	220V 50/60Hz	
输入信号 Input signal		4 ~ 20 mA DC	正反切换接点 Change over contact	
电源接口 Wiring conduit		2-G1/2, (D Series 2-G3/4)		2-G1/2
回转角度 Angle rotation		90 deg	90 deg	
正作用 Direct action		输入信号增加阀闭 Signal increase to valve shut	阀开、阀闭、停止 Manual selection Valve open, shut, stop	
反作用 Reverse action		输入信号增加阀开 Signal increase to valve open		
滞后 Hysteresis		0.8% FS 0.8% of full stroke	—	
直线性 Linearity		±1% FS ±1% of full stroke	—	
允许环境温度 Ambient Temp.		- 10 ~ +60	- 10 ~ +60	
标准涂层色 Painting color		S 型 P4417 (蓝色) Metallic blue	S 型 P4417 (蓝色) Metallic blue	
选购设备 Option		内置式加热器, 过载保护装置, 接线盒, 扭矩开关, 手动操作机构。 Space heater, Overload protection, Junction box, Torque switch, Manual handle.		

规格 Specification	型号 Type	电动式 Electric Motor Type		手动式 Manual Operators	
		LQA Series	802 Series	手柄式 Lock Lever Type	蜗轮蜗杆式 Worm Gear Type
		交流可逆电机 AC Motor		—	
用途 Purpose		开关 On-off		调节、开关 Modulation or On-off	
供电电压 Power supply		380V 50/60Hz		—	
输入信号 Input signal		正反切换接点 Change over contact		—	
电源接口 Wiring conduit		—		—	
回转角度 Angle rotation		90 deg		90 deg	
正作用 Direct action		阀开、阀闭、停止 Manual selection Valve open, shut, stop		—	
反作用 Reverse action					
允许环境温度 Ambient Temp.		- 10 ~ +60		- 20 ~ +60	
标准涂层色 Painting color		蓝色 Blue		黑色 Black	

* 可选择其它厂家的电动执行机构。

Can be selected other factory's electric motor type actuator.

性能 PERFORMANCE

额定 Cv 值 Rated Cv	请参见表 3。	See Table 3.
流量特性 Flow characteristics	固有特性	Inherent characteristic
阀座泄漏量 Seat Leakage	无泄漏	Tight shut off
允许压差 Allowable pressure drops	请参见表 4。	See Table 4.

特殊规格（有償） OPTIONAL SPECIAL SPECIFICATIONS (Additional cost is required)

本体部特殊检查 Special testing for body	材料检查 {液体渗透探伤检查 (PT)、放射线检查 (RT)}、流量特性检查、低温试验、蒸汽试验 Material certificate, Liquid penetrant testing, Radiographic testing, Flow characteristic testing, Low temperature testing, Steam testing.
本体部特殊清洗 Special cleaning for body	完全禁油、除水处理 Oxygen clean, Oil-free, Water-free
本体部及执行机构特殊规格 Special specification for body and actuator	防砂、防尘型、防盐腐蚀型、寒冷地区用、热带地区用、无铜处理、特殊空气配管及特殊气接头、真空工作条件用、接触大气部分的螺栓、螺母采用不锈钢、指定涂层色 Sand and Dust proof, Salty environment proof, Cold area proof, Tropical area proof, Copper-free alloy, Special piping and fitting, Vacuum service proof, SUS bolt and nut for exposed parts, Non-standard painting.
认证 Authorization	获得高压气体认定法的认定 Japanese government authorization for high pressure gas.

表 1 阀体、阀内件标准材质组合及使用温度范围

Table 1 BODY/TRIM STANDARD MATERIAL COMBINATION, OPERATING TEMPERATURE

- Hni : 镀镍 Hard nickel plated
- PH : 析出硬化热处理 Precipitation hardening
- HT : 热处理 Heat treatment
- PTFE : 聚四氟乙烯 Pure Teflon

表 1-1 阀体材质：FC300, FCD450

Table 1-1 BODY MATERIAL : FC300, FCD450

阀体材质 Body material		FC300		FCD450		
阀板材质及处理 Disc material and Treatment		FCD450/Hni	ZCuAl10Fe3	FCD450/Hni	ZCuAl10Fe3	SCS13A
阀杆材质及处理 Stem material and Treatment		2Cr13/HT, SUS630/PH, SUS304, SUS316				
阀座材质 Seat ring material		请参见表 2。 See Table 2.				

表 1-2 阀体材质：SCPH2, SCS13A, SCS14A

Table 1-2 BODY MATERIAL : SCPH2, SCS13A, SCS14A

阀体材质 Body material		SCPH2, SCS13A, SCS14A				
阀板材质及处理 Disc material and Treatment		SCS13A			SCS14A	
阀杆材质及处理 Stem material and Treatment		2Cr13/HT, SUS630/PH, SUS304, SUS316				
阀座材质 Seat ring material		请参见表 2。 See Table 2.				

表 1-3 阀体材质：FC300, FCD450, SCPH2, SCS13A, SCS14A

Table 1-3 BODY MATERIAL : FC300, FCD450, SCPH2, SCS13A, SCS14A

阀体材质 Body material		FC300, FCD450, SCPH2, SCS13A, SCS14A				
阀板材质及处理 Disc material and Treatment		SCS24/PTFE FLOATING				
阀杆材质及处理 Stem material and Treatment		XM-19				
阀座材质 Seat ring material		PTFE				
使用温度范围 Operating temperature		- 40 ~ + 80				

备注：阀门制造范围 DN50 ~ DN300。
Remarks : Valve ranges 50A ~ 300A.

表 2 阀座材质及使用温度范围

Table 2 SEAT RING MATERIAL, OPERATING TEMPERATURE

阀座材质 Seat ring material	使用温度范围 Operating temperature	适用介质 Applicable medium
天然胶 NR	- 20 ~ + 85	酒类、饮料、奶制品等 Liquor, Beverage, Milk, etc.
氯丁橡胶 Neoprence	- 29 ~ + 94 - 35 ~ + 113 (短时 Intermittence)	水、油、缓和化学品、酸类、脂肪等 Water, Oil, Allay chemical, Acid, Grease, etc.
丁腈橡胶 NBR	- 23 ~ + 82 - 23 ~ + 120 (短时 Intermittence)	淡水、空气、气体、化学品、酒类等 Freshwater, Air, Gas, Chemical, Liquor, etc.
乙丙橡胶 EPDM	- 40 ~ + 135 - 50 ~ + 170 (短时 Intermittence)	水、油、饮料、奶制品等 Water, Oil, Beverage, Milk, etc.
氟橡胶 VITON	- 23 ~ + 150	水、油、空气、酸类等 Water, Oil, Air, Acid, etc.
聚四氟乙烯 PTFE	- 20 ~ + 80	酸碱类腐蚀性介质 Acid, Alkalis.

表 3 额定 Cv 值

Table 3 Cv VALUE

公称通径 Valve size Inch (mm)	90° 开度 90° Open	公称通径 Valve size inch (mm)	90° 开度 90° Open
2 (50)	70	10 (250)	3,740
2.5 (65)	175	12 (300)	5,100
3 (80)	265	14 (350)	6,860
4 (100)	480	16 (400)	8,960
5 (125)	750	18 (450)	11,340
6 (150)	1,350	20 (500)	14,000
8 (200)	2,310	24 (600)	20,160

图 1 本体部构造

Fig. 1 BODY SECTION VIEW

图 1-1 公称通径：8B 以下

Fig. 1-1 VALVE SIZE : 8"AND UNDER

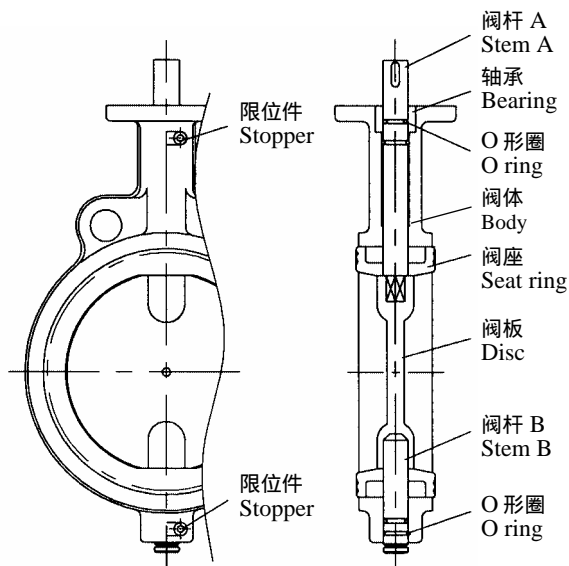


图 1-2 公称通径：10B

Fig. 1-2 VALVE SIZE : 10"

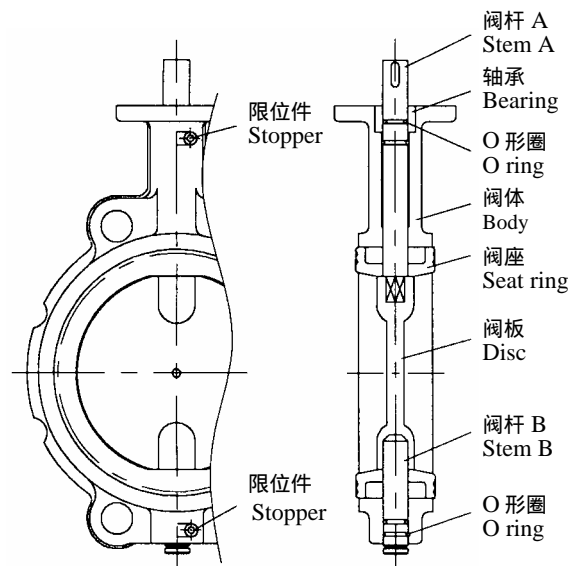


图 1-3 公称通径：12B 以上

Fig. 1-3 VALVE SIZE : 12"AND OVER

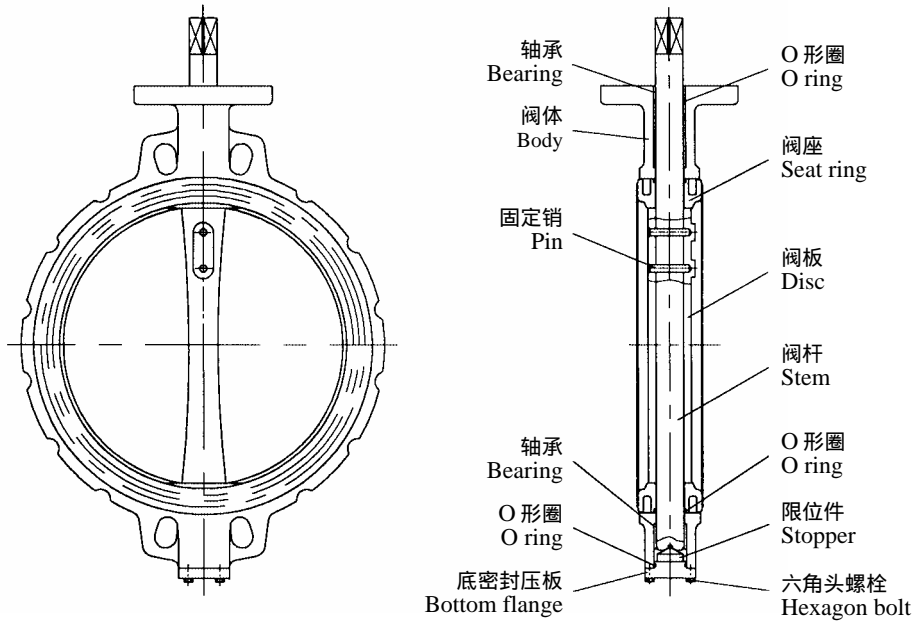


表 4 最大允许压差 (单位 : MPa)

Table 4 ALLOWABLE PRESSURE DROPS (UNIT : MPa)

表 4-1 双动作型气缸式执行机构 / 气源压力 400 KPa

Table 4-1 DOUBLE ACTING PNEUMATIC CYLINDER ACTUATOR/ AIR SUPPLY 400 KPa

执行机构尺寸及型号 Actuator size & code	输出力矩 (N.m) Output Torque	公称通径 Valve size (inch)													
		50	65	80	100	125	150	200	250	300	350	400	450	500	600
63B2RB AT201	46.5	1.0	1.0	1.0											
63B3RB AT301	106				1.0	1.0									
63B4RB AT401	222					1.0	1.0								
7317RB 170 × 2	510							1.0	1.0						
7323RB 235 × 2	1370									1.0	1.0				
7328RB 280 × 2	2370											1.0	1.0		
7337RB 375 × 2	5590													1.0	1.0

表 4-2 单动作型气缸式执行机构 / 气源压力 400 KPa

Table 4-2 SPRING RETURN PNEUMATIC CYLINDER ACTUATOR/ AIR SUPPLY 400 KPa

执行机构尺寸及型号 Actuator size & code	输出力矩 (N.m) Output Torque	公称通径 Valve size (inch)													
		50	65	80	100	125	150	200	250	300	350	400	450	500	600
63B3RB AT301	40.5	1.0	1.0	1.0											
63B4RB AT401	84				1.0	1.0									
7317RB 170 × 2	170					1.0	1.0								
7323RB 235 × 2	455							1.0							
7328RB 280 × 2	796								1.0	1.0					
7337RB 375 × 2	1866										1.0	1.0			

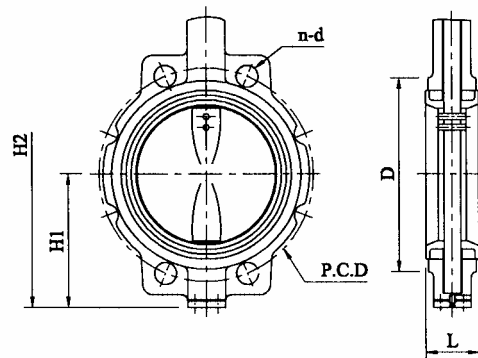
表 4-3 全电子式执行机构 Table 4-3 SOLID STATE ELECTRONIC TYPE ACTUATOR

执行机构尺寸及型号 Actuator size & code	输出力矩 (N.m) Output Torque	公称通径 Valve size (inch)													
		50	65	80	100	125	150	200	250	300	350	400	450	500	600
361RSA-05	50	1.0	1.0	1.0											
361RSB-10	100				1.0	1.0									
361RSB-30	300						1.0								
361RSC-60	600							1.0	1.0						
361RSD-100	1000									1.0					
361RSD-150	1500										1.0	1.0			

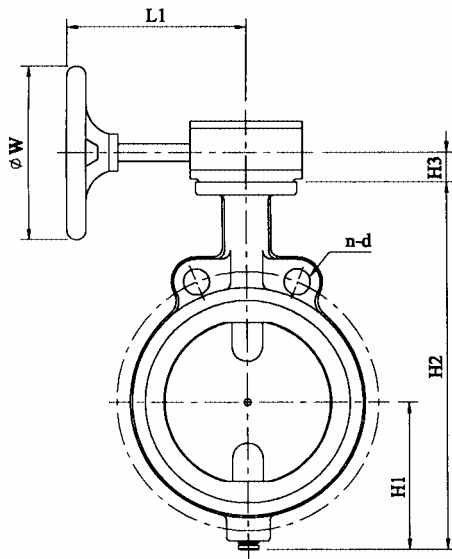
表 4-4 电动式执行机构 Table 4-4 ELECTRIC MOTOR TYPE ACTUATOR

执行机构尺寸及型号 Actuator size & code	输出力矩 (N.m) Output Torque	公称通径 Valve size (inch)													
		50	65	80	100	125	150	200	250	300	350	400	450	500	600
341RSA-05	50	1.0	1.0	1.0											
341RSB-10	100				1.0	1.0									
341RSB-20	200					1.0	1.0								
341RSC-50	500							1.0	1.0						
341RSD-100	1000									1.0					
341RSD-150	1500										1.0	1.0			
UNIC-10	98	1.0	1.0	1.0	1.0	1.0									
UNIC-40	392						1.0	1.0							
UNIC-60	588							1.0	1.0						
UNIC-100	980									1.0					
UNIC-150	1470										1.0	1.0			
LQA5-1	50	1.0	1.0	1.0											
LQA10-1	100				1.0	1.0									
LQA20-1	200					1.0	1.0								
LQA40-1	400							1.0							
802.60-1	600								1.0						
802.120-1	1200									1.0	1.0				

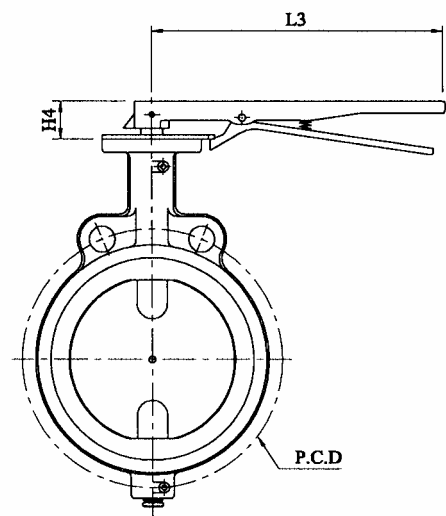
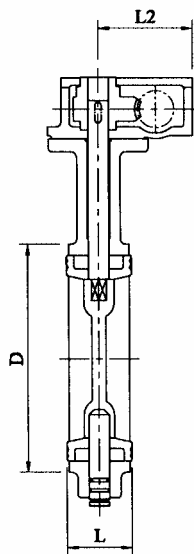
BUTTERFLY VALVE *Manual operators*



□ BODY SIZE
10" AND ABOVE



□ WORM GEAR TYPE



□ LOCK LEVER TYPE

DIMENSIONS

UNIT : mm

VALVE SIZE CODE		PRESSURE CLASS				ACTUATOR					
		JIS 5K	JIS 10K	ANSI 150#	PN 1.0 MPa	H3	H4	L1	L2	L3	W
No.		L	H1	H2	D						
02	2" (50A)	43	78	218	98	27	31	159	87	229	125
94	2.5" (65A)	46	83	235	116	27	31	159	87	229	125
03	3" (80A)	46	92	251	127	27	31	159	87	229	125
04	4" (100A)	52	106	284	154	27	31	159	87	279	150
05	5" (125A)	56	123	313	186	27	32	159	87	279	150
06	6" (150A)	56	136	339	212	27	32	159	87	279	150
08	8" (200A)	60	165	403	265	35	40	207	105	381	200
10	10" (250A)	68	198	466	332	35	40	207	105	381	250
12	12" (300A)	78	229	535	376	35	40	207	105	381	250
14	14" (350A)	78	275	605	422	35	—	207	105	—	250
16	16" (400A)	102	320	680	480	42	—	226	150	—	300
18	18" (450A)	114	340	730	538	42	—	226	150	—	300
20	20" (500A)	127	362	792	590	42	—	226	150	—	300
24	24" (600A)	154	380	850	680	42	—	226	150	—	300

*FLANGE IS FOLLOWING TO A STANDARD WHICH IS DESCRIBED ON SPECIFICATION SHEET.

NOTE :

DRAWING No.

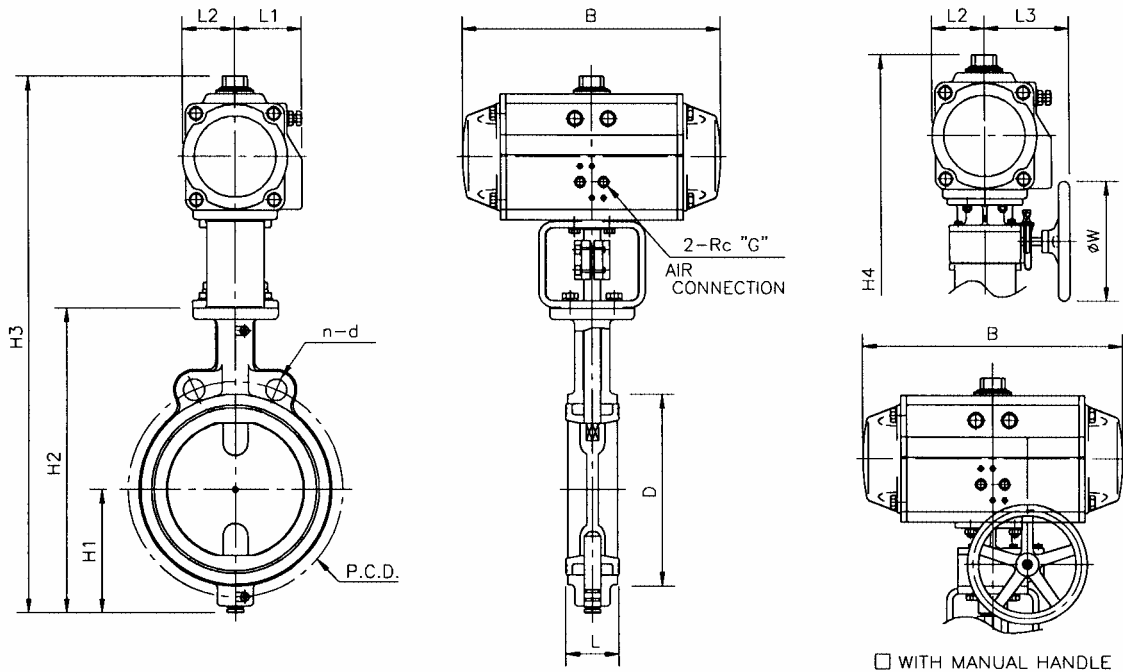
**E-600M-W
L**

REV

A

KOSO

BUTTERFLY VALVE *Double acting cylinder*



DIMENSIONS

UNIT : mm

VALVE SIZE CODE No.	VALVE SIZE	VALVE						ACTUATOR								CODE NO.
		JIS 5K	JIS 10K	ANSI 150#	PN 1.0 MPa	Cylinder Size	B	L1	L2	L3	W	G				
02	2" (50A)	43	78	218	340	590	98	AT201	215	52	43	130	160	1/4	63B2RB	
94	2.5" (65A)	46	83	235	357	607	116	AT201	215	52	43	130	160	1/4	63B2RB	
03	3" (80A)	46	92	251	373	623	127	AT201	215	52	43	130	160	1/4	63B2RB	
04	4" (100A)	52	106	284	431	666	154	AT301	270	67	56	130	160	1/4	63B3RB	
05	5" (125A)	56	123	313	460	695	186	AT301	270	67	56	130	160	1/4	63B3RB	
					500	735		AT401	345	82	70	130	160	1/4	63B4RB	
06	6" (150A)	56	136	339	526	761	212	AT401	345	82	70	130	160	1/4	63B4RB	

*FLANGE IS FOLLOWING TO A STANDARD WHICH IS DESCRIBED ON SPECIFICATION SHEET.

VALVE SIZE	JIS 5K		JIS 10K		ANSI 150#		JB PN 1.0 MPa		HG PN 1.0 MPa	
	P.C.D	n-d	P.C.D	n-d	P.C.D	n-d	P.C.D	n-d	P.C.D	n-d
2" (50A)	105	4-15	120	4-19	120.6	4-19	125	4-18	125	4-18
2.5" (65A)	130	4-15	140	4-19	139.7	4-19	145	4-18	145	4-18
3" (80A)	145	4-19	150	8-19	152.4	4-19	160	4-18	160	8-18
4" (100A)	165	8-19	175	8-19	190.5	8-19	180	8-18	180	8-18
5" (125A)	200	8-19	210	8-23	215.9	8-23	210	8-18	210	8-18
6" (150A)	230	8-19	240	8-23	241.3	8-23	240	8-23	240	8-22

NOTE :

DRAWING No.

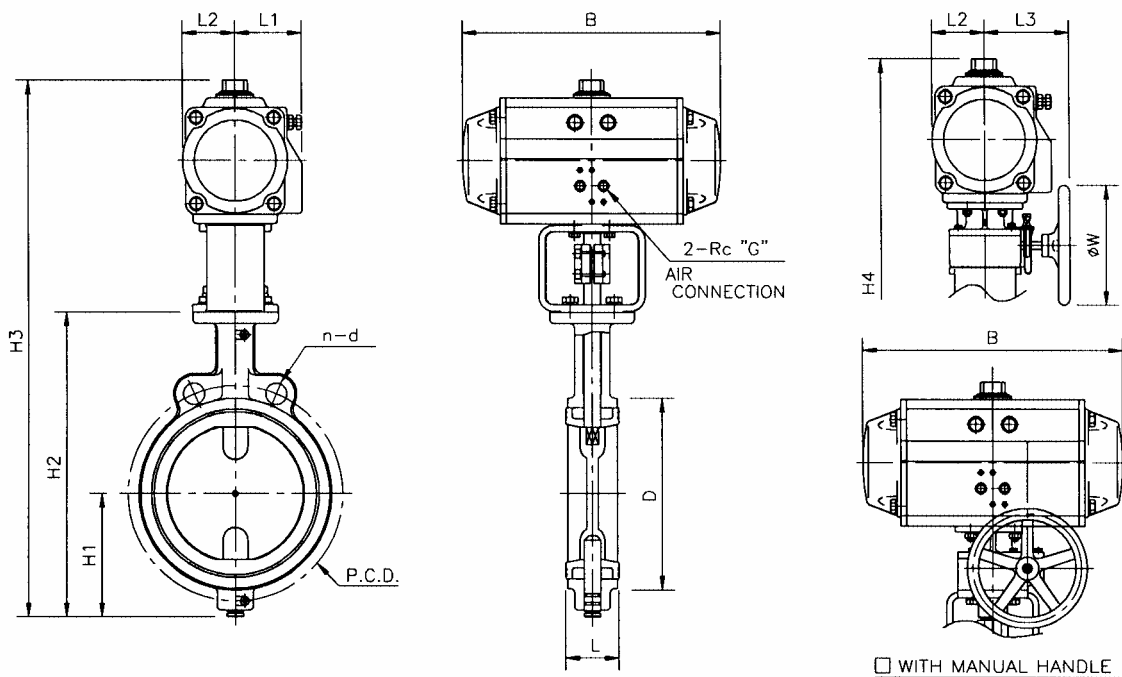
E-600M-6300RB-W-N
S

REV

B

KOSO

BUTTERFLY VALVE *Spring return cylinder*



DIMENSIONS

UNIT : mm

VALVE SIZE CODE No.	JIS 5K	JIS 10K	ANSI 150#	PN 1.0 MPa				ACTUATOR							CODE NO.
				L	H1	H2	H3	H4	D	Cylinder Size	B	L1	L2	L3	
02	2" (50A)	43	78	218	365	600	98	AT301	270	67	56	130	160	1/4	63B3RB
94	2.5" (65A)	46	83	235	382	617	116	AT301	270	67	56	130	160	1/4	63B3RB
03	3" (80A)	46	92	251	398	633	127	AT301	270	67	56	130	160	1/4	63B3RB
04	4" (100A)	52	106	284	471	706	154	AT401	345	82	70	130	160	1/4	63B4RB
05	5" (125A)	56	123	313	500	735	186	AT401	345	82	70	130	160	1/4	63B4RB

*FLANGE IS FOLLOWING TO A STANDARD WHICH IS DESCRIBED ON SPECIFICATION SHEET.

VALVE SIZE	JIS 5K		JIS 10K		ANSI 150#		JB PN 1.0 MPa		HG PN 1.0 MPa	
	P.C.D	n-d	P.C.D	n-d	P.C.D	n-d	P.C.D	n-d	P.C.D	n-d
2" (50A)	105	4-15	120	4-19	120.6	4-19	125	4-18	125	4-18
2.5" (65A)	130	4-15	140	4-19	139.7	4-19	145	4-18	145	4-18
3" (80A)	145	4-19	150	8-19	152.4	4-19	160	4-18	160	8-18
4" (100A)	165	8-19	175	8-19	190.5	8-19	180	8-18	180	8-18
5" (125A)	200	8-19	210	8-23	215.9	8-23	210	8-18	210	8-18

NOTE :

DRAWING No.

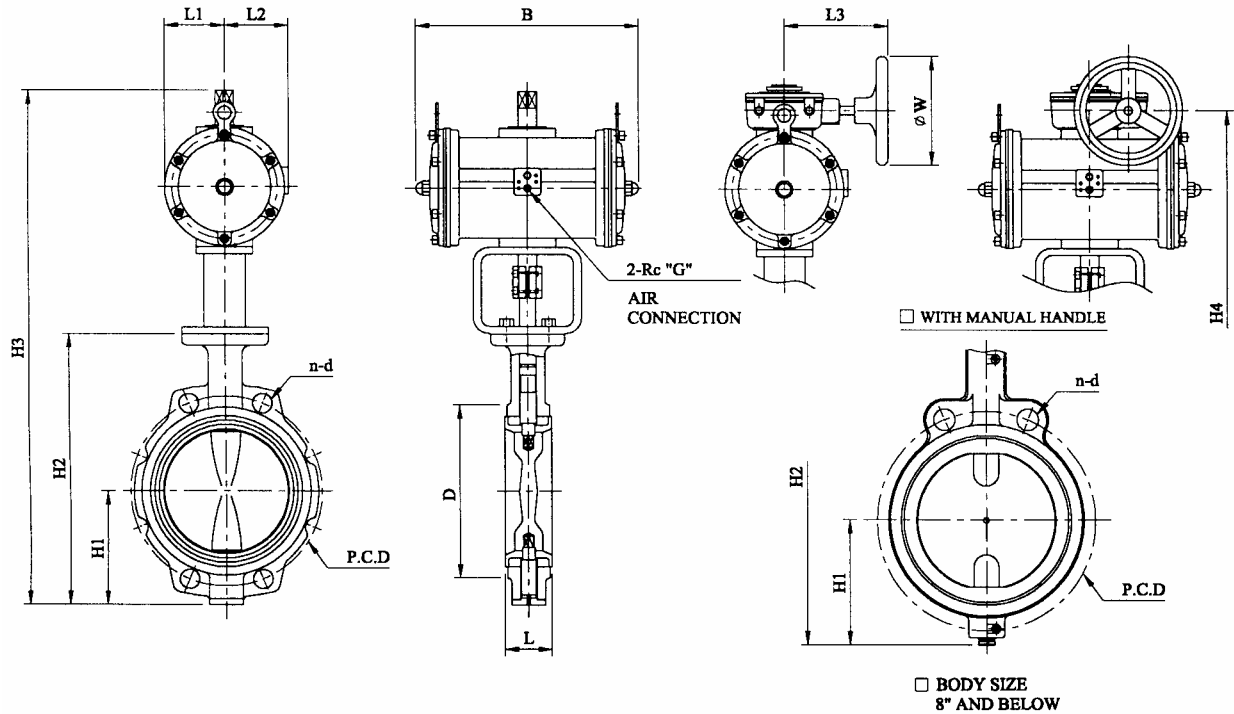
E-600M-6300RB-D N
R S

REV

B

KOSO

BUTTERFLY VALVE *Double acting cylinder*



DIMENSIONS

UNIT : mm

VALVE SIZE CODE No.		VALVE SIZE						ACTUATOR							
		JIS 5K	JIS 10K	ANSI 150#	PN 1.0 MPa			Cylinder Size	B	L1	L2	L3	W	G	CODE NO.
		L	H1	H2	H3	H4	D								
08	8" (200A)	60	165	403	839	807	265	170	400	110	120	235	200	3/8	7317RB
10	10" (250A)	68	198	466	902	870	332	170	400	110	120	235	200	3/8	7317RB
12	12" (300A)	78	229	535	1118	1079	376	235	515	150	160	270	300	1/2	7323RB
14	14" (350A)	78	275	605	1188	1149	422	235	515	150	160	270	300	1/2	7323RB
16	16" (400A)	102	320	680	1350	1300	480	280	630	185	185	315	400	1/2	7328RB
18	18" (450A)	114	340	730	1450	1400	538	280	630	185	185	315	400	1/2	7328RB
20	20" (500A)	127	362	792	1647	1579	590	375	815	240	240	380	630	3/4	7337RB
24	24" (600A)	154	380	850	1705	1637	680	375	815	240	240	380	630	3/4	7337RB

*FLANGE IS FOLLOWING TO A STANDARD WHICH IS DESCRIBED ON SPECIFICATION SHEET.

VALVE SIZE	JIS 5K		JIS 10K		ANSI 150#		JB PN 1.0 MPa		HG PN 1.0 MPa	
	P.C.D	n-d	P.C.D	n-d	P.C.D	n-d	P.C.D	n-d	P.C.D	n-d
8" (200A)	280	8-23	290	12-23	298.4	8-23	295	8-23	295	8-22
10" (250A)	345	12-23	355	12-25	361.9	12-25	350	12-23	350	12-22
12" (300A)	390	12-23	400	16-25	431.8	12-25	400	12-23	400	12-22
14" (350A)	435	12-25	445	16-25	476.2	12-30	460	16-23	460	16-22
16" (400A)	495	16-25	510	16-27	539.8	16-30	515	16-26	515	16-26
18" (450A)	555	16-25	565	20-27	577.8	16-33	565	20-26	565	20-26
20" (500A)	605	20-25	620	20-27	635	20-33	620	20-26	620	20-26
24" (600A)	715	20-27	730	24-33	749.3	20-36	725	20-30	725	20-30

NOTE :

DRAWING No.

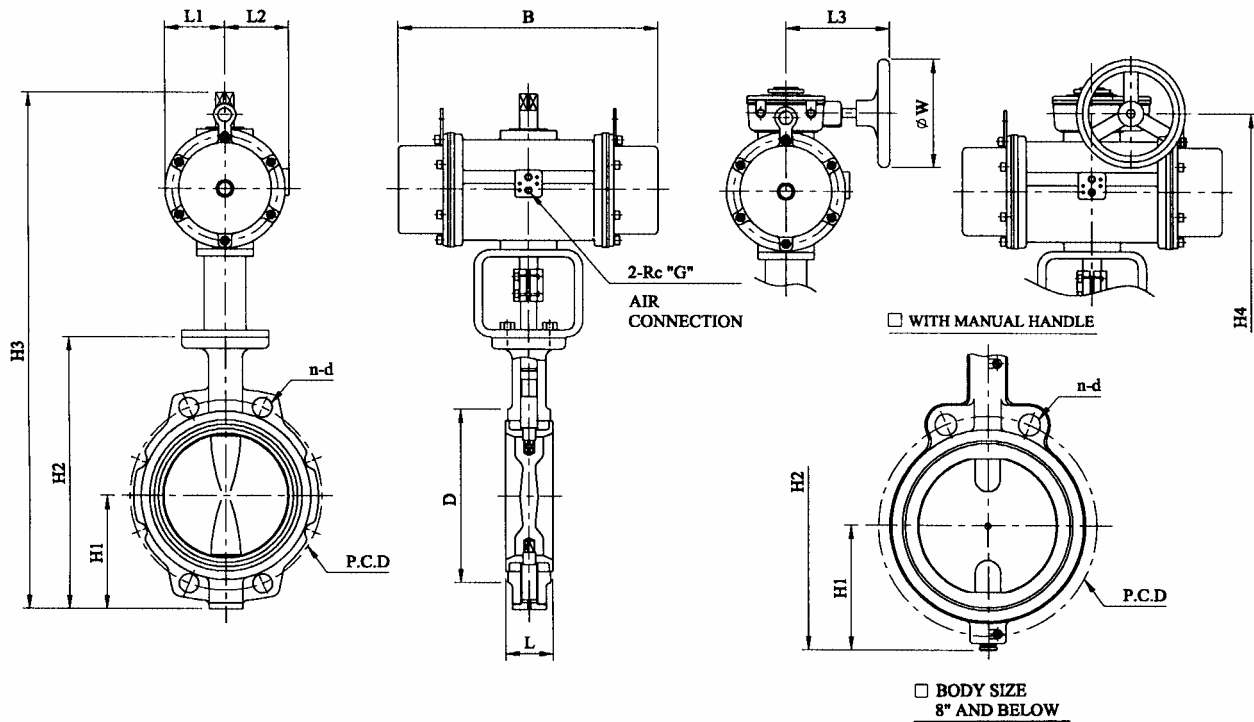
E-600M-7300RB-W-N
S

REV

A

KOSO

BUTTERFLY VALVE *Spring return cylinder*



DIMENSIONS

UNIT : mm

VALVE SIZE CODE		VALVE SIZE						ACTUATOR							
		JIS 5K	JIS 10K	ANSI 150#	PN 1.0 MPa	Cylinder Size	B	L1	L2	L3	W	G	CODE NO.		
No.		L	H1	H2	H3	H4	D								
05	5" (125A)	56	123	313	749	727	186	170	500	110	120	235	300	3/8	7317RB
06	6" (150A)	56	136	339	775	753	212	170	500	110	120	235	300	3/8	7317RB
08	8" (200A)	60	165	403	986	952	265	235	635	150	160	315	400	1/2	7323RB
10	10" (250A)	68	198	466	1186	1136	332	280	810	185	185	380	630	1/2	7328RB
12	12" (300A)	78	229	535	1255	1205	376	280	810	185	185	380	630	1/2	7328RB
14	14" (350A)	78	275	605	1460	1374	422	375	990	240	240	467	630	3/4	7337RB
16	16" (400A)	102	320	680	1535	1459	480	375	990	240	240	467	630	3/4	7337RB

*FLANGE IS FOLLOWING TO A STANDARD WHICH IS DESCRIBED ON SPECIFICATION SHEET.

VALVE SIZE	JIS 5K		JIS 10K		ANSI 150#		JB PN 1.0 MPa		HG PN 1.0 MPa	
	P.C.D	n-d	P.C.D	n-d	P.C.D	n-d	P.C.D	n-d	P.C.D	n-d
5" (125A)	200	8-19	210	8-23	215.9	8-23	210	8-18	210	8-18
6" (150A)	230	8-19	240	8-23	241.3	8-23	240	8-23	240	8-22
8" (200A)	280	8-23	290	12-23	298.4	8-23	295	8-23	295	8-22
10" (250A)	345	12-23	355	12-25	361.9	12-25	350	12-23	350	12-22
12" (300A)	390	12-23	400	16-25	431.8	12-25	400	12-23	400	12-22
14" (350A)	435	12-25	445	16-25	476.2	12-30	460	16-23	460	16-22
16" (400A)	495	16-25	510	16-27	539.8	16-30	515	16-26	515	16-26

NOTE :

DRAWING No.

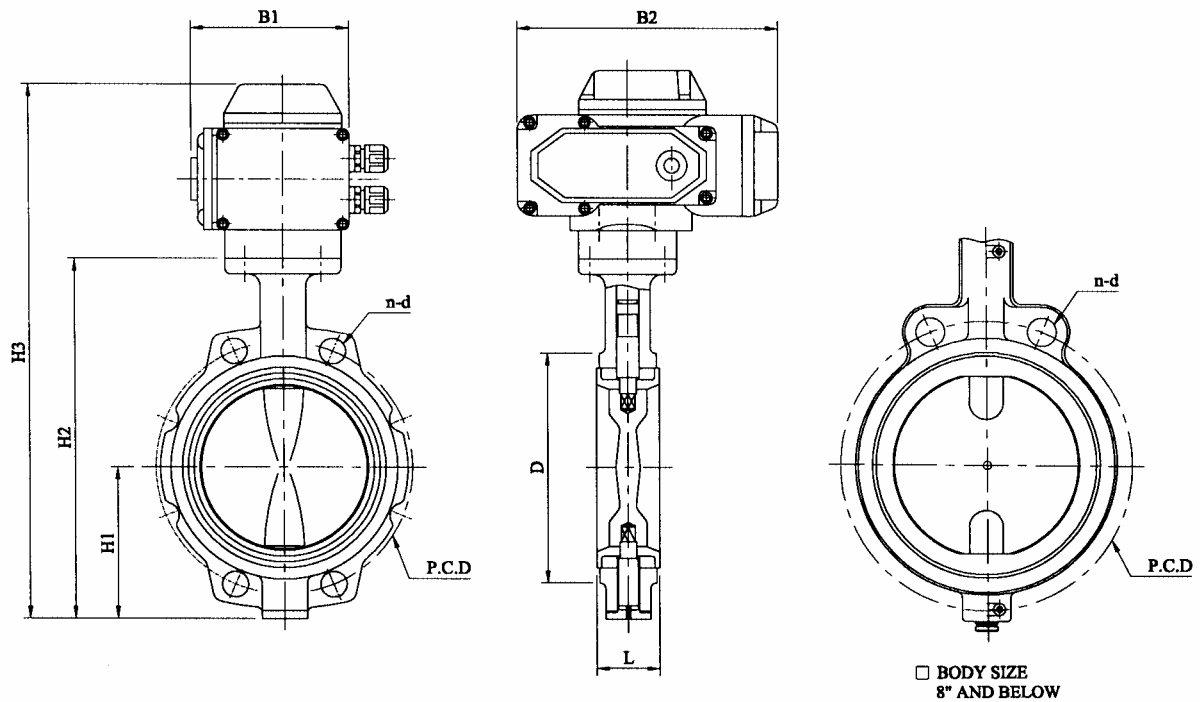
E-600M-7300RB-D N
R S

REV

A

KOSO

BUTTERFLY VALVE *Motoried Actuator*



DIMENSIONS

UNIT : mm

VALVE SIZE CODE	JIS 5K JIS 10K ANSI 150# PN 1.0 MPa					ACTUATOR		
	L	H1	H2	H3	D	B1	B2	CODE NO.
02 2" (50A)	43	78	218	397	98	121	207	Unic-10
94 2.5" (65A)	46	83	235	414	116	121	207	Unic-10
03 3" (80A)	46	92	251	430	127	121	207	Unic-10
04 4" (100A)	52	106	284	463	154	121	207	Unic-10
05 5" (125A)	56	123	313	492	186	121	207	Unic-10
06 6" (150A)	56	136	339	529	212	155	256	Unic-40
08 8" (200A)	60	165	403	594	265	155	256	Unic-40
				633		240	380	Unic-60
10 10" (250A)	68	198	466	696	332	240	380	Unic-60
12 12" (300A)	78	229	535	765	376	240	380	Unic-100
14 14" (350A)	78	275	605	835	422	240	380	Unic-150
16 16" (400A)	102	320	680	910	480	240	380	Unic-150

*FLANGE IS FOLLOWING TO A STANDARD WHICH IS DESCRIBED ON SPECIFICATION SHEET.

VALVE SIZE	JIS 5K		JIS 10K		ANSI 150#		JB PN 1.0 MPa		HG PN 1.0 MPa	
	P.C.D	n-d	P.C.D	n-d	P.C.D	n-d	P.C.D	n-d	P.C.D	n-d
2" (50A)	105	4-15	120	4-19	120.6	4-19	125	4-18	125	4-18
2.5" (65A)	130	4-15	140	4-19	139.7	4-19	145	4-18	145	4-18
3" (80A)	145	4-19	150	8-19	152.4	4-19	160	4-18	160	8-18
4" (100A)	165	8-19	175	8-19	190.5	8-19	180	8-18	180	8-18
5" (125A)	200	8-19	210	8-23	215.9	8-23	210	8-18	210	8-18
6" (150A)	230	8-19	240	8-23	241.3	8-23	240	8-23	240	8-22
8" (200A)	280	8-23	290	12-23	298.4	8-23	295	8-23	295	8-22
10" (250A)	345	12-23	355	12-25	361.9	12-25	350	12-23	350	12-22
12" (300A)	390	12-23	400	16-25	431.8	12-25	400	12-23	400	12-22
14" (350A)	435	12-25	445	16-25	476.2	12-30	460	16-23	460	16-22
16" (400A)	495	16-25	510	16-27	539.8	16-30	515	16-26	515	16-26

NOTE :

DRAWING No.

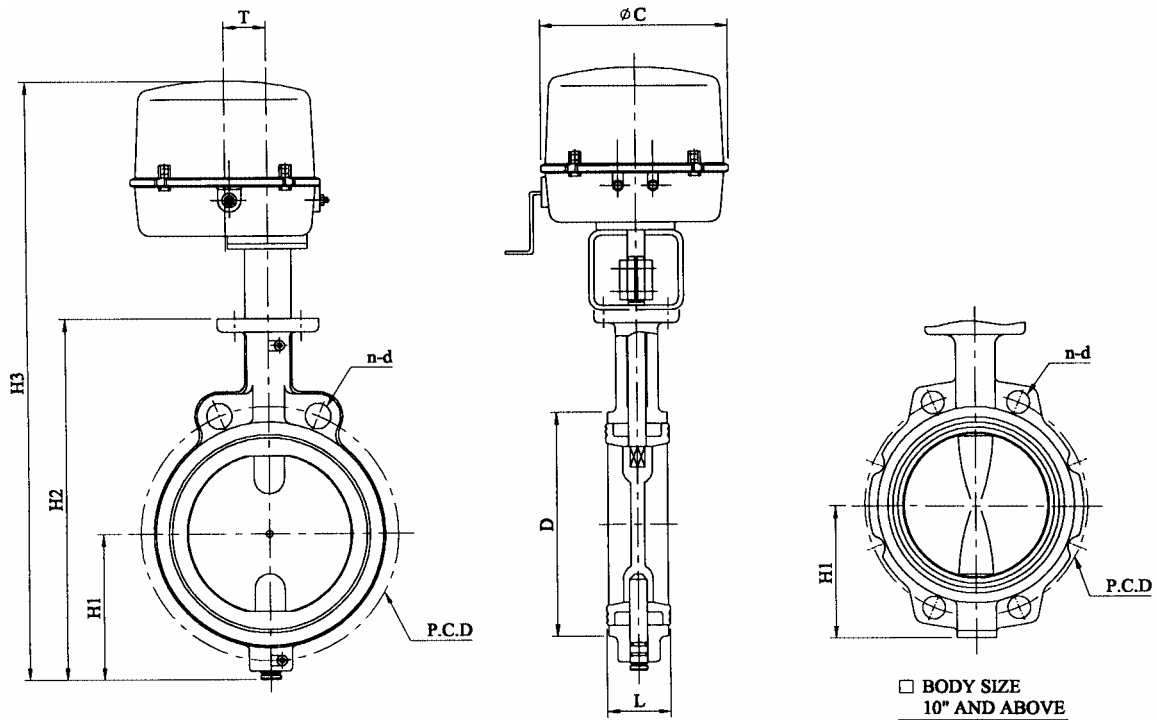
E-600M-UNIC-000-B-N-S

REV

A

KOSO

BUTTERFLY VALVE *Motoried Actuator*



DIMENSIONS

UNIT : mm

VALVE SIZE CODE	No.	JIS 5K	JIS 10K	ANSI 150#	PN 1.0 MPa	ACTUATOR			
		L	H1	H2	H3	D	C	T	CODE NO.
02	2" (50A)	43	78	218	553	98	225	56	341RSA-05
04	2.5" (65A)	46	83	235	570	116	225	56	341RSA-05
03	3" (80A)	46	92	251	586	127	225	56	341RSA-05
04	4" (100A)	52	106	284	659	154	255	68	341RSB-10
05	5" (125A)	56	123	313	688	186	255	68	341RSB-10
									341RSB-20
06	6" (150A)	56	136	339	714	212	255	68	341RSB-20
08	8" (200A)	60	165	403	933	265	335	80	341RSC-50
10	10" (250A)	68	198	466	996	332	335	80	341RSC-50
12	12" (300A)	78	229	535	1125	376	470	65	341RSD-100
14	14" (350A)	78	275	605	1245	422	470	65	341RSD-150
16	16" (400A)	102	320	680	1320	480	470	65	341RSD-150

*FLANGE IS FOLLOWING TO A STANDARD WHICH IS DESCRIBED ON SPECIFICATION SHEET.

VALVE SIZE	JIS 5K		JIS 10K		ANSI 150#		JB PN 1.0 MPa		HG PN 1.0 MPa	
	P.C.D	n-d	P.C.D	n-d	P.C.D	n-d	P.C.D	n-d	P.C.D	n-d
2" (50A)	105	4-15	120	4-19	120.6	4-19	125	4-18	125	4-18
2.5" (65A)	130	4-15	140	4-19	139.7	4-19	145	4-18	145	4-18
3" (80A)	145	4-19	150	8-19	152.4	4-19	160	4-18	160	8-18
4" (100A)	165	8-19	175	8-19	190.5	8-19	180	8-18	180	8-18
5" (125A)	200	8-19	210	8-23	215.9	8-23	210	8-18	210	8-18
6" (150A)	230	8-19	240	8-23	241.3	8-23	240	8-23	240	8-22
8" (200A)	280	8-23	290	12-23	298.4	8-23	295	8-23	295	8-22
10" (250A)	345	12-23	355	12-25	361.9	12-25	350	12-23	350	12-22
12" (300A)	390	12-23	400	16-25	431.8	12-25	400	12-23	400	12-22
14" (350A)	435	12-25	445	16-25	476.2	12-30	460	16-23	460	16-22
16" (400A)	495	16-25	510	16-27	539.8	16-30	515	16-26	515	16-26

NOTE :

DRAWING No.

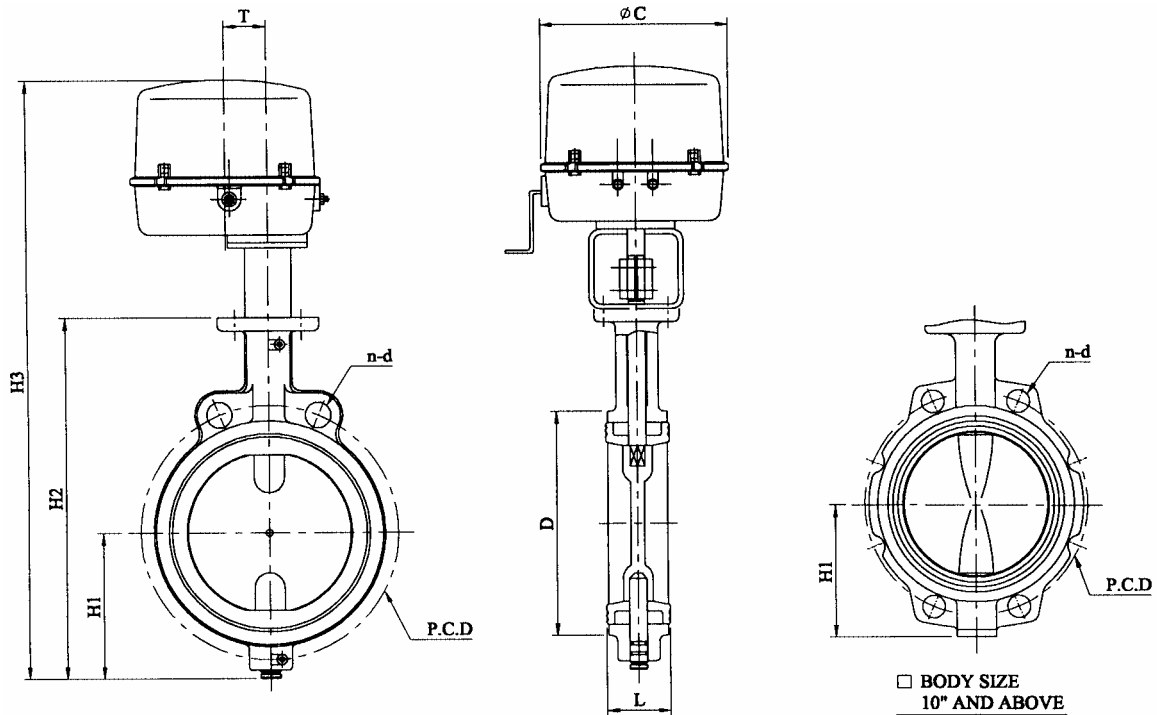
E-600M-341RS0-000-B-N
S

REV

A

KOSO

BUTTERFLY VALVE *Motoried Actuator*



DIMENSIONS

UNIT : mm

VALVE SIZE CODE No.		VALVE SIZE					ACTUATOR		
		JIS 5K	JIS 10K	ANSI 150#	PN 1.0 MPa				
		L	H1	H2	H3	D	C	T	CODE NO.
02	2" (50A)	43	78	218	553	98	225	56	361RSA-05
94	2.5" (65A)	46	83	235	570	116	225	56	361RSA-05
03	3" (80A)	46	92	251	586	127	225	56	361RSA-05
04	4" (100A)	52	106	284	659	154	255	68	361RSB-10
05	5" (125A)	56	123	313	688	186	255	68	361RSB-10
06	6" (150A)	56	136	339	869	212	255	80	361RSC-30
08	8" (200A)	60	165	403	933	265	335	80	361RSC-60
10	10" (250A)	68	198	466	996	332	470	80	361RSC-60
12	12" (300A)	78	229	535	1125	376	470	65	361RSD-100
14	14" (350A)	78	275	605	1245	422	470	65	361RSD-150
16	16" (400A)	102	320	680	1320	480	470	65	361RSD-150

*FLANGE IS FOLLOWING TO A STANDARD WHICH IS DESCRIBED ON SPECIFICATION SHEET.

VALVE SIZE	JIS 5K		JIS 10K		ANSI 150#		JB PN 1.0 MPa		HG PN 1.0 MPa	
	P.C.D	n-d	P.C.D	n-d	P.C.D	n-d	P.C.D	n-d	P.C.D	n-d
2" (50A)	105	4-15	120	4-19	120.6	4-19	125	4-18	125	4-18
2.5" (65A)	130	4-15	140	4-19	139.7	4-19	145	4-18	145	4-18
3" (80A)	145	4-19	150	8-19	152.4	4-19	160	4-18	160	8-18
4" (100A)	165	8-19	175	8-19	190.5	8-19	180	8-18	180	8-18
5" (125A)	200	8-19	210	8-23	215.9	8-23	210	8-18	210	8-18
6" (150A)	230	8-19	240	8-23	241.3	8-23	240	8-23	240	8-22
8" (200A)	280	8-23	290	12-23	298.4	8-23	295	8-23	295	8-22
10" (250A)	345	12-23	355	12-25	361.9	12-25	350	12-23	350	12-22
12" (300A)	390	12-23	400	16-25	431.8	12-25	400	12-23	400	12-22
14" (350A)	435	12-25	445	16-25	476.2	12-30	460	16-23	460	16-22
16" (400A)	495	16-25	510	16-27	539.8	16-30	515	16-26	515	16-26

NOTE :

DRAWING No.

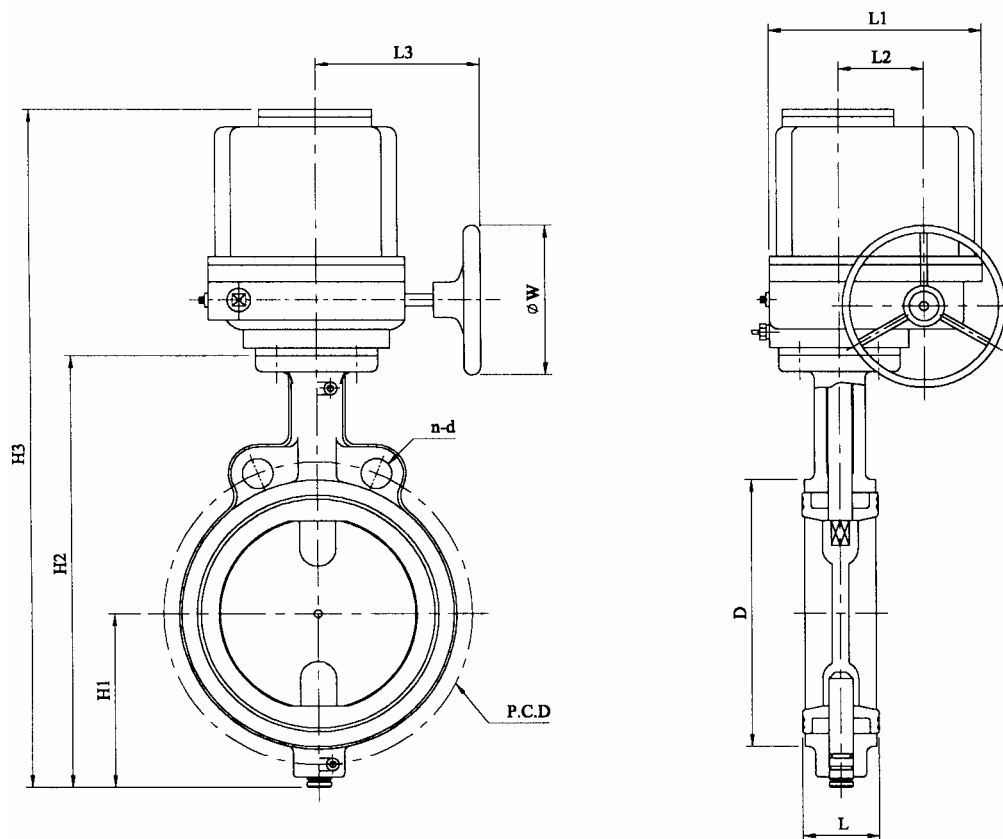
E-600M-361RS0-000-B-N
S

REV

A

KOSO

BUTTERFLY VALVE *Motoried Actuator*



DIMENSIONS

UNIT : mm

VALVE SIZE CODE No.	VALVE						ACTUATOR				
	JIS 5K	JIS 10K	ANSI150#	PN 1.0 MPa			L1	L2	L3	W	CODE NO.
02	2" (50A)	43	78	218	473	98	191	68	126	200	LQA5-1
94	2.5" (65A)	46	83	235	490	116	191	68	126	200	LQA5-1
03	3" (80A)	46	92	251	506	127	191	68	126	200	LQA5-1
04	4" (100A)	52	106	284	539	154	191	68	126	200	LQA10-1
05	5" (125A)	56	123	313	568	186	191	68	126	200	LQA10-1 LQA20-1
06	6" (150A)	56	136	339	594	212	191	68	126	200	LQA20-1
08	8" (200A)	60	165	403	705	265	240	100	175	300	LQA40-1

*FLANGE IS FOLLOWING TO A STANDARD WHICH IS DESCRIBED ON SPECIFICATION SHEET.

VALVE SIZE	JIS 5K		JIS 10K		ANSI150#		JB PN 1.0 MPa		HG PN 1.0 MPa	
	P.C.D	n-d	P.C.D	n-d	P.C.D	n-d	P.C.D	n-d	P.C.D	n-d
2" (50A)	105	4-15	120	4-19	120.6	4-19	125	4-18	125	4-18
2.5" (65A)	130	4-15	140	4-19	139.7	4-19	145	4-18	145	4-18
3" (80A)	145	4-19	150	8-19	152.4	4-19	160	4-18	160	8-18
4" (100A)	165	8-19	175	8-19	190.5	8-19	180	8-18	180	8-18
5" (125A)	200	8-19	210	8-23	215.9	8-23	210	8-18	210	8-18
6" (150A)	230	8-19	240	8-23	241.3	8-23	240	8-23	240	8-22
8" (200A)	280	8-23	290	12-23	298.4	8-23	295	8-23	295	8-22

NOTE :

DRAWING No.

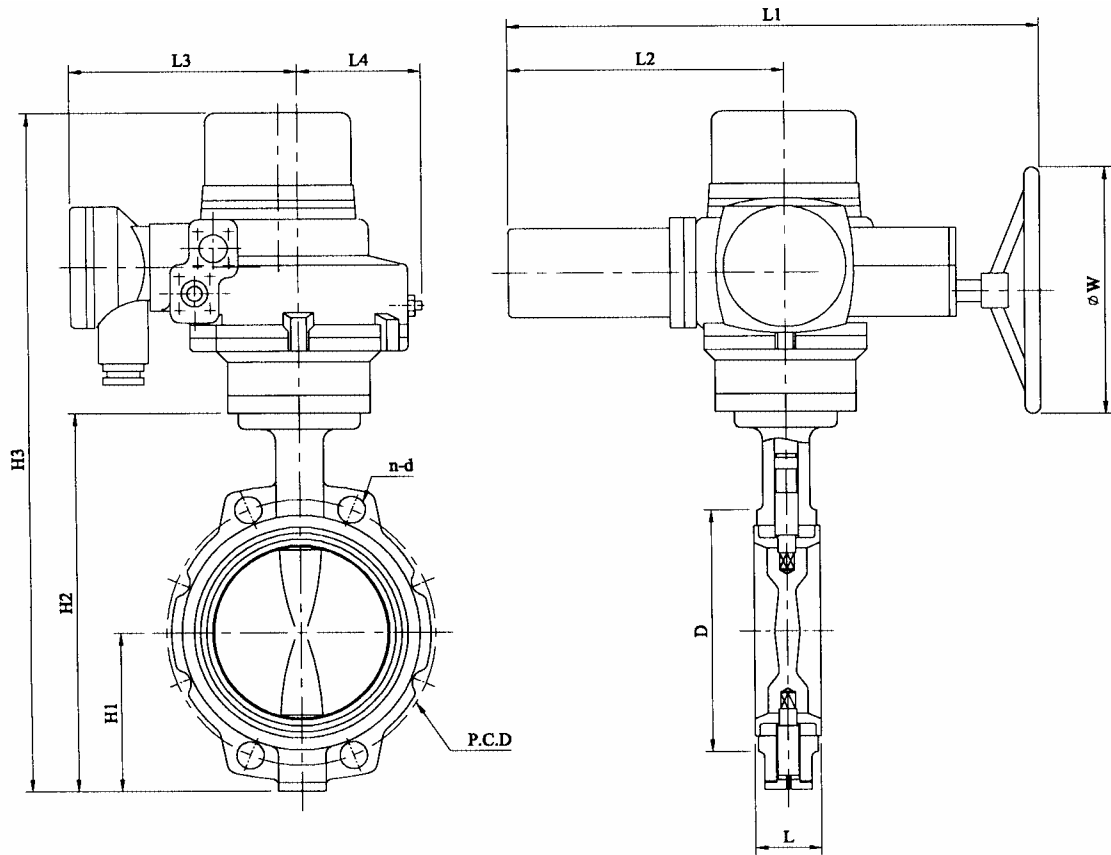
E-600M-LQA00-1-B-N
S

REV

A

KOSO

BUTTERFLY VALVE *Motoried Actuator*



DIMENSIONS

UNIT : mm

VALVE SIZE		JIS 5K	JIS 10K	ANSI 150#	PN 1.0 MPa	ACTUATOR						
CODE	No.	L	H1	H2	H3	D	L1	L2	L3	L4	W	CODE NO.
10"	10" (250A)	68	198	466	753	332	552	330	254	156	360	802.60-1
12"	12" (300A)	78	229	535	822	376	552	330	254	156	360	802.120-1
14"	14" (350A)	78	275	605	892	422	552	330	254	156	360	802.120-1

*FLANGE IS FOLLOWING TO A STANDARD WHICH IS DESCRIBED ON SPECIFICATION SHEET.

VALVE SIZE	JIS 5K		JIS 10K		ANSI 150#		JB PN 1.0 MPa		HG PN 1.0 MPa	
	P.C.D	n-d	P.C.D	n-d	P.C.D	n-d	P.C.D	n-d	P.C.D	n-d
10" (250A)	345	12-23	355	12-25	361.9	12-25	350	12-23	350	12-22
12" (300A)	390	12-23	400	16-25	431.8	12-25	400	12-23	400	12-22
14" (350A)	435	12-25	445	16-25	476.2	12-30	460	16-23	460	16-22

NOTE :

DRAWING No.	
E - 600M - 802.000 - 1 - B - N - S	
REV	KOSO
A	