

STANDARD SPECIFICATION

SS-CE-550G-D NOV. 2009

KOSO

550G 多孔式套筒导向型调节阀

Multi-hole Cage Guided Control Valves

概 要

该系列调节阀为了达到低噪音和防空化的目的，采用多孔式套筒取代 501G 标准型套筒。因此，除了多孔式套筒以外其余的零件都能和 501G 系列调节阀互换。

该系列如不能满足流体条件，可选用 KOSO 多级降压式套筒导向型调节阀。

GENERAL

This Series provides control valves that meet low noise and anti-cavitation requirements by incorporating a multi-hole type cages, instead of the standard cages, in the 501G Series cage guided control valves. All the parts except the multi-hole cage are interchangeable with the parts of the 501G Series accordingly. For those severe fluid conditions that cannot be covered by this Series, please select KOSO multi-stage type control valves.

标准规格 STANDARD SPECIFICATION**本体部 BODY**

| | | |
|--|---|-----------------------------|
| 形 式 Type | 流体压力平衡型阀芯 | Pressure balanced plug type |
| 公称口径 Body size | 1"~18" (25A~450A 即 DN25~DN450) | |
| 阀芯形状 Plug form | 流体压力平衡型阀芯 | Pressure balanced plug type |
| 流量特性 Characteristics | 线性、改良等百分比 | Linear, Modified EQ% |
| 阀内件材质 Trim materials 阀内件处理 Trim treatment | 标准材质组合及使用温度·压力范围，请参见图 1。 See Fig.1 for hardening treatment and operating pressure-temperature. | |
| 公称压力 Body rating | JIS 10K, 20K, 30K, 40K ; ANSI Class 150, 300, 600 ; PN 16, 40, 63, 100 *① | |
| 连接方式 Body connections | 法兰型 (RF、RTJ、凹凸式)、焊接型 (2B 以下为 SW, 3B 以上为 BW) Flanged (RF、RTJ、MFM), Weld ends (SW : 2" and under, BW : 3" and over) | |
| 法 兰 距 Face to Face dimension | 请参见第 15~26 页。 See pages 15~26. | |
| 阀 体 及 上 阀 盖 材 质 Body & Bonnet Material | SCPH2/WCB, SCPH21/WC6, SCPH61/C5, SCPL1/LCB, SCS13A/CF8, SCS14A /CF8M, SCS16A/CF3M, SCS19A/CF3, and other alloy steels. 各种材质的使用温度·压力范围，请参见表 1 和表 2。 As to the operating pressure-temperature limitation for each material, see Tables 1 and 2. | |
| 上 阀 盖 形 式 Bonnet type | 标准型 Standard type : -17~+230℃ 散热片型 Fin-Extension type : -45~-17℃或者超过 230℃ 的场合 -45~under -17℃ or over +230℃ 加长型 Long-Extension type : -196~-45℃ 但必须注意各材质的使用温度·压力范围。 Note : The allowable operating pressure-temperature limitation for each material. | |
| 填 料 Packing | 强化聚四氟乙烯 V 形填料、聚四氟乙烯碳纤维、聚四氟乙烯纤维及柔性石墨。 各种填料的使用温度·压力范围，请参见图 3。 R.TFE V-ring, Teflon carbon, Teflon fiber, Grafoil, etc. See Fig. 3 for selection. | |
| 垫 圈 Gasket | 缠绕式垫圈 (聚四氟乙烯 / SUS316、柔性石墨 / SUS316) 各种垫圈的使用温度·压力范围，请参见图 4。 Spiral wound metal, with Grafoil or Teflon filler. See Fig. 4 for selection. | |
| 表面涂层色 Painting color | 银灰色 (环氧树脂)。但是阀体材质为不锈钢时，本体部不加涂层。 Munsell N-6 (Epoxy resin group) is standard. In the case of stainless steel body, no painting is standard. | |

*① PN16 表示 JB/T79.1-94(或 HG20596-97) PN1.6MPa; PN40, 63, 100 表示 JB/T79.2-94(或 HG20596-97) PN4.0, 6.3, 10MPa。

执行机构 ACTUATOR

| | | | | |
|--|--|--|---|---|
| 型号 Type | 气动薄膜式 Diaphragm type | 全电子式 Solid State Electronic type | | 气缸式 Pneumatic Cylinder type |
| | 5200LA | 3500LB | 3600LA | 6300LA |
| 规格 Specification | 多弹簧型 Multi-spring type | 直流电机 分辨率: 0.3% DC Motor resolution : 0.3% | 交流电机 分辨率: 0.4% AC Motor resolution : 0.4% | 双动作型 Double acting type |
| 用途 Purpose | 调节 Modulation | 调节 Modulation | | 调节 Modulation |
| 供气压力或 供电电压 Air supply or Power supply | 供气压力 (弹簧范围) Air supply (Spring range) 140 (20~100) KPa G 300 (80~200) KPa G 340 (80~200) KPa G 340 (120~300) KPa G | 供电电压 : 220V 50/60Hz Power supply 输入信号 : 4~20 mA DC Input signal | | 供气压力: 400~500 KPa G Air supply |
| 接口 Connection | 空气配管: 请参照 15~22 页。 Air piping : See pages 15~22. | 配线: 请参照 23~24 页。 Wiring : See pages 23~24. | | 空气配管: 请参照 25~26 页。 Air piping : See pages 25~26. |
| 正作用 Direct action | 气压增加阀闭 Air to valve shut | 输入信号增加阀闭 Signal increase to valve shut | | 随输入定位器信号增加 阀开或阀闭。 Valve open or shut by air or electric signal. |
| 反作用 Reverse action | 气压增加阀开 Air to valve open | 输入信号增加阀开 Signal increase to valve open | | |
| 滞后 Hysteresis | ≤1% FS (带定位器) ≤1% of FS with positioner | ≤0.5% FS ≤0.5% of FS | ≤0.8% FS ≤0.8% of FS | ≤1.5% FS (带定位器) ≤1.5% of FS with positioner |
| 直线性 Linearity | ≤±2% FS (带定位器) ≤±2% of FS with positioner | ≤±1% FS ≤±1% of FS | ≤±1% FS ≤±1% of FS | ≤±2% FS (带定位器) ≤±2% of FS with positioner |
| 允许环境温度 Ambient Temp. | -10~+70℃ | -10~+50℃ | | -20~+60℃ |
| 标准涂层色 Painting | 银色环氧树脂 Munsell : N-6 | S 型 P4417 (蓝色) Metallic blue | | 银色环氧树脂 Munsell : N-6 |
| 选购设备 Option | E/P • P/P-Positioner, Air-set, Solenoid valve, Limit switch, Speed controller Lock valve, Lock-up valve Manual handle, etc | Resolution : 0.1%, Split range, Position transmitter | Overload unit | E/P • P/P-Positioner, Air-set, Solenoid valve, Limit switch, Speed controller, Lock valve, Lock-up valve, Manual handle, etc |
| | | Space heater, Junction box, Manual handle, etc | | |

性能 PERFORMANCE

| | |
|----------------------------------|---|
| 额定 Cv 值 Rated Cv | 请参见表 3。 See Table 3. |
| 流量特性 Flow characteristics | 线性、改良等百分比 Linear, Mod. EQ% |
| 可调比 R Rangeability | 请参见表 3。 See Table 3. |
| 阀座泄漏量 Seat Leakage | 请参见表 1。 See Table 1. (可选用 Option : ANSI CLASS V) |
| 允许压差 Allowable pressure drops | 请参见表 4。 See Table 4. |

特殊规格 (有偿) OPTIONAL SPECIAL SPECIFICATIONS (additional cost is required)

| | |
|---|---|
| 本体部特殊检查 Special testing for Body | 材料检查 {液体渗透探伤检查 (PT)、放射线检查 (RT)}、流量特性检查、低温试验、蒸汽试验 Material certificate, Liquid penetrant testing, Radiographic testing, Flow characteristic testing, Low temperature testing, Steam testing. |
| 本体部特殊清洗 Special cleaning for Body | 完全禁油、除水处理 Oxygen clean, Oil-free, Water-free |
| 本体部及执行机构特殊规格 Special specification for Body and Actuator | 防砂、防尘型、防盐腐蚀型、寒冷地区用、热带地区用、无铜处理、特殊空气配管及特殊气接头、真空工作条件用、接触大气部分的螺栓、螺母采用不锈钢、指定涂层色 Sand and Dust proof, Salty environment proof, Cold area proof, Tropical area proof Copper-free alloy, Special piping and fitting, Vacuum service proof, SUS bolt and nut for exposed parts, Non-standard painting. |
| 认证 Authorization | 获得高压气体认定法的认定 Japanese government authorization for high pressure gas. |

表 1 阀体、阀内件材质组合及使用温度范围·阀座允许泄漏量

Table 1 BODY/TRIM STANDARD MATERIAL COMBINATION, OPERATING TEMPERATURE AND SEAT LEAKAGE.

- ① 根据阀内件的材质·处理而确定的使用温度·压力范围请参见图 1。
 ② 当阀座泄漏率要达到 ANSI Class V 时, 请与 KOSO 确认。
 ① Trim material/treatment vs operating temperature-pressure range : See Fig. 1.
 ② When ANSI Class V for seat leakage is required, please consult with us.

- R.TFE : 强化聚四氟乙烯 Reinforced Teflon ● HT : 热处理 Heat treatment
 ● Hcr : 镀硬铬 Hard chrome plated ● SF : 全部堆焊司太莱合金 Stellite full surface
 ● PH : 析出硬化热处理 Precipitation hardening ● SS : 部分堆焊司太莱合金 Stellite seat

表 1-1 本体部材质: 碳钢

Table 1-1 BODY MATERIAL : CARBON STEEL

| 阀体材质 Body material | SCPH2/A216-WCB, SCPH21/A217-WC6, SCPH61/A217-C5, SCPL1/A352-LCB | | | | |
|----------------------------------|---|-------------------|----------|--------------|--------------------|
| 套筒 Cage | 材质 Material | SUS410 | | | INCONEL |
| | 处理 Treatment | HT | | | HT |
| 阀芯 Plug | 材质 Material | SUS410 | | | SFVA F11A/A182-F11 |
| | 处理 Treatment | HT | | | SF |
| 阀座 Seat ring | 材质 Material | SUS316+R.TFE | SUS410 | | SFVA F11A/A182-F11 |
| | 处理 Treatment | — | HT | | SS |
| 平衡密封环 Balance seal | 材质 Material | R.TFE | R.TFE | 柔性石墨 Grafoil | 柔性石墨 Grafoil |
| | 垫环 Back ring | SUS316 | SUS316 | — | — |
| 阀座允许泄漏量 Seat Leakage | ANSI | Class VI | Class IV | Class IV | Class IV |
| | Rated Cv× | 微气泡级 bubble-tight | 0.01% | 0.01% | 0.01% |
| 使用温度 Operating temperature °C | SCPH2/WCB Body | -5~+200 | -5~+230 | -5~+425 | -5~+538 |
| | SCPH21/WC6 Body | | | | |
| | SCPH61/C5 Body | -45~+200 | -45~+230 | -45~+350 | -45~+350 |
| | SCPL1/LCB Body | | | | |

表 1-2 本体部材质: SCS13A/A351-CF8

Table 1-2 BODY MATERIAL : SCS13A/A351-CF8

| 阀体材质 Body material | SCS13A/A351-CF8 | | | | |
|----------------------------|-----------------|-------------------|-----------|--------------|--------------|
| 套筒 Cage | 材质 Material | SUS316 | SUS316 | INCONEL | SUS316 |
| | 处理 Treatment | — | — | HT | — |
| 阀芯 Plug | 材质 Material | SUS316 | SUS316 | SUS630 | SUS316 |
| | 处理 Treatment | Hcr | Hcr+SS | PH | SF |
| 阀座 Seat ring | 材质 Material | SUS316+R.TFE | SUS316 | SUS316 | SUS316 |
| | 处理 Treatment | — | SS | SS | SF |
| 平衡密封环 Balance seal | 材质 Material | R.TFE | R.TFE*① | 柔性石墨 Grafoil | 柔性石墨 Grafoil |
| | 垫环 Back ring | SUS316 | SUS316 | — | — |
| 阀座允许泄漏量 Seat Leakage | ANSI | Class VI | Class IV | Class IV | Class IV |
| | Rated Cv× | 微气泡级 bubble-tight | 0.01% | 0.01% | 0.01% |
| 使用温度 Operating Temp. °C | | -75~+200 | -196~+230 | -45~+300 | -196~+538 |

*①流体温度在-75℃以下的场合, 平衡密封环的材质: Fluoroloy G; 垫环材质: Elgiloy。

When the fluid temperature is below -75°C, the materials for the balance seal and the back ring will be Fluoroloy G and Elgiloy, respectively.

表 1-3 本体部材质: SCS14A/A351-CF8M

Table 1-3 BODY MATERIAL : SCS14A/A351-CF8M

| 阀体材质 Body material | | SCS14A/A351-CF8M | | | |
|-------------------------|--------------|-------------------|-----------|--------------|--------------|
| 套筒 Cage | 材质 Material | SUS316 | | | |
| | 处理 Treatment | — | | | |
| 阀芯 Plug | 材质 Material | SUS316 | SUS316 | SUS316 | SUS316 |
| | 处理 Treatment | Hcr | Hcr+SS | Hcr+SS | SF |
| 阀座 Seat ring | 材质 Material | SUS316+R.TFE | SUS316 | SUS316 | SUS316 |
| | 处理 Treatment | — | SS | SS | SF |
| 平衡密封环 Balance seal | 材质 Material | R.TFE | R.TFE*① | 柔性石墨 Grafoil | 柔性石墨 Grafoil |
| | 垫环 Back ring | SUS316 | SUS316 | — | — |
| 阀座允许泄漏量 Seat Leakage | ANSI | Class VI | Class IV | Class IV | Class IV |
| | Rated Cv× | 微气泡级 bubble-tight | 0.01% | 0.01% | 0.01% |
| 使用温度 Operating Temp. °C | | -75~+200 | -196~+230 | -196~+538 | -196~+538 |

*①流体温度在-75℃以下的场合，平衡密封环的材质: Fluoroloy G ; 垫环材质: Elgiloy。

When the fluid temperature is below -75℃, the materials for the balance seal and the back ring will be Fluoroloy G and Elgiloy, respectively.

表 2 阀体材质的使用温度·压力范围

Table 2 BODY MATERIAL/OPERATING PRESSURE-TEMPERATURE RATING

表 2-1 Table 2-1 ANSI

UNIT : MPa G

| 温度 Temp. °C | Class 150 | | | | | | Class 300 | | | | | | Class 600 | | | | | |
|-------------------|-----------|-------|--------|--------|--------|--------|-----------|-------|--------|--------|--------|--------|-----------|-------|--------|--------|--------|--------|
| | SCPL1 | SCPH2 | SCPH21 | SCPH61 | SCS13A | SCS14A | SCPL1 | SCPH2 | SCPH21 | SCPH61 | SCS13A | SCS14A | SCPL1 | SCPH2 | SCPH21 | SCPH61 | SCS13A | SCS14A |
| | LCB | WCB | WC6 | C5 | CF8 | CF8M | LCB | WCB | WC6 | C5 | CF8 | CF8M | LCB | WCB | WC6 | C5 | CF8 | CF8M |
| -196~38 | — | — | — | — | 1.90 | 1.90 | — | — | — | — | 4.95 | 4.95 | — | — | — | — | 9.91 | 9.92 |
| -45~38 | 1.84 | — | — | — | 1.90 | 1.90 | 4.78 | — | — | — | 4.95 | 4.95 | 9.57 | — | — | — | 9.91 | 9.92 |
| -5~38 | 1.84 | 1.96 | 1.99 | 1.99 | 1.90 | 1.90 | 4.78 | 5.10 | 5.16 | 5.16 | 4.95 | 4.95 | 9.57 | 10.20 | 10.32 | 10.32 | 9.91 | 9.92 |
| 50 | 1.81 | 1.92 | 1.92 | 1.92 | 1.84 | 1.84 | 4.72 | 5.00 | 5.10 | 5.16 | 4.77 | 4.80 | 9.46 | 10.01 | 10.22 | 10.32 | 9.56 | 9.62 |
| 100 | 1.72 | 1.76 | 1.76 | 1.76 | 1.56 | 1.61 | 4.51 | 4.63 | 4.88 | 5.14 | 4.08 | 4.21 | 9.02 | 9.27 | 9.74 | 10.29 | 8.17 | 8.43 |
| 150 | 1.57 | 1.57 | 1.57 | 1.57 | 1.39 | 1.47 | 4.40 | 4.51 | 4.63 | 5.01 | 3.62 | 3.85 | 8.78 | 9.04 | 9.26 | 10.03 | 7.26 | 7.69 |
| 200 | 1.40 | 1.40 | 1.40 | 1.40 | 1.25 | 1.37 | 4.26 | 4.38 | 4.54 | 4.88 | 3.27 | 3.56 | 8.54 | 8.75 | 9.09 | 9.75 | 6.54 | 7.12 |
| 250 | 1.20 | 1.20 | 1.20 | 1.20 | 1.16 | 1.20 | 4.05 | 4.16 | 4.44 | 4.62 | 3.04 | 3.34 | 8.11 | 8.33 | 8.88 | 9.26 | 6.10 | 6.67 |
| 300 | 1.01 | 1.01 | 1.01 | 1.01 | 1.01 | 1.01 | 3.76 | 3.87 | 4.23 | 4.23 | 2.91 | 3.15 | 7.54 | 7.74 | 8.48 | 8.48 | 5.80 | 6.32 |
| 350 | 0.84 | 0.84 | 0.84 | 0.84 | 0.84 | 0.84 | 3.59 | 3.69 | 4.01 | 4.01 | 2.81 | 3.03 | 7.18 | 7.38 | 8.04 | 8.04 | 5.60 | 6.07 |
| 375 | | 0.73 | 0.73 | 0.73 | 0.73 | 0.73 | | 3.64 | 3.88 | 3.88 | 2.77 | 2.96 | | 7.28 | 7.75 | 7.75 | 5.54 | 5.93 |
| 400 | | 0.64 | 0.64 | 0.64 | 0.64 | 0.64 | | 3.44 | 3.65 | 3.65 | 2.74 | 2.91 | | 6.89 | 7.31 | 7.31 | 5.48 | 5.81 |
| 425 | | 0.55 | 0.55 | 0.55 | 0.55 | 0.55 | | 2.88 | 3.50 | 3.44 | 2.71 | 2.87 | | 5.74 | 7.01 | 6.91 | 5.42 | 5.72 |
| 450 | | 0.47 | 0.47 | 0.47 | 0.47 | 0.47 | | 1.99 | 3.38 | 3.08 | 2.68 | 2.81 | | 4.00 | 6.75 | 6.17 | 5.37 | 5.61 |
| 475 | | 0.37 | 0.37 | 0.37 | 0.37 | 0.37 | | 1.35 | 3.16 | 2.58 | 2.65 | 2.73 | | 2.70 | 6.32 | 5.17 | 5.30 | 5.46 |
| 500 | | 0.28 | 0.28 | 0.28 | 0.28 | 0.28 | | 0.88 | 2.77 | 2.02 | 2.60 | 2.67 | | 1.75 | 5.55 | 4.04 | 5.20 | 5.37 |
| 525 | | 0.18 | 0.18 | 0.18 | 0.18 | 0.18 | | 0.51 | 2.02 | 1.53 | 2.19 | 2.57 | | 1.03 | 4.04 | 3.07 | 4.77 | 5.15 |
| 538 | | 0.13 | 0.15 | 0.15 | 0.15 | 0.15 | | 0.34 | 1.63 | 1.34 | 2.18 | 2.53 | | 0.72 | 3.26 | 2.69 | 4.55 | 5.06 |

表 2-2 Table 2-2 JIS

UNIT : MPa G

| 温度 Temp. °C | 10K | 20K | 30K | | 40K | |
|----------------|-------|-------|-------|--------|-------|--------|
| | SCPH2 | SCPH2 | SCPH2 | SCPH21 | SCPH2 | SCPH21 |
| -5~120 | 1.37 | 3.33 | 4.99 | 4.99 | 6.66 | 6.66 |
| ~220 | 1.17 | 3.03 | 4.50 | 4.50 | 6.07 | 6.07 |
| ~300 | 0.98 | 2.84 | 4.21 | 4.21 | 5.58 | 5.58 |
| ~350 | | 2.54 | 3.82 | 3.82 | 5.09 | 5.09 |
| ~400 | | 2.25 | 3.33 | 3.72 | 4.50 | 4.99 |
| ~425 | | 1.96 | 2.94 | 3.52 | 3.92 | 4.70 |
| ~450 | | | | | | 4.41 |
| ~475 | | | | | | 4.11 |
| ~490 | | | | | | 3.92 |
| ~500 | | | | | | 3.72 |
| ~510 | | | | | | 3.52 |

表 2-3 Table 2-3 JB / T79-94 或 HG20596-97

UNIT : MPa G

| 温度 Temp. °C | PN16 | PN40 | PN63 | PN100 | 温度 Temp. °C | PN16 | PN40 | PN63 | PN100 |
|----------------|-----------|------|------|-------|----------------|------------|------|------|-------|
| | ZG230-450 | | | | | ZG0Cr18Ni9 | | | |
| -5~200 | 1.60 | 4.00 | 6.30 | 10.00 | -45~200 | 1.60 | 4.00 | 6.30 | 10.00 |
| ~250 | 1.40 | 3.50 | 5.40 | 9.00 | ~300 | 1.40 | 3.50 | 5.40 | 9.00 |
| ~300 | 1.20 | 3.00 | 4.80 | 7.50 | ~400 | 1.20 | 3.00 | 4.80 | 7.50 |
| ~350 | 1.10 | 2.60 | 4.00 | 6.60 | ~480 | 1.10 | 2.60 | 4.00 | 6.60 |
| ~400 | 0.90 | 2.30 | 3.70 | 5.80 | ~520 | 0.90 | 2.30 | 3.70 | 5.80 |
| ~425 | 0.80 | 2.00 | 3.20 | 5.00 | ~560 | 0.80 | 2.00 | 3.20 | 5.00 |
| ~435 | 0.70 | 1.80 | 2.80 | 4.50 | | | | | |
| ~445 | 0.62 | 1.60 | 2.50 | 4.20 | | | | | |
| ~455 | 0.57 | 1.40 | 2.30 | 3.60 | | | | | |

图 1 阀内件材质 处理及使用温度

Fig. 1 OPERATING TEMPERATURE AND PRESSURE DROPS FOR TRIM MATERIAL COMBINATIONS

图 1-1 Fig. 1-1

| | | |
|----|-----------|-----------|
| 套筒 | Cage | SUS410 HT |
| 阀芯 | Plug | SUS410 HT |
| 阀座 | Seat ring | SUS410 HT |

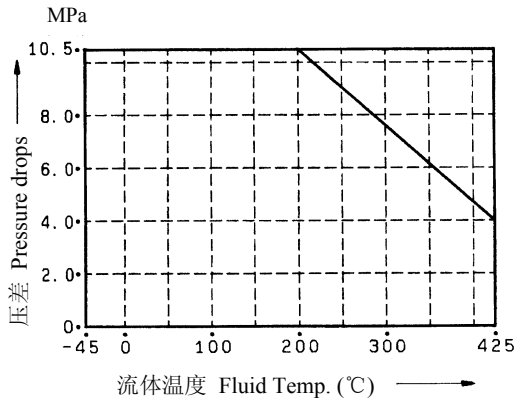


图 1-2 Fig. 1-2

| | | |
|----|-----------|-------------|
| 套筒 | Cage | INCONEL HT |
| 阀芯 | Plug | A182-F11 SF |
| 阀座 | Seat ring | A182-F11 SF |

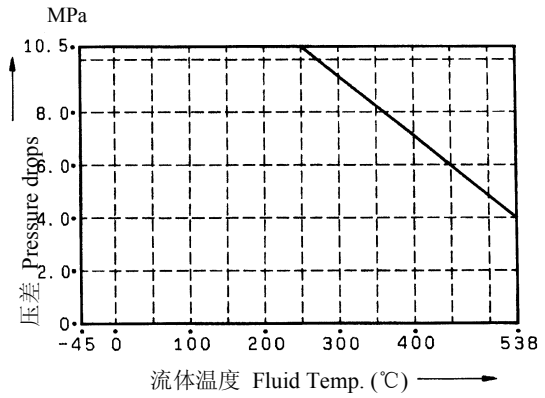


图 1-3 Fig. 1-3

| | | |
|----|-----------|------------|
| 套筒 | Cage | INCONEL HT |
| 阀芯 | Plug | SUS630 PH |
| 阀座 | Seat ring | SUS316 SS |

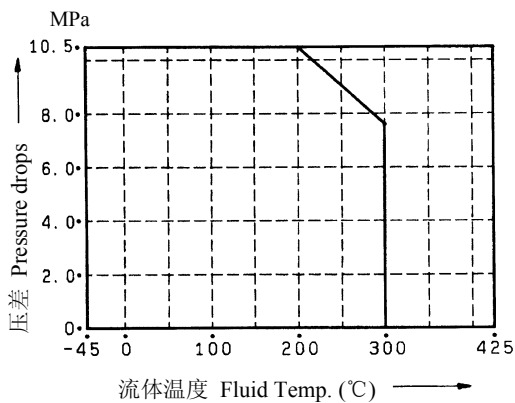


图 1-4 Fig. 1-4

| | | | |
|----|-----------|-----------|---------------|
| 套筒 | Cage | SUS316 | SUS316 |
| 阀芯 | Plug | SUS316 SF | SUS316 Hcr+SS |
| 阀座 | Seat ring | SUS316 SF | SUS316 SS |

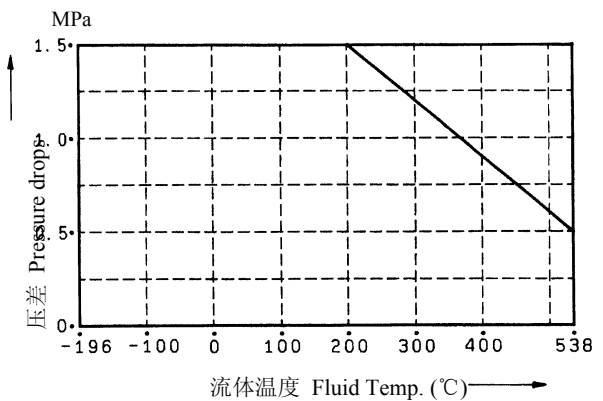


图 1-5 Fig. 1-5

| | | | |
|----|-----------|--------------|------------|
| 套筒 | Cage | SUS410 | SUS316 |
| 阀芯 | Plug | SUS410 | SUS316 Hcr |
| 阀座 | Seat ring | SUS316+R.TFE | |

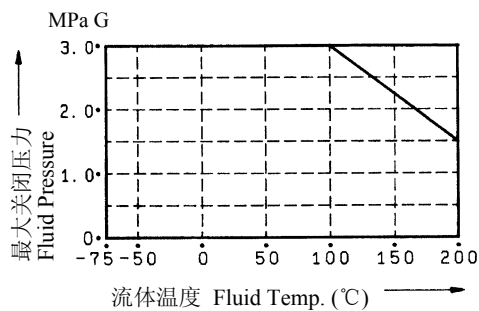


图 2 平衡密封环使用温度

Fig. 2 BALANCE SEAL PRESSURE-TEMPERATURE RATINGS

图 2-1 强化聚四氟乙烯/SUS316

Fig. 2-1 R.TFE/SUS316

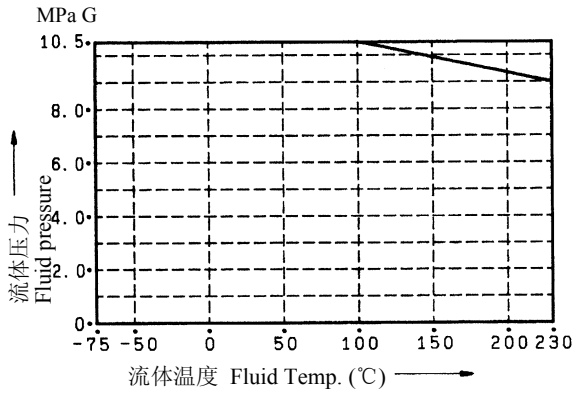


图 2-2 柔性石墨

Fig. 2-2 GRAFOIL

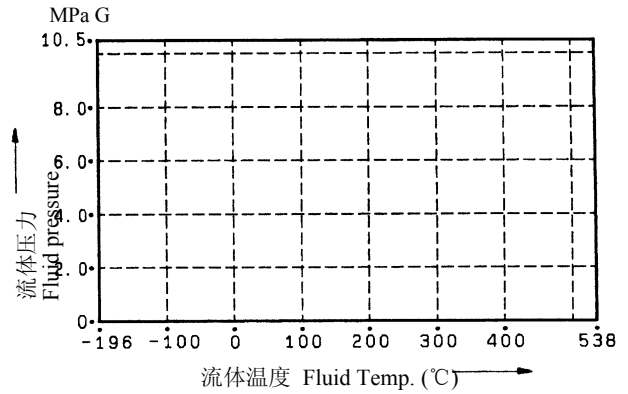


图 2-3 FLUOROLOY G/ELGILOY

Fig. 2-3 FLUOROLOY G/ELGILOY

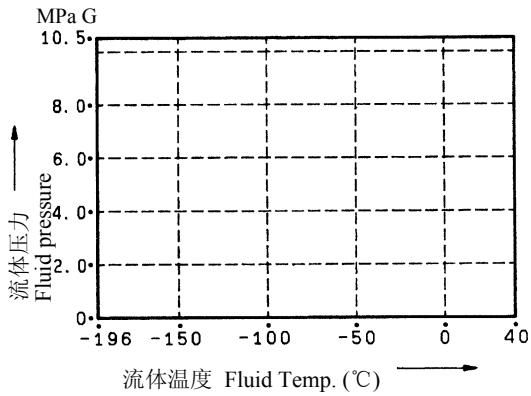


图 3 填料使用温度

Fig. 3 GLAND PACKING PRESSURE-TEMPERATURE RATINGS

图 3-1 强化聚四氟乙烯 V 形填料

Fig. 3-1 R.TFE V-RING

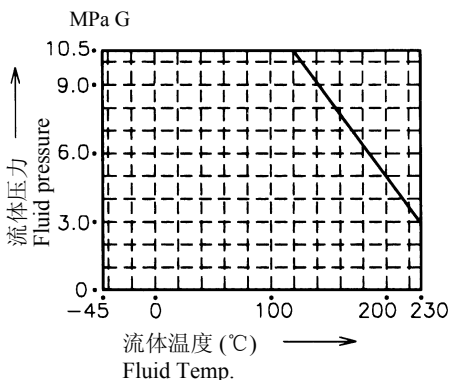


图 3-2 聚四氟乙烯碳纤维(P4519)

Fig. 3-2 TFE CARBON

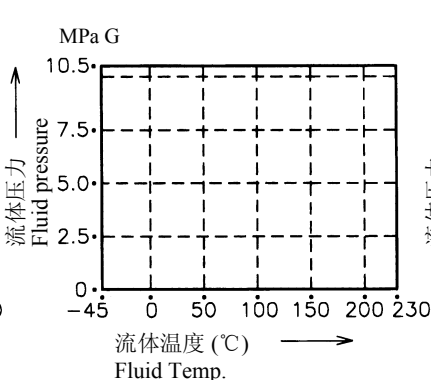


图 3-3 聚四氟乙烯纤维 + 纯聚四氟乙烯

Fig. 3-3 TFE FIBER + PURE TFE (P4525 + P4390W₂)禁油用

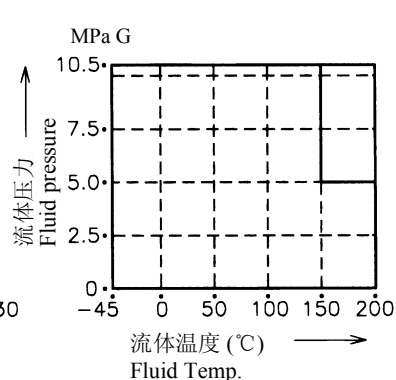


图 3-4 柔性石墨

Fig. 3-4 GRAFOIL

(P6710CH+P6610CH)

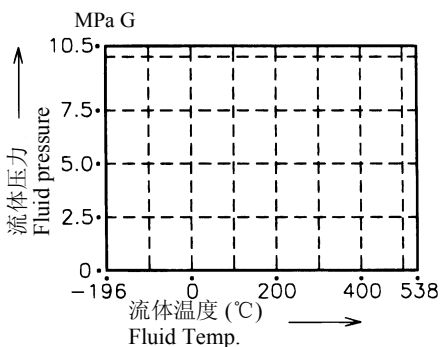


图 3-5 柔性石墨(P6315CL)

Fig.3-5 GRAFOIL

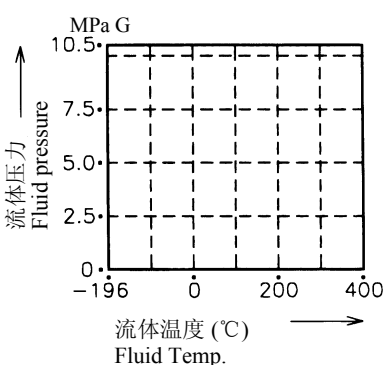


图 4 垫圈使用温度

Fig. 4 GASKET PRESSURE-TEMPERATURE RATINGS

图 4-1 柔性石墨 / SUS316(T/#1806GR)

Fig. 4-1 GRAFOIL/SUS316

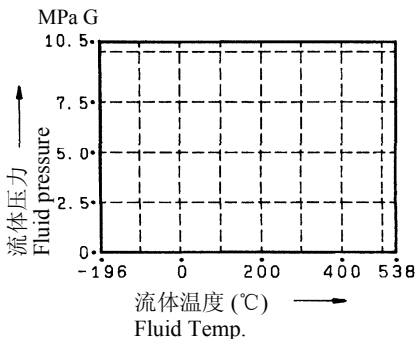


图 4-2 聚四氟乙烯 / SUS316(T/#9090)

Fig. 4-2 TEFLON/ SUS316

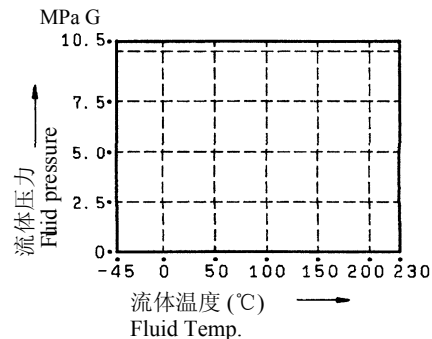


图 5 本体部构造

Fig. 5 BODY SECTION VIEW

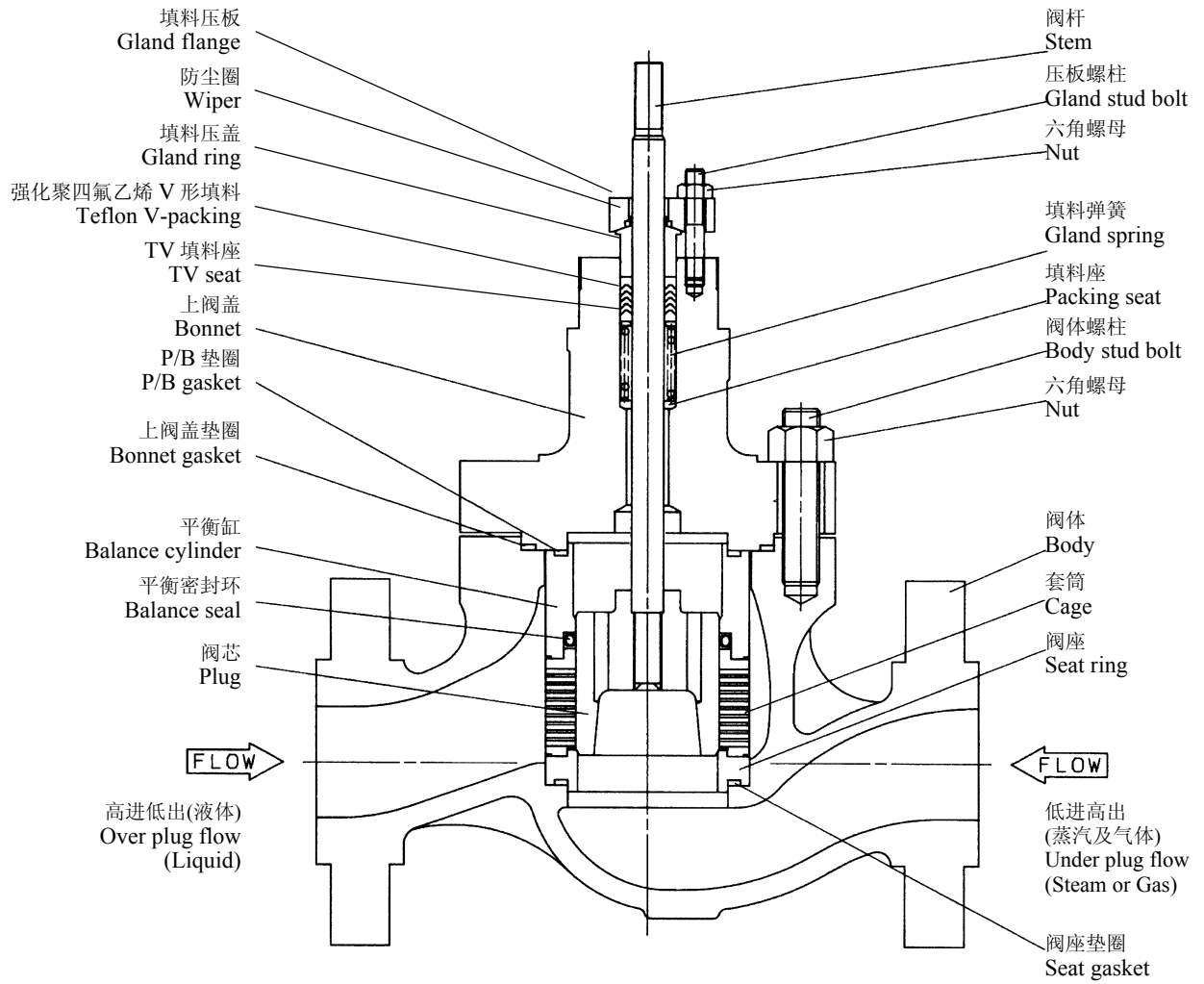


表3 额定 Cv 及行程

Table 3 Cv VALUE AND STROKE

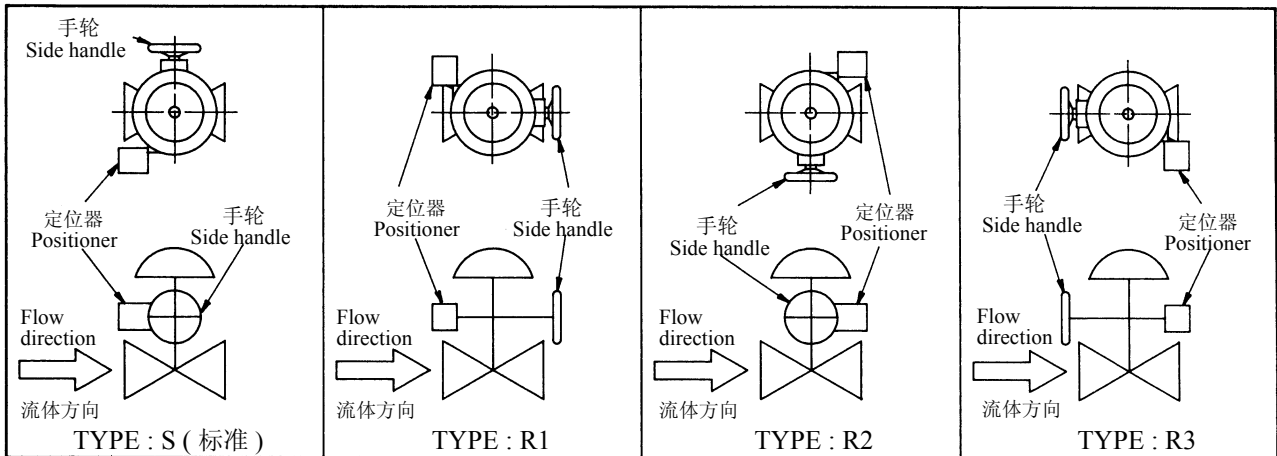
| 公称通径 Valve size inch (mm) | 阀芯尺寸 Plug size inch (mm) | 最小可控 Min. Cv | | 额定 Cv Rated Cv | | 行程 Stroke mm |
|---------------------------------|--------------------------------|--------------|------------------------|----------------|------------------------|--------------------|
| | | 线性 Linear | 改良等百分比 Modified EQ% | 线性 Linear | 改良等百分比 Modified EQ% | |
| 1 (25) | 5/8 (16) | 0.55 | 0.17 | 6.3 | 5.7 | 20 |
| | 1 (25) | 1.00 | 0.43 | 14 | 11 | |
| 1.5 (40) | 1 (25) | 1.00 | 0.43 | 17 | 13 | 20 |
| | 1.25 (32) | 1.30 | 0.69 | 25 | 20 | 20 |
| | 1.5 (40) | 2.30 | 1.00 | 34 | 27 | 25 |
| 2 (50) | 1.25 (32) | 1.30 | 0.69 | 25 | 20 | 20 |
| | 1.5 (40) | 2.30 | 1.00 | 43 | 31 | 25 |
| | 2 (50) | 3.10 | 1.40 | 54 | 46 | 30 |
| 3 (80) | 2 (50) | 3.1 | 1.4 | 69 | 54 | 30 |
| | 2.5 (65) | 3.7 | 1.6 | 95 | 83 | 40 |
| | 3 (80) | 5.4 | 2.7 | 120 | 92 | 40 |
| 4 (100) | 2.5 (65) | 3.7 | 1.6 | 95 | 83 | 40 |
| | 3 (80) | 5.4 | 2.7 | 130 | 100 | 40 |
| | 4 (100) | 8.3 | 3.7 | 200 | 166 | 50 |
| 6 (150) | 4 (100) | 8.3 | 3.7 | 230 | 194 | 50 |
| | 5 (125) | 10.4 | 4.4 | 310 | 250 | 60 |
| | 6 (150) | 15.0 | 6.8 | 390 | 300 | 60 |
| 8 (200) | 6 (150) | 15.0 | 6.8 | 405 | 320 | 60 |
| | 8 (200) | 20.0 | 9.1 | 690 | 580 | 80 |
| 10 (250) | 8 (200) | 20.0 | 9.1 | 700 | 588 | 80 |
| | 10 (250) | 30.0 | 12.0 | 910 | 750 | 90 |
| 12 (300) | 10 (250) | 30.0 | 12.0 | 930 | 760 | 90 |
| | 12 (300) | 39.0 | 15.0 | 1230 | 1000 | 100 |
| 14 (350) | 12 (300) | 39.0 | 15.0 | 1270 | 1020 | 100 |
| | 14 (350) | 41.0 | 17.0 | 1560 | 1335 | 130 |
| 16 (400) | 14 (350) | 41.0 | 17.0 | 1630 | 1380 | 130 |
| | 16 (400) | 38.0 | 18.0 | 1890 | 1550 | 150 |
| 18 (450) | 16 (400) | 38.0 | 18.0 | 1890 | 1550 | 150 |
| | 18 (450) | 43.0 | 20.0 | 2220 | 1805 | 150 |

图 6. 控制阀安装方位 (5200LA)

Fig. 6 ACTUATOR MOUNTING FORMS FOR 5200LA

图 6-1. 执行机构尺寸: 218~450

Fig. 6-1 ACTUATOR SIZE : 218~450

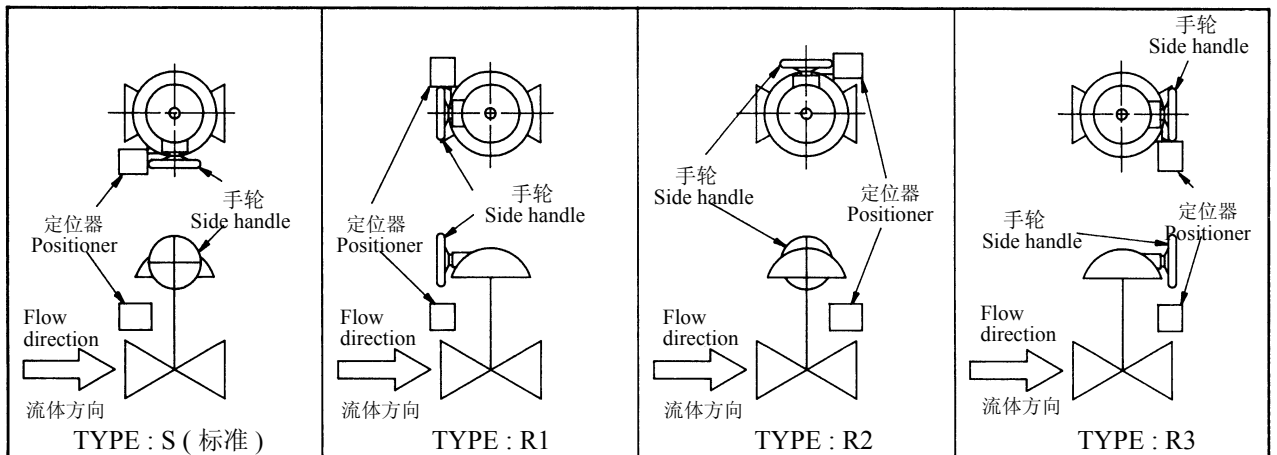


注) 安装位置为非标准时, 请指定安装位置的形式 (TYPE)。

NOTE : Type S is automatically applied, unless otherwise specified.

图 6-2. 执行机构尺寸: 650

Fig. 6-2 ACTUATOR SIZE : 650



注) 安装位置为非标准时, 请指定安装位置的形式 (TYPE)。

NOTE : Type S is automatically applied, unless otherwise specified.

表 5 与标准执行机构组合时的产品重量 (单位: kg)

Table 5 NET WEIGHT OF STANDARD VALVE AND ACTUATOR COMBINED (UNIT: kg)

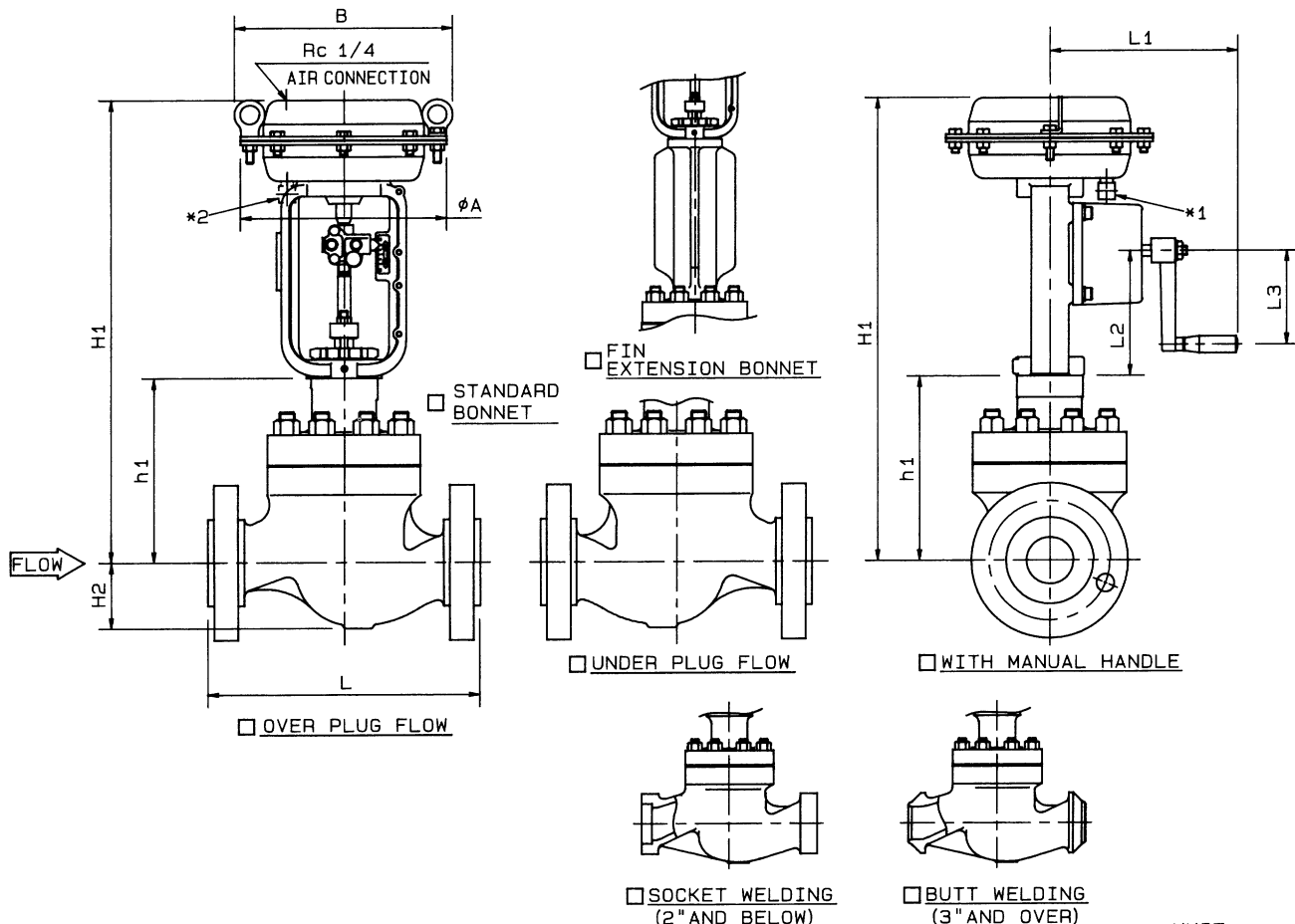
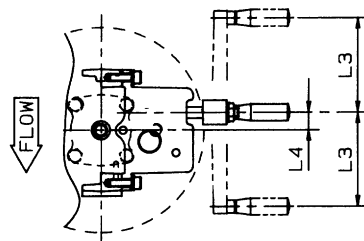
本表中所列重量, 均为执行机构和本体部的标准产品重量, 不包括附件、手动机构等。

Only standard types are represented. Weights of accessories, a handwheel and the like are not included.

| 公称通径 Valves size | 本体规格 Body rating class | | | 薄膜式执行机构 Diaphragm actuator size | | | | | | | 双动作气缸式执行机构 Double acting Cylinder actuator size | | | | | 电子式执行机构 Electronic actuator size | | | |
|---------------------|---------------------------|---------|--------|------------------------------------|-----|-----|-----|------|------|------|--|-----|------|------|------|-------------------------------------|------------------|------------------|------------------|
| | | | | 5200LA | | | | | | | 6300LA | | | | | 35A2LB | 35B1LB 35B2LB | 35C1LB 35C2LB | |
| | Inch (mm) | ANSI | JIS | PN | 218 | 270 | 350 | 450S | 450L | 650S | 650L | 150 | 200 | 300 | 450 | 600 | 36A2LA | 36B1LA 36B2LA | 36C1LA 36C2LA |
| 1 (25) | 150 | 10K | 16 | 18 | 24 | 40 | | | | | | | | | | | 16 | 22 | |
| | 300 | 20K、30K | 40 | 19 | 25 | 41 | | | | | | | | | | | 17 | 23 | |
| | 600 | 40K | 63、100 | 20 | 26 | 42 | | | | | | | | | | | 18 | 24 | |
| 1.5 (40) | 150 | 10K | 16 | 29 | 36 | 52 | | | | | | | | | | | 28 | 34 | |
| | 300 | 20K、30K | 40 | 34 | 41 | 57 | | | | | | | | | | | 33 | 39 | |
| | 600 | 40K | 63、100 | 39 | 46 | 62 | | | | | | | | | | | 38 | 44 | |
| 2 (50) | 150 | 10K | 16 | | 41 | 57 | 92 | | | | | | | | | | 33 | 39 | |
| | 300 | 20K、30K | 40 | | 46 | 62 | 97 | | | | | | | | | | 38 | 44 | |
| | 600 | 40K | 63、100 | | 51 | 67 | 102 | | | | | | | | | | 43 | 49 | |
| 3 (80) | 150 | 10K | 16 | | 56 | 72 | 107 | | | | | | | | | | 48 | 54 | 90 |
| | 300 | 20K、30K | 40 | | 66 | 82 | 117 | | | | | | | | | | 58 | 64 | 100 |
| | 600 | 40K | 63、100 | | 91 | 107 | 142 | | | | | | | | | | 83 | 89 | 125 |
| 4 (100) | 150 | 10K | 16 | | | | 115 | 137 | 242 | | | | | | | | | 64 | 100 |
| | 300 | 20K、30K | 40 | | | | 130 | 152 | 257 | | | | | | | | | 79 | 115 |
| | 600 | 40K | 63、100 | | | | 175 | 197 | 302 | | | | | | | | | 124 | 160 |
| 6 (150) | 150 | 10K | 16 | | | | | 200 | 322 | | 160 | 185 | 220 | | | | | 144 | 180 |
| | 300 | 20K、30K | 40 | | | | | 230 | 352 | | 190 | 215 | 250 | | | | | 174 | 210 |
| | 600 | 40K | 63、100 | | | | | 280 | 402 | | 250 | 275 | 310 | | | | | 224 | 260 |
| 8 (200) | 150 | 10K | 16 | | | | | 280 | 402 | | | 285 | 320 | 426 | | | | | 260 |
| | 300 | 20K、30K | 40 | | | | | 330 | 452 | | | 295 | 330 | 436 | | | | | 310 |
| | 600 | 40K | 63、100 | | | | | 450 | 572 | | | 405 | 440 | 546 | | | | | 430 |
| 10 (250) | 150 | 10K | 16 | | | | | 470 | | 603 | | | 460 | 566 | | | | | 428 |
| | 300 | 20K、30K | 40 | | | | | 550 | | 683 | | | 540 | 646 | | | | | 508 |
| | 600 | 40K | 63、100 | | | | | 790 | | 923 | | | 780 | 886 | | | | | 748 |
| 12 (300) | 150 | 10K | 16 | | | | | | | 773 | | | 630 | 736 | 838 | | | | 598 |
| | 300 | 20K、30K | 40 | | | | | | | 853 | | | 710 | 816 | 918 | | | | 678 |
| | 600 | 40K | 63、100 | | | | | | | 1143 | | | 1000 | 1106 | 1208 | | | | 968 |
| 14 (350) | 150 | 10K | 16 | | | | | | | 1045 | | | | 1070 | 1190 | | | | |
| | 300 | 20K、30K | 40 | | | | | | | 1205 | | | | 1230 | 1350 | | | | |
| | 600 | 40K | 63、100 | | | | | | | 1705 | | | | 1730 | 1850 | | | | |
| 16 (400) | 150 | 10K | 16 | | | | | | | | | | | 1530 | 1650 | | | | |
| | 300 | 20K、30K | 40 | | | | | | | | | | | 1930 | 2050 | | | | |
| | 600 | 40K | 63、100 | | | | | | | | | | | 2730 | 2850 | | | | |
| 18 (450) | 150 | 10K | 16 | | | | | | | | | | | 2230 | 2350 | | | | |
| | 300 | 20K、30K | 40 | | | | | | | | | | | 2930 | 3050 | | | | |
| | 600 | 40K | 63、100 | | | | | | | | | | | 4230 | 4350 | | | | |

GLOBE-VALVE DIRECT ACTION

*1 AIR EXHAUST POSITION FOR $\phi 218$ & $\phi 270$.
 *2 AIR EXHAUST POSITION FOR $\phi 350$ & $\phi 450$.



DIMENSIONS

UNIT: mm

| VALVE SIZE | FACE TO FACE : L | | | | | | | | H2 | STANDARD BONNET | | FIN EXTENSION BONNET | | ACTUATOR | | | | | | CODE NO. |
|---------------------------|------------------|-------------|-------------|-------------|--------------|-------------|--------------|-----|-----|-----------------|-----|----------------------|------|----------|--------------------|-----|---------|-----|------|----------|
| | ANSI 150#RF | ANSI 300#RF | ANSI 600#RF | ANSI 300#SW | ANSI 300#RTJ | ANSI 600#SW | ANSI 600#RTJ | h1 | | H1 | h1 | H1 | SIZE | | WITH MANUAL HANDLE | | | | | |
| | PN 16 | PN 40 | PN 63 | JIS 300#BW | JIS 300#RTJ | JIS 600#BW | JIS 600#RTJ | | | | | | A | B | L1 | L2 | L3 | L4 | | |
| 01 1" (25A) | 184 | 197 | 210 | 210 | 210 | 210 | 210 | 47 | 157 | 455 | 555 | 257 | 555 | 218 | 231 | 196 | 133~113 | 100 | 18.5 | 5221LA |
| | | | | | | | | | | 590 | 690 | | 655 | 270 | 283 | 230 | 155~135 | 100 | 27.5 | 5227LA |
| | | | | | | | | | | 570 | 670 | | 625 | 218 | 231 | 196 | 133~113 | 100 | 18.5 | 5221LA |
| 93 1 1/2" (40A) | 222 | 235 | 251 | 251 | 248 | 251 | 251 | 60 | 175 | 570 | 670 | 325 | 720 | 270 | 283 | 230 | 160~135 | 100 | 27.5 | 5227LA |
| | | | | | | | | | | 605 | 700 | | 755 | 350 | 367 | 230 | 168~143 | 100 | 27.5 | 5235LA |
| | | | | | | | | | | 670 | 770 | | 820 | 450 | 472 | 336 | 205~180 | 160 | 32 | 524SLA |
| 02 2" (50A) | 254 | 267 | 286 | 286 | 283 | 286 | 289 | 70 | 196 | 595 | 695 | | 745 | 270 | 283 | 230 | 165~135 | 100 | 27.5 | 5227LA |
| | | | | | | | | | | 630 | 730 | 346 | 780 | 350 | 367 | 230 | 173~143 | 100 | 27.5 | 5235LA |
| | | | | | | | | | | 695 | 795 | | 845 | 450 | 472 | 336 | 210~180 | 160 | 32 | 524SLA |
| 03 3" (80A) | 298 | 317 | 337 | 317 | 333 | 337 | 340 | 98 | 201 | 600 | 700 | | 750 | 270 | 283 | 230 | 165~135 | 100 | 27.5 | 5227LA |
| | | | | | | | | | | 635 | 735 | | 785 | 350 | 367 | 230 | 183~143 | 100 | 27.5 | 5235LA |
| | | | | | | | | | | 700 | 800 | | 850 | 450 | 472 | 336 | 220~180 | 160 | 32 | 524SLA |
| 04 4" X Red. (100AX Red.) | 352 | 368 | 394 | 368 | 384 | 394 | 397 | 113 | 275 | 770 | 870 | 920 | 920 | 450 | 472 | 336 | 220~180 | 160 | 32 | 524SLA |

* FLANGE IS ACCORDING TO THE STANDARD WHICH IS DESCRIBED ON SPECIFICATION SHEET.

NOTE :

DRAWING No.

E-550G-5200LA-D-N
S

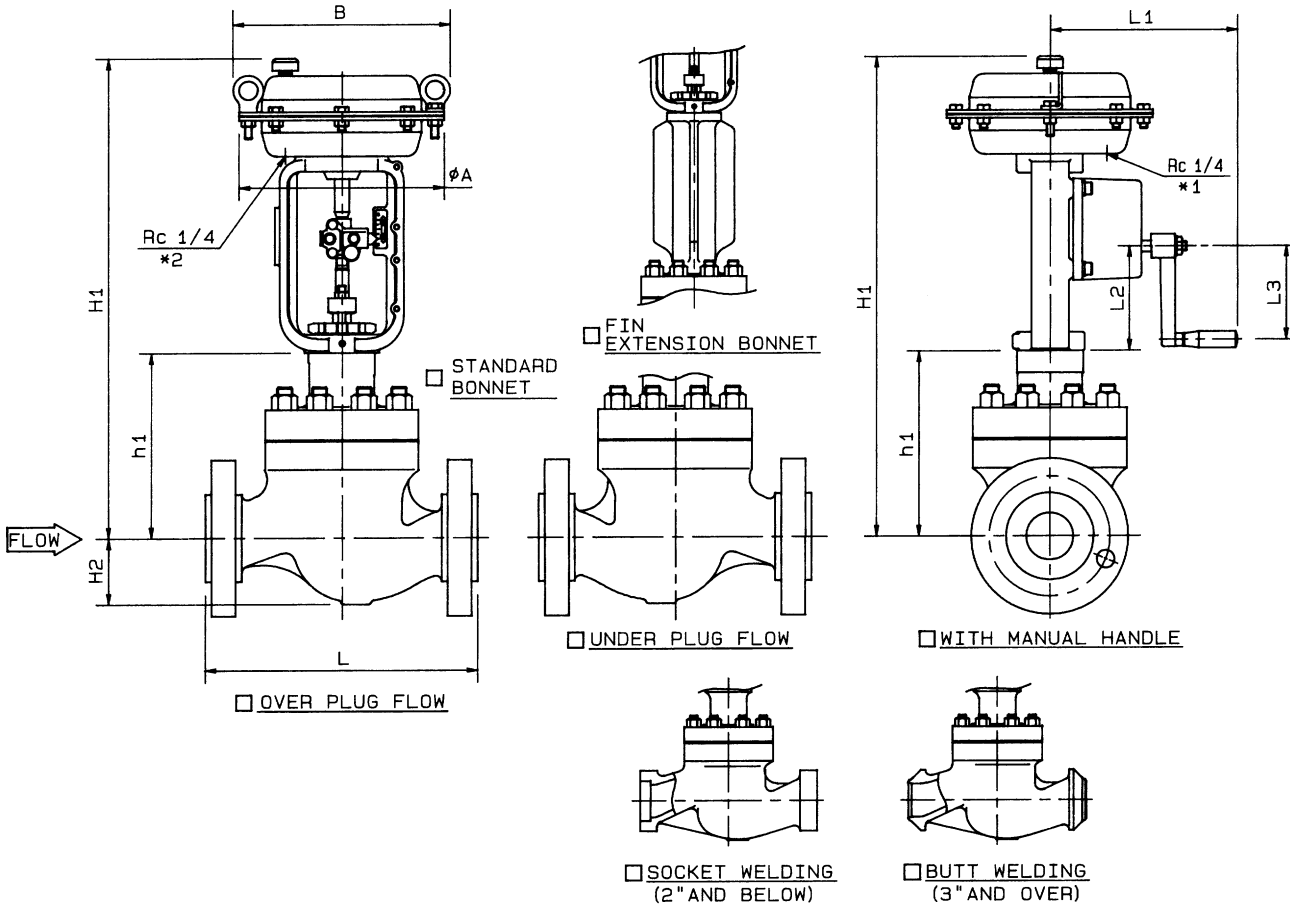
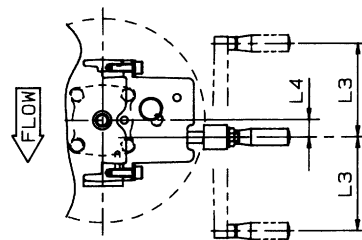
REV

A

KOSO

GLOBE-VALVE REVERSE ACTION

*1 AIR CONNECTION POSITION FOR $\phi 218$ & $\phi 270$.
 *2 AIR CONNECTION POSITION FOR $\phi 350$ & $\phi 450$.



DIMENSIONS

UNIT: mm

| VALVE SIZE | FACE TO FACE : L | | | | | | | | H2 | STANDARD BONNET | | FIN EXTENSION BONNET | | ACTUATOR | | | | | | | | | |
|------------|------------------|--------------|-------------|-------------|--------------|-------------|--------------|-----|-----|-----------------|-----|----------------------|-----|-------------|------------|--------------------|---------|-----|---------|----------|------|--------|--------|
| | ANSI 150#RF | ANSI 300#RF | ANSI 600#RF | ANSI 300#SW | ANSI 300#RTJ | ANSI 600#SW | ANSI 600#RTJ | H1 | | h1 | H1 | h1 | H1 | SIZE | | WITH MANUAL HANDLE | | | | CODE NO. | | | |
| | PN 16 | PN 40 | PN 63 | JIS 10kRF | JIS 20kRF | JIS 40kRF | JIS 30kRF | | | | | | | JIS 300#RTJ | JIS 300#SW | JIS 600#SW | A | B | L1 | | L2 | L3 | L4 |
| 01 | 1" | (25A) | 184 | 197 | 210 | 210 | 210 | 210 | 210 | 210 | 210 | 210 | 47 | 157 | 495 | 595 | 218 | 231 | 196 | 113~133 | 100 | 18.5 | 5221LA |
| | | | | | | | | | | | | | | | 595 | 270 | 283 | 230 | 118~138 | 100 | 27.5 | 5227LA | |
| | | | | | | | | | | | | | | | 630 | 730 | 350 | 367 | 230 | 120~140 | 100 | 27.5 | 5235LA |
| 93 | 1 1/2" | (40A) | 222 | 235 | 251 | 251 | 248 | 251 | 251 | 60 | 175 | 515 | 665 | 218 | 231 | 196 | 113~133 | 100 | 18.5 | 5221LA | | | |
| | | | | | | | | | | | | | | | 610 | 760 | 270 | 283 | 230 | 118~143 | 100 | 27.5 | 5227LA |
| | | | | | | | | | | | | | | | 645 | 795 | 350 | 367 | 230 | 120~145 | 100 | 27.5 | 5235LA |
| | | | | | | | | | | | | | | | 710 | 860 | 450 | 472 | 336 | 161~186 | 160 | 32 | 524SLA |
| 02 | 2" | (50A) | 254 | 267 | 286 | 286 | 283 | 286 | 289 | 70 | 196 | 635 | 785 | 270 | 283 | 230 | 118~148 | 100 | 27.5 | 5227LA | | | |
| | | | | | | | | | | | | | | | 820 | 885 | 350 | 367 | 230 | 120~150 | 100 | 27.5 | 5235LA |
| | | | | | | | | | | | | | | | 735 | 885 | 450 | 472 | 336 | 161~191 | 160 | 32 | 524SLA |
| 03 | 3" | (80A) | 298 | 317 | 337 | 317 | 333 | 337 | 340 | 98 | 201 | 640 | 790 | 270 | 283 | 230 | 118~148 | 100 | 27.5 | 5227LA | | | |
| | | | | | | | | | | | | | | | 825 | 890 | 350 | 367 | 230 | 120~160 | 100 | 27.5 | 5235LA |
| 04 | 4" X Red. | (100AX Red.) | 352 | 368 | 394 | 368 | 384 | 394 | 397 | 113 | 275 | 740 | 890 | 450 | 472 | 336 | 161~201 | 160 | 32 | 524SLA | | | |

* FLANGE IS ACCORDING TO THE STANDARD WHICH IS DESCRIBED ON SPECIFICATION SHEET.

NOTE :

DRAWING No.

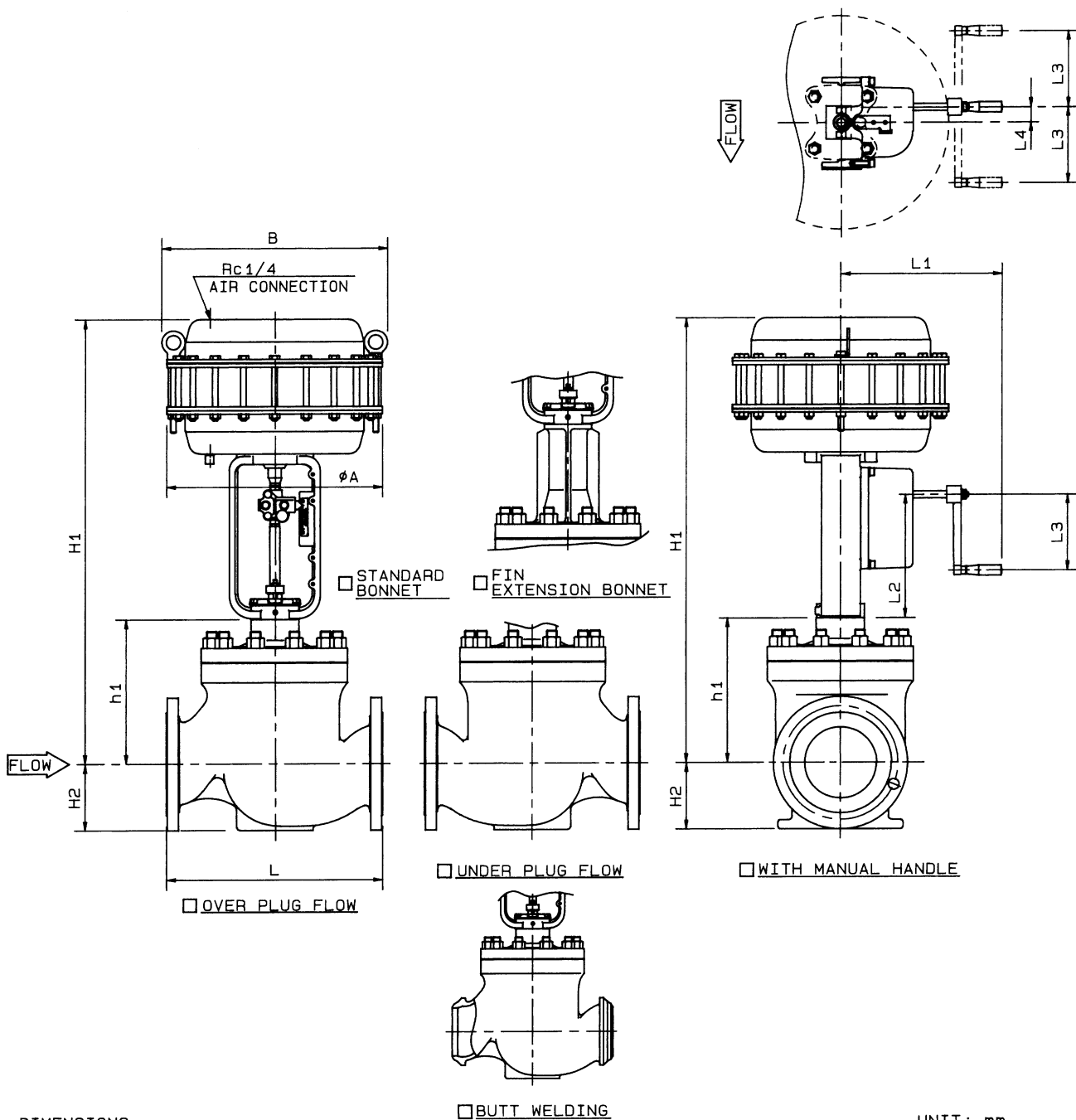
E-550G-5200LA-R-NS

REV

A

KOSO

GLOBE-VALVE DIRECT ACTION



DIMENSIONS

UNIT: mm

| VALVE SIZE | FACE TO FACE : L | | | | | | | | STANDARD BONNET | | FIN EXTENSION BONNET | | ACTUATOR | | | | | | |
|-----------------------|------------------|-------------|-------------|-------------|--------------|-------------|--------------|-----|-----------------|------|----------------------|------|----------|-----|----------|---------|-----|----|--------|
| | ANSI 150#RF | ANSI 300#RF | ANSI 600#RF | ANSI 300#BW | ANSI 300#RTJ | ANSI 600#BW | ANSI 600#RTJ | H2 | SIZE | | WITH MANUAL HANDLE | | | | CODE NO. | | | | |
| | PN 15 | PN 40 | PN 63 | JIS 300#BW | JIS 300#RTJ | JIS 600#BW | JIS 600#RTJ | | A | B | L1 | L2 | L3 | L4 | | | | | |
| 04 4" (100A) | 352 | 368 | 394 | 368 | 384 | 394 | 397 | 113 | 275 | 910 | 425 | 1060 | 450 | 472 | 336 | 230~180 | 160 | 32 | 524LLA |
| 06 6" (150A) | 451 | 473 | 508 | 473 | 489 | 508 | 511 | 144 | 305 | 940 | 455 | 1090 | 450 | 472 | 336 | 240~180 | 160 | 32 | 524LLA |
| 08 8" (200A) | 543 | 568 | 610 | 568 | 584 | 610 | 613 | 185 | 365 | 1020 | 515 | 1170 | 450 | 472 | 336 | 280~200 | 160 | 32 | 524LLA |
| 10 10"X8" (250AX200A) | 673 | 708 | 752 | 708 | 724 | 752 | 756 | 225 | 420 | 1075 | 570 | 1225 | 450 | 472 | 336 | 280~200 | 160 | 32 | 524LLA |

* FLANGE IS ACCORDING TO THE STANDARD WHICH IS DESCRIBED ON SPECIFICATION SHEET.

NOTE :

DRAWING No.

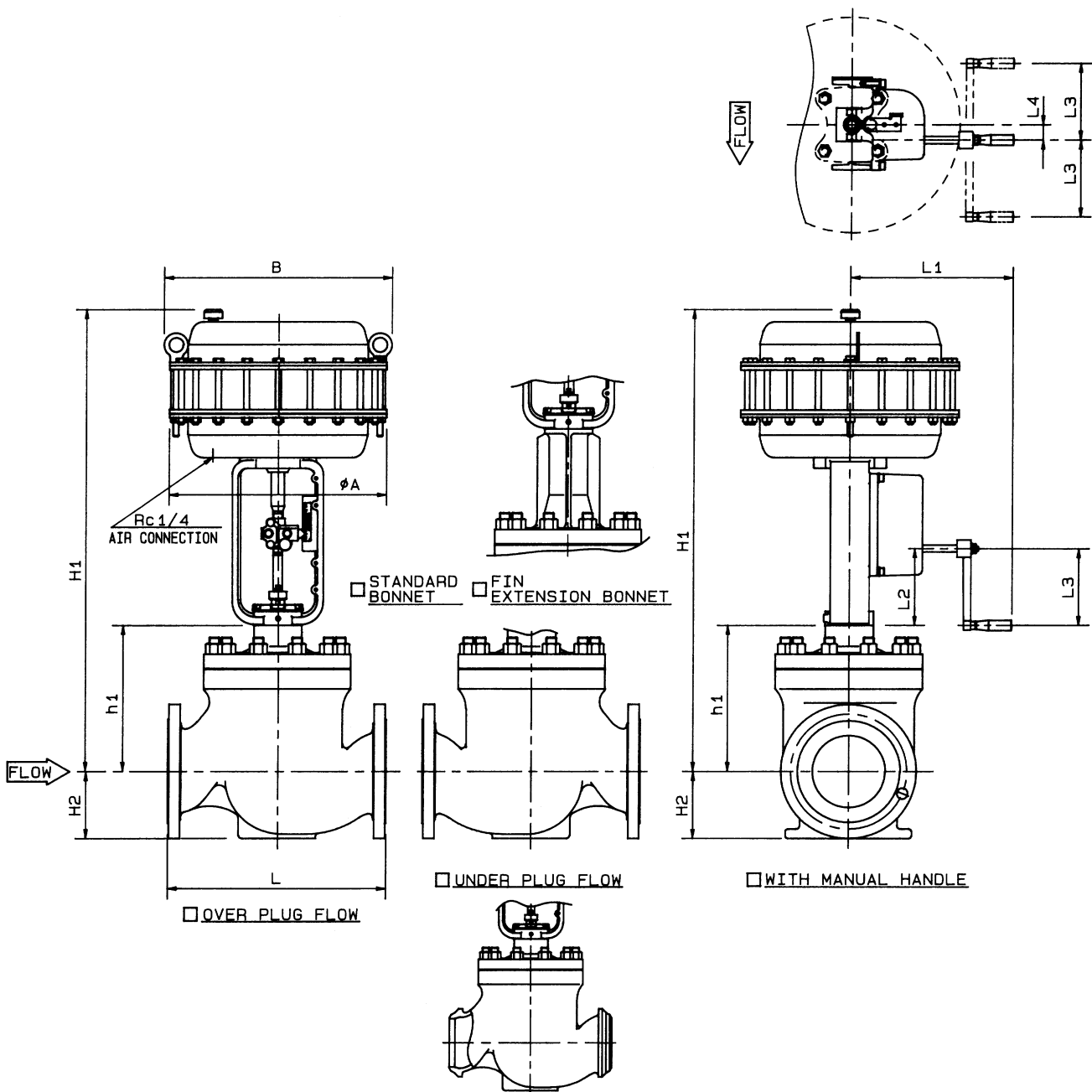
E-550G-524LLA-D-N
S

REV

A

KOSO

GLOBE-VALVE REVERSE ACTION



DIMENSIONS

BUTT WELDING

UNIT: mm

| VALVE SIZE | FACE TO FACE : L | | | | | | | | <input type="checkbox"/> STANDARD BONNET | | <input type="checkbox"/> FIN EXTENSION BONNET | | ACTUATOR | | | | | | | | |
|--|------------------|--------|--------|--------|---------|--------|---------|--------|--|------|---|------|----------|-----|------|---------|--------------------|----|--------|--|----------|
| | 150#RF | 300#RF | 600#RF | 300#BW | 300#RTJ | 600#BW | 600#RTJ | 600#BW | 600#RTJ | H2 | h1 | H1 | h1 | H1 | SIZE | | WITH MANUAL HANDLE | | | | CODE NO. |
| | PN | PN | PN | JPI | JPI | JPI | JPI | JPI | A | | | | | | B | L1 | L2 | L3 | L4 | | |
| 04 <input type="checkbox"/> 4" (100A) | 352 | 368 | 394 | 368 | 384 | 394 | 397 | 113 | 275 | 950 | 425 | 1100 | 450 | 472 | 336 | 161~211 | 160 | 32 | 524LLA | | |
| 06 <input type="checkbox"/> 6" (150A) | 451 | 473 | 508 | 473 | 489 | 508 | 511 | 144 | 305 | 980 | 455 | 1130 | 450 | 472 | 336 | 161~221 | 160 | 32 | 524LLA | | |
| 08 <input type="checkbox"/> 8" (200A) | 543 | 568 | 610 | 568 | 584 | 610 | 613 | 185 | 365 | 1060 | 515 | 1210 | 450 | 472 | 336 | 181~261 | 160 | 32 | 524LLA | | |
| 10 <input type="checkbox"/> 10" X 8" (250AX200A) | 673 | 708 | 752 | 708 | 724 | 752 | 756 | 225 | 420 | 1115 | 570 | 1265 | 450 | 472 | 336 | 181~261 | 160 | 32 | 524LLA | | |

* FLANGE IS ACCORDING TO THE STANDARD WHICH IS DESCRIBED ON SPECIFICATION SHEET.

NOTE :

DRAWING No.

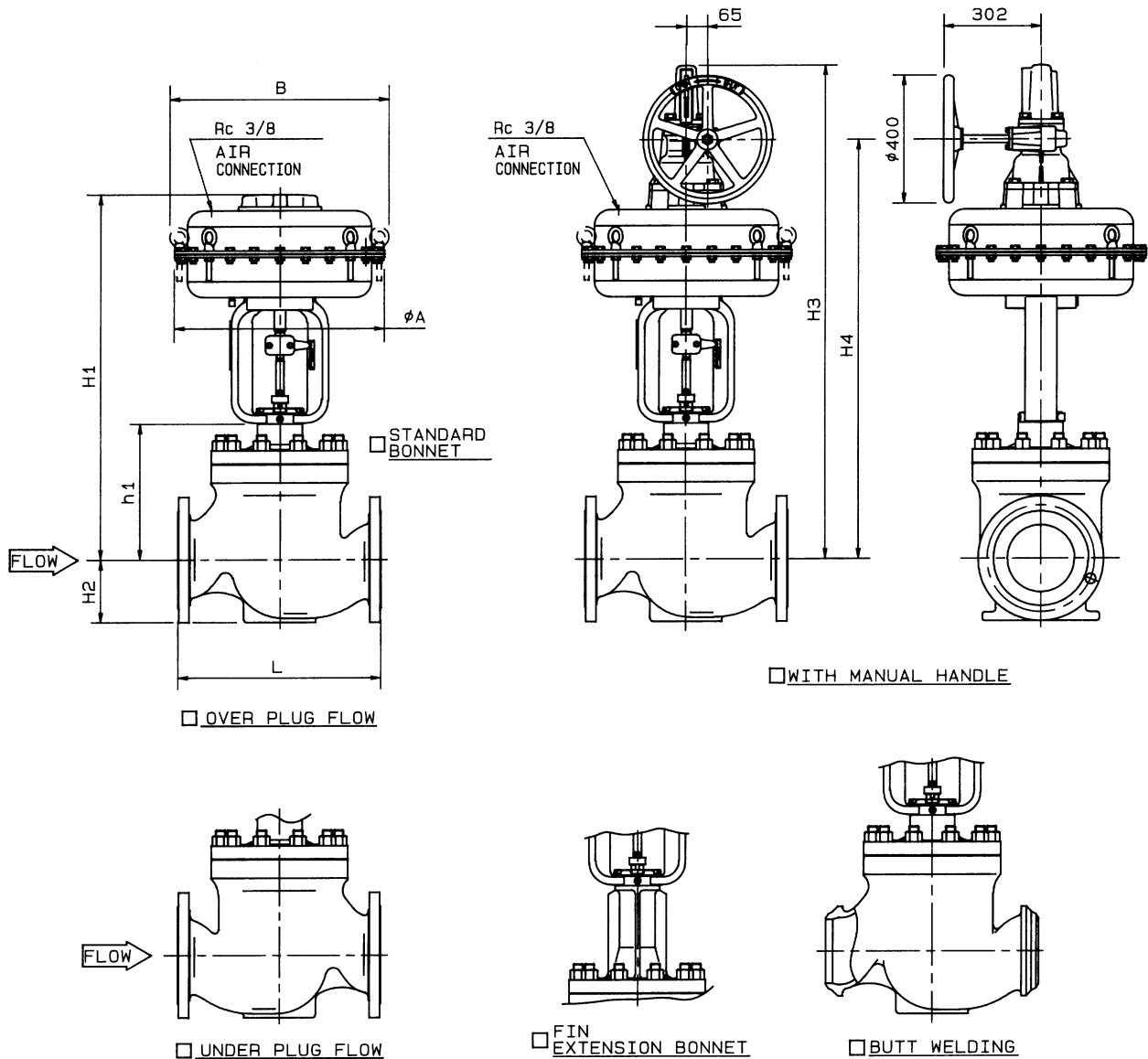
E-550G-524LLA-R-N

REV

A

KOSO

GLOBE-VALVE DIRECT ACTION



DIMENSIONS

UNIT: mm

| VALVE SIZE | FACE TO FACE : L | | | | | | | | STANDARD BONNET | | FIN EXTENSION BONNET | | ACTUATOR | | | | CODE NO. | | |
|---|------------------|-------------|-------------|-------------|--------------|-------------|--------------|-----|-----------------|------|----------------------|------|--------------------|----------------|----------|------|----------|------|--------|
| | ANSI 150#RF | ANSI 300#RF | ANSI 600#RF | ANSI 300#BW | ANSI 300#RTJ | ANSI 600#BW | ANSI 600#RTJ | H2 | h1 | H1 | h1 | H1 | WITH MANUAL HANDLE | | CODE NO. | | | | |
| | PN 16 | PN 40 | PN 63 | JIS 300#BW | JIS 300#RTJ | JIS 600#BW | JIS 600#RTJ | | | | | | STD BONNET | FIN/EXT BONNET | | | | | |
| CODE NO. | 10kRF | 20kRF | 40kRF | | | | | A | B | H3 | H4 | H3 | H4 | | | | | | |
| 04 <input type="checkbox"/> 4" (100A) | 352 | 368 | 394 | 368 | 384 | 394 | 397 | 113 | 305 | 1025 | 455 | 1175 | 650 | 678 | 1425 | 1190 | 1575 | 1340 | 526SLA |
| 06 <input type="checkbox"/> 6" (150A) | 451 | 473 | 508 | 473 | 489 | 508 | 511 | 144 | 327 | 1045 | 477 | 1195 | 650 | 678 | 1445 | 1215 | 1595 | 1365 | 526SLA |
| 08 <input type="checkbox"/> 8" X 6" (200AX150A) | 543 | 568 | 610 | 568 | 584 | 610 | 613 | 185 | 365 | 1085 | 515 | 1235 | 650 | 678 | 1485 | 1250 | 1635 | 1400 | 526SLA |

* FLANGE IS ACCORDING TO THE STANDARD WHICH IS DESCRIBED ON SPECIFICATION SHEET.

NOTE:

DRAWING No.

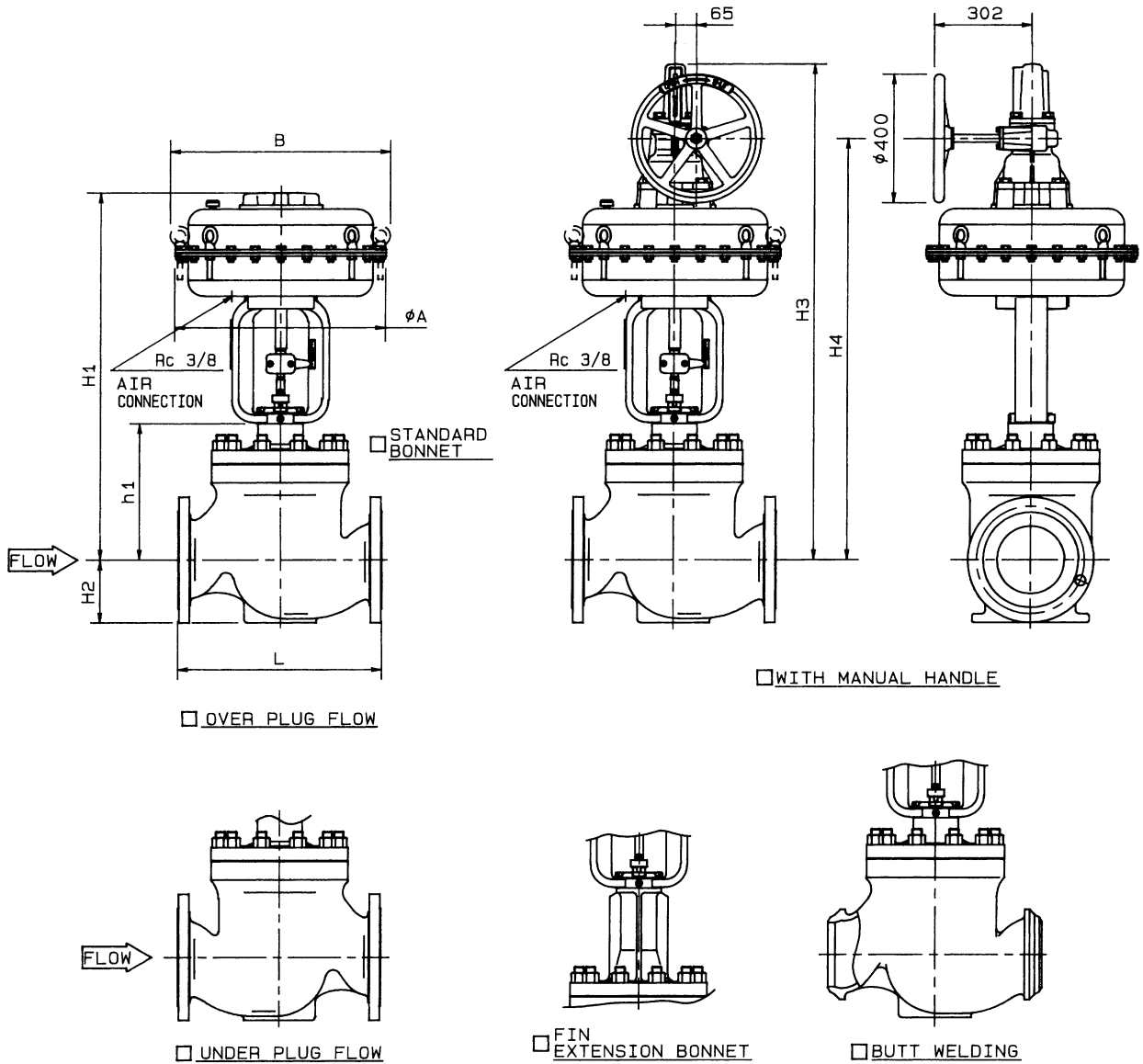
E-550G-526SLA-D-N_S

REV

A

KOSO

GLOBE-VALVE REVERSE ACTION



DIMENSIONS

UNIT: mm

| VALVE SIZE | FACE TO FACE : L | | | | | | | | STANDARD BONNET | FIN EXTENSION BONNET | | ACTUATOR | | | | | | | |
|------------------------|------------------|-------------|-------------|-------------|--------------|-------------|--------------|-----|-----------------|----------------------|-----|----------|-----|--------------------|----------------|------|------|----------|--------|
| | ANSI 150#RF | ANSI 300#RF | ANSI 600#RF | ANSI 300#BW | ANSI 300#RTJ | ANSI 600#BW | ANSI 600#RTJ | H2 | | h1 | H1 | h1 | H1 | WITH MANUAL HANDLE | | | | CODE NO. | |
| | PN 16 | PN 40 | PN 63 | JPI 300#BW | JPI 300#RTJ | JPI 600#BW | JPI 600#RTJ | | | | | | | STD BONNET | FIN/EXT BONNET | H3 | H4 | | H3 |
| 04 4" (100A) | 352 | 368 | 394 | 368 | 384 | 394 | 397 | 113 | 305 | 1025 | 455 | 1175 | 650 | 678 | 1425 | 1190 | 1575 | | 1340 |
| 06 6" (150A) | 451 | 473 | 508 | 473 | 489 | 508 | 511 | 144 | 327 | 1045 | 477 | 1195 | 650 | 678 | 1445 | 1215 | 1595 | 1365 | 526SLA |
| 08 8" X 6" (200AX150A) | 543 | 568 | 610 | 568 | 584 | 610 | 613 | 185 | 365 | 1085 | 515 | 1235 | 650 | 678 | 1485 | 1250 | 1635 | 1400 | 526SLA |

* FLANGE IS ACCORDING TO THE STANDARD WHICH IS DESCRIBED ON SPECIFICATION SHEET.

NOTE :

DRAWING No.

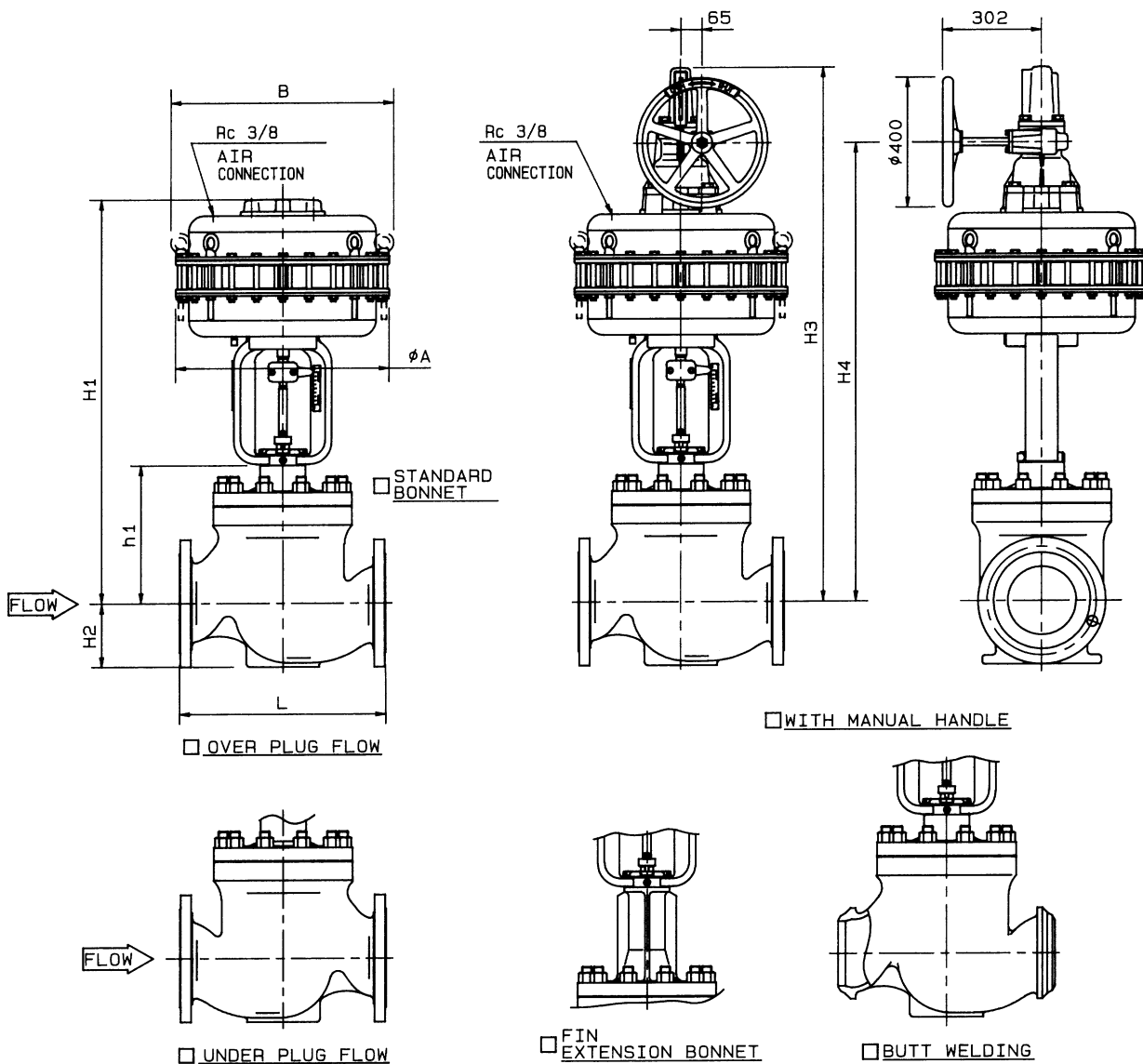
E-550G-526SLA-R-N S

REV

A

KOSO

GLOBE-VALVE DIRECT ACTION



DIMENSIONS

UNIT: mm

| VALVE SIZE | FACE TO FACE : L | | | | | | | | STANDARD BONNET | | FIN EXTENSION BONNET | | ACTUATOR | | WITH MANUAL HANDLE | | | | CODE NO. |
|------------------------|------------------|-------------|-------------|-------------|--------------|-------------|--------------|-----|-----------------|------|----------------------|------|----------|------------|--------------------|----------------|------|------|----------|
| | ANSI 150#RF | ANSI 300#RF | ANSI 600#RF | ANSI 300#BW | ANSI 300#RTJ | ANSI 600#BW | ANSI 600#RTJ | H2 | h1 | H1 | h1 | H1 | SIZE | STD BONNET | | FIN/EXT BONNET | | | |
| | PN 16 | PN 40 | PN 63 | JPI 300#BW | JPI 300#RTJ | JPI 600#BW | JPI 600#RTJ | | | | | | | H3 | H4 | H3 | H4 | | |
| 08 8" (200A) | 543 | 568 | 610 | 568 | 584 | 610 | 613 | 185 | 365 | 1185 | 515 | 1335 | 650 | 678 | 1585 | 1350 | 1735 | 1500 | 526LLA |
| 10 10" (250A) | 673 | 708 | 752 | 708 | 724 | 752 | 756 | 225 | 420 | 1240 | 570 | 1390 | 650 | 678 | 1640 | 1405 | 1790 | 1555 | 526LLA |
| 12 12" (300A) | 737 | 775 | 819 | 775 | 791 | 819 | 822 | 260 | 480 | 1300 | 630 | 1450 | 650 | 678 | 1700 | 1465 | 1850 | 1615 | 526LLA |
| 14 14"X12" (350AX300A) | 889 | 927 | 972 | 927 | 943 | 972 | 975 | 320 | 625 | 1445 | 775 | 1595 | 650 | 678 | 1845 | 1610 | 1995 | 1760 | 526LLA |

* FLANGE IS ACCORDING TO THE STANDARD WHICH IS DESCRIBED ON SPECIFICATION SHEET.

NOTE :

DRAWING No.

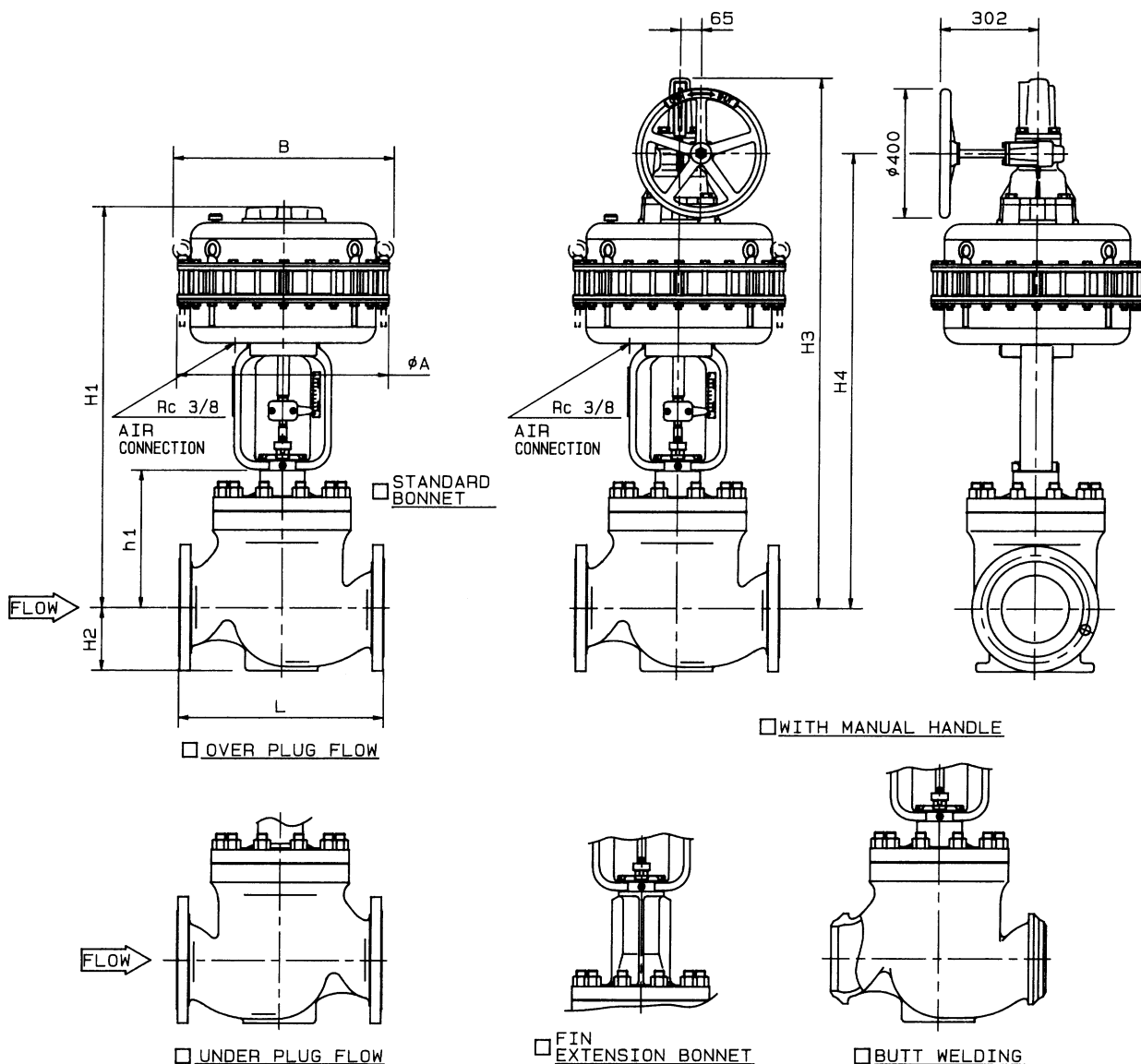
E-550G-526LLA-D-^NS

REV

A

KOSO

GLOBE-VALVE REVERSE ACTION



DIMENSIONS

UNIT: mm

| VALVE SIZE | FACE TO FACE : L | | | | | | | | STANDARD BONNET | | FIN EXTENSION BONNET | | ACTUATOR | | | | | | CODE NO. |
|------------------------|------------------|-------------|-------------|-------------|--------------|-------------|--------------|-----|-----------------|------|----------------------|------|----------|-----|--------------------|----------------|------|------|----------|
| | ANSI 150#RF | ANSI 300#RF | ANSI 600#RF | ANSI 300#BW | ANSI 300#RTJ | ANSI 600#BW | ANSI 600#RTJ | H2 | h1 | H1 | h1 | H1 | A | B | WITH MANUAL HANDLE | | | | |
| | PN | PN | PN | JPI | JPI | JPI | JPI | | | | | | | | STD BONNET | FIN/EXT BONNET | | | |
| | 16 | 40 | 63 | 300#BW | 300#RTJ | 600#BW | 600#RTJ | H3 | H4 | H3 | H4 | | | | | | | | |
| 08 8" (200A) | 543 | 568 | 610 | 568 | 584 | 610 | 613 | 185 | 365 | 1185 | 515 | 1335 | 650 | 678 | 1585 | 1350 | 1735 | 1500 | 526LLA |
| 10 10" (250A) | 673 | 708 | 752 | 708 | 724 | 752 | 756 | 225 | 420 | 1240 | 570 | 1390 | 650 | 678 | 1640 | 1405 | 1790 | 1555 | 526LLA |
| 12 12" (300A) | 737 | 775 | 819 | 775 | 791 | 819 | 822 | 260 | 480 | 1300 | 630 | 1450 | 650 | 678 | 1700 | 1465 | 1850 | 1615 | 526LLA |
| 14 14"X12" (350AX300A) | 889 | 927 | 972 | 927 | 943 | 972 | 975 | 320 | 625 | 1445 | 775 | 1595 | 650 | 678 | 1845 | 1610 | 1995 | 1760 | 526LLA |

* FLANGE IS ACCORDING TO THE STANDARD WHICH IS DESCRIBED ON SPECIFICATION SHEET.

NOTE :

DRAWING No.

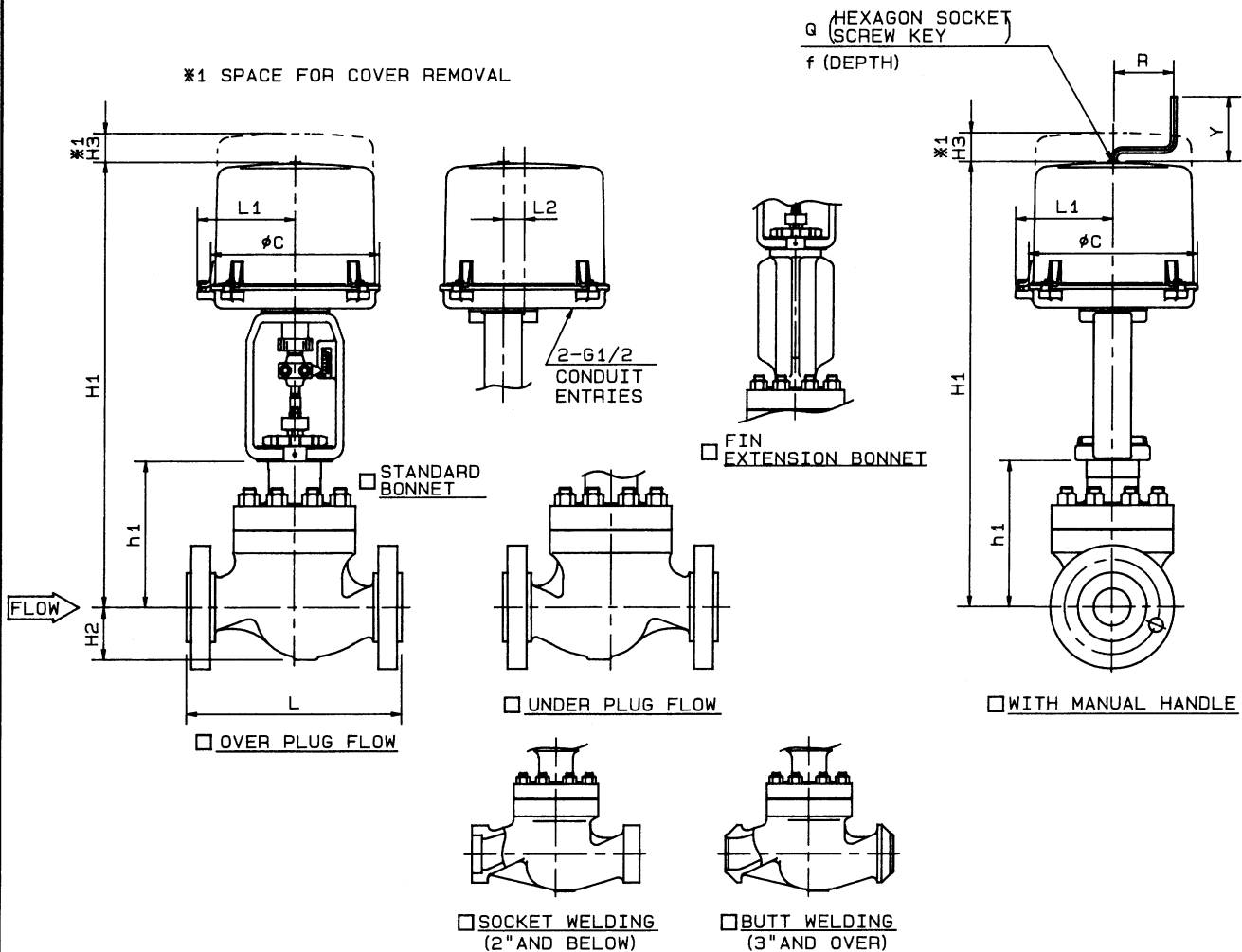
E-550G-526LLA-R-^N_S

REV

A

KOSO

GLOBE-VALVE



DIMENSIONS

UNIT: mm

| VALVE SIZE | FACE TO FACE : L | | | | | | | | STANDARD BONNET | | FIN EXTENSION BONNET | | ACTUATOR | | | | | | | | | |
|-----------------|------------------|-------------|-------------|-------------|--------------|-------------|--------------|-----|-----------------|-----|----------------------|------|----------|-----|----|-----|--------------------|----|------|--------------|--------|--|
| | ANSI 150#RF | ANSI 300#RF | ANSI 600#RF | ANSI 300#SW | ANSI 300#RTJ | ANSI 600#SW | ANSI 600#RTJ | H2 | h1 | H1 | h1 | H1 | H3 | L1 | L2 | øC | WITH MANUAL HANDLE | | | SIZE CODE NO | | |
| | PN 16 | PN 40 | PN 63 | JIS 300#SW | JIS 300#RTJ | JPI 600#SW | JPI 600#RTJ | | | | | | | | | | R | Y | Q-f | | | |
| 01 1" (25A) | 184 | 197 | 210 | 210 | 210 | 210 | 210 | 47 | 157 | 560 | 257 | 660 | 205 | 130 | 28 | 225 | 80 | 87 | 6-12 | 35A2LB | 36A2LA | |
| | | | | | | | | | | 690 | | 790 | 260 | 145 | 45 | 255 | 160 | 90 | 8-15 | 35B1LB | 36B1LA | |
| 93 1 1/2" (40A) | 222 | 235 | 251 | 251 | 248 | 251 | 251 | 60 | 175 | 580 | 325 | 730 | 205 | 130 | 28 | 225 | 80 | 87 | 6-12 | 35A2LB | 36A2LA | |
| | | | | | | | | | | 705 | | 855 | 260 | 145 | 45 | 255 | 160 | 90 | 8-15 | 35B1LB | 36B1LA | |
| | | | | | | | | | | 755 | | 905 | 260 | 145 | 45 | 255 | 160 | 90 | 8-15 | 35B2LB | 36B2LA | |
| 02 2" (50A) | 254 | 267 | 286 | 286 | 283 | 286 | 289 | 70 | 196 | 600 | 346 | 750 | 205 | 130 | 28 | 225 | 80 | 87 | 6-12 | 35A2LB | 36A2LA | |
| | | | | | | | | | | 730 | | 880 | 260 | 145 | 45 | 255 | 160 | 90 | 8-15 | 35B1LB | 36B1LA | |
| | | | | | | | | | | 780 | | 930 | 260 | 145 | 45 | 255 | 160 | 90 | 8-15 | 35B2LB | 36B2LA | |
| 03 3" (80A) | 298 | 317 | 337 | 317 | 333 | 337 | 340 | 98 | 201 | 605 | 351 | 755 | 205 | 130 | 28 | 225 | 80 | 87 | 6-12 | 35A2LB | 36A2LA | |
| | | | | | | | | | | 735 | | 885 | 260 | 145 | 45 | 255 | 160 | 90 | 8-15 | 35B1LB | 36B1LA | |
| | | | | | | | | | | 785 | | 935 | 260 | 145 | 45 | 255 | 160 | 90 | 8-15 | 35B2LB | 36B2LA | |
| 04 4" (100A) | 352 | 368 | 394 | 368 | 384 | 394 | 397 | 113 | 275 | 855 | 425 | 1005 | 260 | 145 | 45 | 255 | 160 | 90 | 8-15 | 35B2LB | 36B2LA | |
| 06 6" (150A) | 451 | 473 | 508 | 473 | 489 | 508 | 511 | 144 | 305 | 885 | 455 | 1035 | 260 | 145 | 45 | 255 | 160 | 90 | 8-15 | 35B2LB | 36B2LA | |

* FLANGE IS ACCORDING TO THE STANDARD WHICH IS DESCRIBED ON SPECIFICATION SHEET.

NOTE:

DRAWING No.

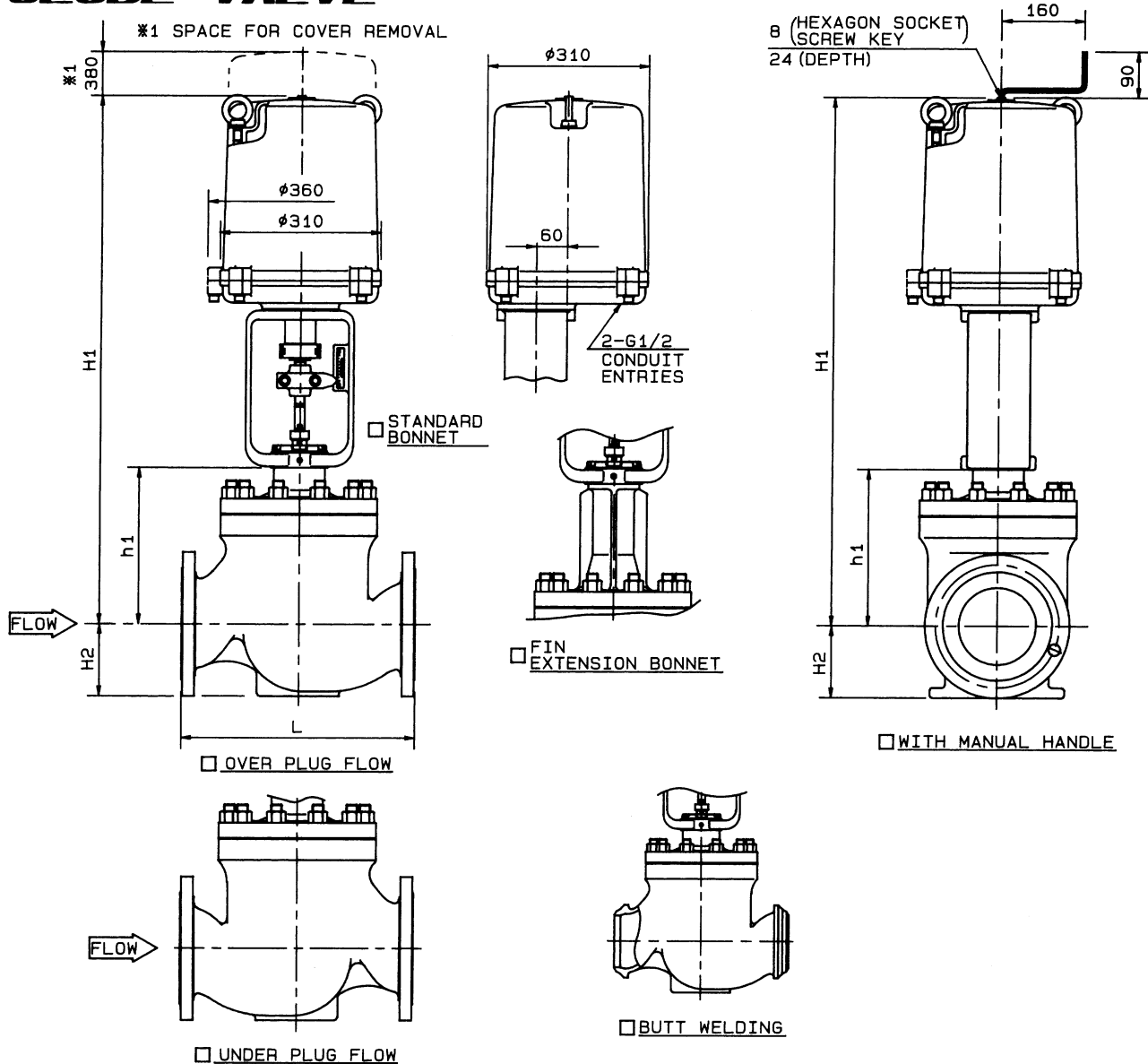
E-550G-3500LB-B-N
3600LA-B-T

REV

A

KOSO

GLOBE-VALVE



DIMENSIONS

UNIT: mm

| VALVE SIZE | FACE TO FACE : L | | | | | | | | H2 | STANDARD BONNET | | FIN EXTENSION BONNET | | ACTUATOR SIZE CODE NO | |
|----------------------------|------------------|-------------|-------------|-------------|--------------|-------------|--------------|-------|-----|-----------------|-------|----------------------|--------|-----------------------|--|
| | ANSI 150#RF | ANSI 300#RF | ANSI 600#RF | ANSI 300#BW | ANSI 300#RTJ | ANSI 600#BW | ANSI 600#RTJ | PN | | H1 | H1 | H1 | H1 | | |
| | 16 | 40 | 63 | JIS 300#BW | JIS 300#RTJ | JIS 600#BW | JIS 600#RTJ | 10kRF | | 20kRF | 40kRF | PN | 100 | | |
| 03 3" (80A) | 298 | 317 | 337 | 317 | 333 | 337 | 340 | 98 | 201 | 930 | 351 | 1080 | 35C1LB | 36C1LA | |
| 04 4" (100A) | 352 | 368 | 394 | 368 | 384 | 394 | 397 | 113 | 275 | 1000 | 425 | 1150 | 35C1LB | 36C1LA | |
| 06 6" (150A) | 451 | 473 | 508 | 473 | 489 | 508 | 511 | 144 | 305 | 1030 | 455 | 1180 | 35C1LB | 36C1LA | |
| | | | | | | | | | 327 | 1115 | 477 | 1265 | 35C2LB | 36C2LA | |
| 08 8" (200A) | 543 | 568 | 610 | 568 | 584 | 610 | 613 | 185 | 365 | 1150 | 515 | 1300 | 35C2LB | 36C2LA | |
| 10 10" (250A) | 673 | 708 | 752 | 708 | 724 | 752 | 756 | 225 | 420 | 1205 | 570 | 1355 | 35C2LB | 36C2LA | |
| 12 12" (300A) | 737 | 775 | 819 | 775 | 791 | 819 | 822 | 260 | 480 | 1265 | 630 | 1415 | 35C2LB | 36C2LA | |
| 14 14" X 12" (350A X 300A) | 889 | 927 | 972 | 927 | 943 | 972 | 975 | 320 | 625 | 1410 | 775 | 1560 | 35C2LB | 36C2LA | |

* FLANGE IS ACCORDING TO THE STANDARD WHICH IS DESCRIBED ON SPECIFICATION SHEET.

NOTE :

DRAWING No.

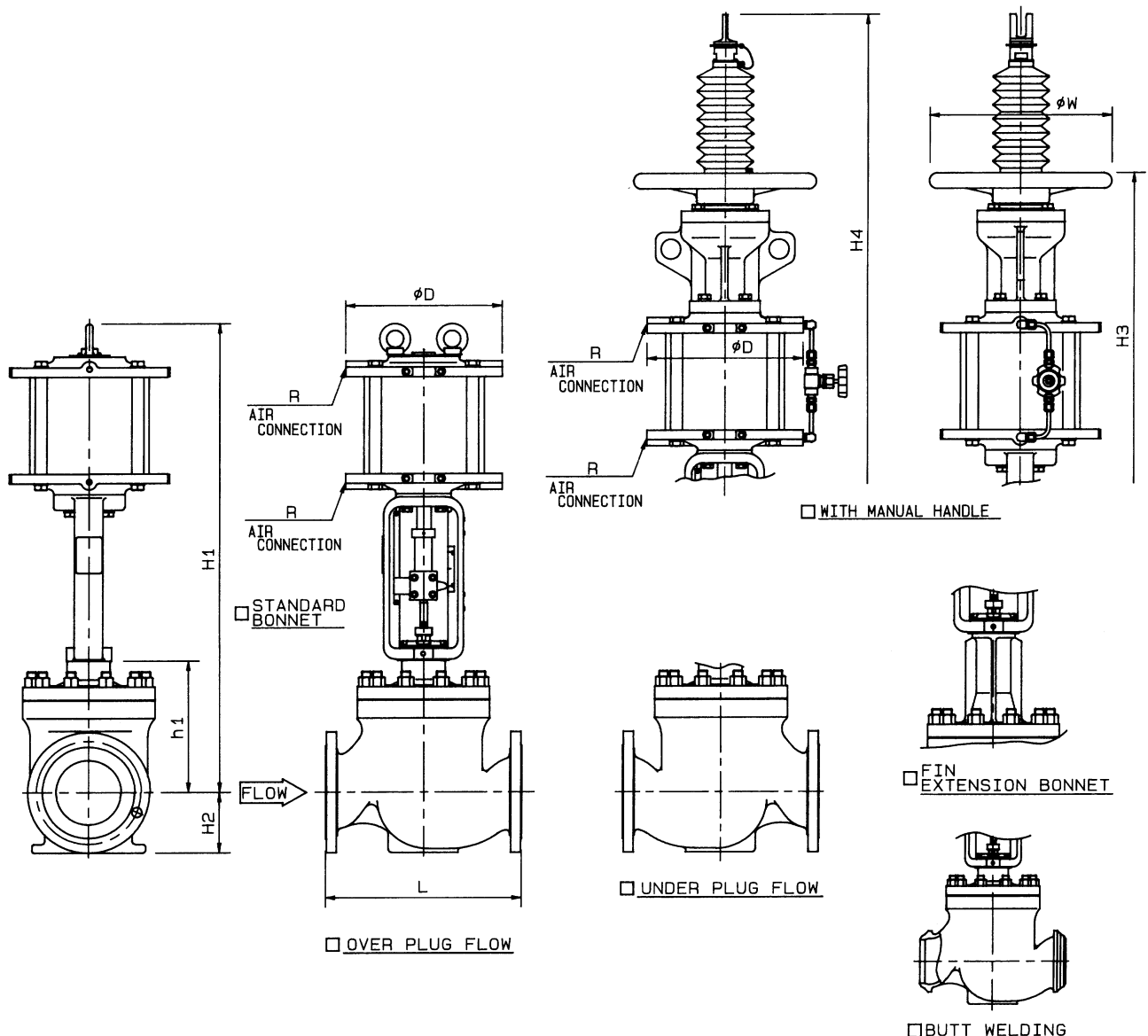
E-550G-35C0LB-B-N
36C0LA-T

REV

A

KOSO

GLOBE-VALVE DOUBLE ACTING CYLINDER



DIMENSIONS

UNIT: mm

| VALVE SIZE | FACE TO FACE : L | | | | | | | | STANDARD BONNET | | FIN EXTENSION BONNET | | | | ACTUATOR | | | | | | | |
|--------------|------------------|-------------|-------------|-------------|--------------|-------------|--------------|--------------|-----------------|------|----------------------|------|-----|------|----------|------|-----|---------------|-------|-----|--------------------|----------|
| | ANSI 150#RF | ANSI 300#RF | ANSI 600#RF | ANSI 300#BW | ANSI 300#RTJ | ANSI 600#BW | ANSI 600#RTJ | ANSI 600#RTJ | H2 | h1 | H1 | H3 | H4 | h1 | H1 | H3 | H4 | Cylinder SIZE | D | R | WITH MANUAL HANDLE | CODE NO. |
| | PN 16 | PN 40 | PN 63 | JPI 300#BW | JPI 300#RTJ | JPI 600#BW | JPI 600#RTJ | JIS 10kRF | | | | | | | | | | | | | | |
| 06 6" (150A) | 451 | 473 | 508 | 473 | 489 | 508 | 511 | 144 | 327 | 1040 | 1230 | 1505 | 477 | 1190 | 1380 | 1655 | 200 | 272 | Rc3/8 | 320 | 6320LA | |
| 08 8" (200A) | 543 | 568 | 610 | 568 | 584 | 610 | 613 | 185 | 365 | 1075 | 1265 | 1540 | 515 | 1225 | 1415 | 1690 | 200 | 272 | Rc3/8 | 320 | 6320LA | |

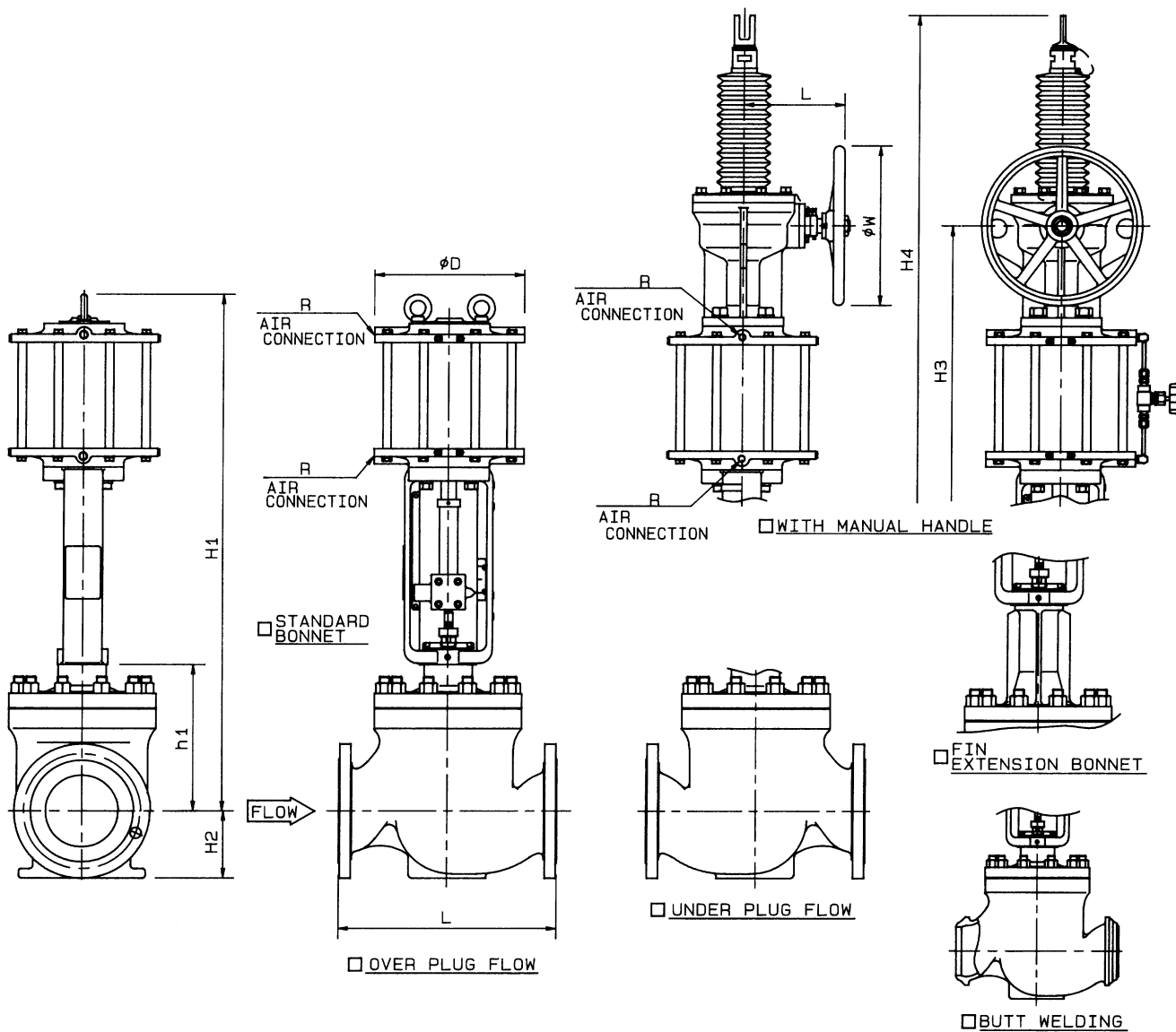
* FLANGE IS ACCORDING TO THE STANDARD WHICH IS DESCRIBED ON SPECIFICATION SHEET.

NOTE :

DRAWING No.
E-550G-6300LA-W-N

REV
A

GLOBE-VALVE DOUBLE ACTING CYLINDER



DIMENSIONS

UNIT: mm

| VALVE SIZE | FACE TO FACE : L | | | | | | | | | | | | STANDARD BONNET | | | | FIN EXTENSION BONNET | | | | ACTUATOR | | | | | |
|---------------|------------------|------|-------------|------|-------------|------|-------------|---------|--------------|---------|-------------|-------|-----------------|------|------|------|----------------------|-----|-------|-----|---------------|--------|---|--------------------|----|----------|
| | ANSI 150#RF | | ANSI 300#RF | | ANSI 600#RF | | ANSI 300#BW | | ANSI 300#RTJ | | ANSI 600#BW | | ANSI 600#RTJ | | PN | | PN | | PN | | Cylinder SIZE | D | R | WITH MANUAL HANDLE | | CODE NO. |
| | 16 | 40 | 16 | 40 | 63 | 63 | 300#BW | 300#RTJ | 600#BW | 600#RTJ | 10kRF | 20kRF | 40kRF | 100 | h2 | h1 | H1 | H3 | H4 | h1 | | | | H1 | H3 | |
| 06 6" (150A) | 451 | 473 | 508 | 473 | 489 | 508 | 511 | 144 | 327 | 1100 | 1255 | 1715 | 477 | 1250 | 1405 | 1865 | 300 | 382 | Rc1/2 | 260 | 400 | 6330LA | | | | |
| 08 8" (200A) | 543 | 568 | 610 | 568 | 584 | 610 | 613 | 185 | 365 | 1135 | 1290 | 1750 | 515 | 1285 | 1440 | 1900 | 300 | 382 | Rc1/2 | 260 | 400 | 6330LA | | | | |
| | | | | | | | | | | 1315 | 1525 | 2080 | | 1465 | 1675 | 2230 | 450 | 555 | Rc1/2 | 330 | 500 | 6345LA | | | | |
| 10 10" (250A) | 673 | 708 | 752 | 708 | 724 | 752 | 756 | 225 | 420 | 1190 | 1345 | 1805 | 570 | 1340 | 1495 | 1955 | 300 | 382 | Rc1/2 | 260 | 400 | 6330LA | | | | |
| | | | | | | | | | | 1370 | 1580 | 2135 | | 1520 | 1730 | 2285 | 450 | 555 | Rc1/2 | 330 | 500 | 6345LA | | | | |
| 12 12" (300A) | 737 | 775 | 819 | 775 | 791 | 819 | 822 | 260 | 480 | 1250 | 1405 | 1865 | 630 | 1400 | 1555 | 2015 | 300 | 382 | Rc1/2 | 260 | 400 | 6330LA | | | | |
| | | | | | | | | | | 1430 | 1640 | 2195 | | 1580 | 1790 | 2345 | 450 | 555 | Rc1/2 | 330 | 500 | 6345LA | | | | |
| 14 14" (350A) | 889 | 927 | 972 | 927 | 943 | 972 | 975 | 320 | 625 | 1250 | 1405 | 1865 | 775 | 1400 | 1555 | 2015 | 300 | 382 | Rc1/2 | 260 | 400 | 6330LA | | | | |
| | | | | | | | | | | 1775 | 1985 | 2640 | | 1580 | 1790 | 2345 | 450 | 555 | Rc1/2 | 330 | 500 | 6345LA | | | | |
| 16 16" (400A) | 1016 | 1057 | 1108 | 1057 | 1073 | 1108 | 1111 | 370 | 720 | 1250 | 1405 | 1865 | 870 | 1400 | 1555 | 2015 | 300 | 382 | Rc1/2 | 260 | 400 | 6330LA | | | | |
| | | | | | | | | | | 1910 | 2115 | 2880 | | 1580 | 1790 | 2345 | 450 | 555 | Rc1/2 | 330 | 500 | 6345LA | | | | |
| 18 18" (450A) | 1140 | 1181 | 1239 | 1181 | 1197 | 1239 | 1242 | 420 | 815 | 1250 | 1405 | 1865 | 965 | 1400 | 1555 | 2015 | 300 | 382 | Rc1/2 | 260 | 400 | 6330LA | | | | |
| | | | | | | | | | | 1965 | 2175 | 2830 | | 1580 | 1790 | 2345 | 450 | 555 | Rc1/2 | 330 | 500 | 6345LA | | | | |
| | | | | | | | | | | 2100 | 2305 | 3070 | | 2250 | 2455 | 3220 | 600 | 730 | Rc3/4 | 445 | 630 | 6360LA | | | | |

* FLANGE IS ACCORDING TO THE STANDARD WHICH IS DESCRIBED ON SPECIFICATION SHEET.

NOTE:

DRAWING No.

E-550G-6300LA-W-NH

REV

A

KOSO

附表二

KOSO 控制阀公称压力对照表

| 公称压力等级代号 | L 级 | M 级 | H 级 | | | |
|----------|-----------|-----------------|--------------|-----------|------------|------------|
| 美国标准 | ANSI 150# | ANSI 300# | ANSI 600# | ANSI 900# | ANSI 1500# | ANSI 2500# |
| 日本标准 | JIS 10K | JIS 20K、JIS 30K | JIS 40K | JIS 63K | | |
| 中国标准 | PN 16 | PN 40 | PN 63、PN 100 | | | |

注：由于各国标准在公称压力定义时选择的温度基准不同，表中相同等级只是近似的，因此，各标准的公称压力下的温度·压力使用范围请参照相应的标准。

附表三

KOSO 控制阀阀体常用材质对照表

| | | | | | | |
|------|-----------|------------|------------------|----------|---------|----------|
| 美国标准 | A216-WCB | A351-CF8 | A351-CF8M | A217-WC6 | A217-C5 | A352-LCB |
| 日本标准 | SCPH2 | SCS13A | SCS14A | SCPH21 | SCPH61 | SCPL1 |
| 中国标准 | ZG230-450 | ZG0Cr18Ni9 | ZG0Cr18Ni12Mo2Ti | | | |
| 备 注 | 成份同 ZG25 | 成份同 304SS | 成份同 316SS | 一般不推荐使用 | 一般不推荐使用 | 一般不推荐使用 |