

# MAC

V A L V E S

## DUST COLLECTION SOLUTIONS



# MAC<sup>®</sup> PULSE VALVES



## MAC Design Advantage

- High Flow / Long Life / Low Leak / Balanced Spool Design
- Drop-in Mounting - Without Disturbing Existing Piping
- Fast/Repeatable Response Times for Quick and Accurate Purges
- Optimized for Reliable Performance in Harsh Environmental Conditions
- Bonded Spool Technology - Self Cleaning Bore

## Industry Specific Features

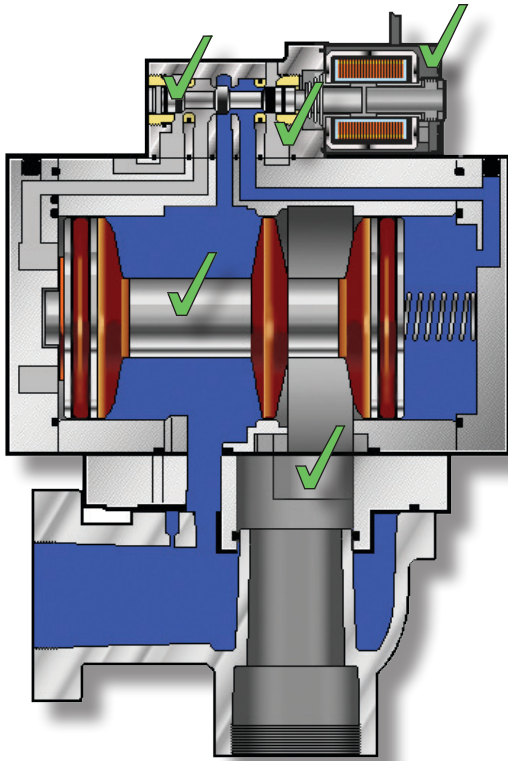
- Wide Range of Seals (Nitrile, Viton<sup>®</sup> and Proprietary Compounds)
- Environmentally Sealed for Wash Down Environments
- Remote Bleed and Integral Solenoid Pilot Available (AC & DC Voltage)



**Valves That Don't Stick<sup>SM</sup>**

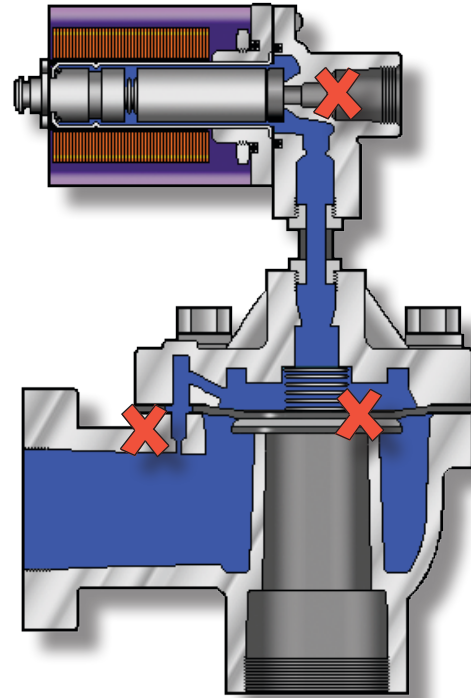
三千控制阀网  
[www.cv3000.com](http://www.cv3000.com)

## MAC Advantages



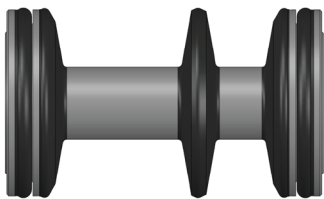
- ✓ **D-Seal Technology Isolates Solenoid**  
- Longer Life -
- ✓ **4 Way Pilot**  
- Maximized Shifting Forces-
- ✓ **Lifting Solenoid**  
- Consistent Response -
- ✓ **Dynamic Bonded Rubber Spool**  
- Balanced-  
- Wiping Action-
- ✓ **Adapter Plate**  
- Drop-in Replacement to Existing Base-

## Competition Design



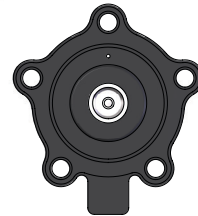
- ✗ **Contaminated Air Passes Through Unbalanced Solenoid**  
- Sticking & Burnout -
- ✗ **Small Fixed Orifice**  
- Blocked By Contaminants -
- ✗ **Diaphragm Ruptures**  
- Air Leaks -

## MAC Spool Design



✓ **Bonded Spool = Longer Life**  
**Wiping Action = Self Cleaning**  
**Balanced Design = Repeatable Purges**  
**Precision Ground Spool = Air Savings**

## Diaphragm Design



✗ **Ruptured Diaphragms = Short Life**  
**Frequent Routine Maintenance = High Cost of Ownership**  
**Unbalanced Diaphragm = Inconsistent Pulses**  
**Cracking and Leaking = Wasted Air**