

MAC Pulse Valve PV06 Series **MAC**[®]

The MAC Pulse Valve series is designed to be a direct drop-in replacement for existing pulse technology. The MAC solution utilizes a long life, bonded-spool design, instead of the traditional diaphragm style. MAC also uses a balanced pilot valve that isolates the solenoid from airline contamination. Available with integral solenoid pilot as well as bleed pilot configurations.

Direct Drop-In

The MAC Pulse Valve is available with various adapter options. These adapter options allow the MAC valve to directly replace the diaphragm technology with our bonded spool technology without disturbing plumbing. The MAC bleed configuration works with existing remotely located solenoids.

Harsh Environment Compatible

An aluminum die-cast body, nitrile seals and an environmentally protected solenoid are standard features. Viton[®] seals are also available for extreme temperature environments and chemical resistance.

Maintenance

Lower cost of ownership through reduction in downtime due to high reliability. When necessary, maintenance is simplified with available spool kits.

Base Adapters*

M-PV006-01 - 1 1/2" Goyen[™] Adapter
M-PV007-01 - 1 1/2" ASCO[®] Adapter
M-PV008-01 - 1 1/2" Norgren[®] Adapter
M-PV010-01 - 1 1/2" Turbo[™] D-Series Adapter
M-PV011-01 - 1 1/2" Turbo[™] F-Series Adapter

* Additional configurations available upon request

Spool Kits

Kit

Viton[®] K-PV002-05

Product Characteristics and Performance

Flow	Temp. Range Nitrile	Temp Range Viton	Pressure Range
53.2 Cv	0°F - 140°F -18°C - 60°C	-20°F - 230°F -29°C - 110°C	30 - 120 PSI 2.07 - 8.27 bar



MAC Pulse Valve PV06 Series



Configuration Options

Integral Pilot **PV06B- XXX - 46L - DXXX - XXX = XXXX**

Remote Bleed **PV06B - XXX - 46L - RBXX = XXXX**

Modifications
see below

Spool Type	Base Port Size & Thread Type	Int / Ext Pilot	Remote Bleed
0 Base Only	0 Basic Valve No Base	0 Base Only	11 NPTF threads
A N.C. Main W/Memory Spring Viton® Seals Thru-out	A 1 1/2" NPTF MAC Base C 1 1/2" BSPPL MAC Base E 1 1/2" BSPTR MAC Base	A Internal Pilot B External Pilot NPTF threads C External Pilot BSPPL threads D External Pilot BSPTR threads E Internal Pilot BSPPL threads F Internal Pilot BSPTR threads	14 BSPPL threads 15 BSPTR threads

Solenoid Valve Options

46L - DXXX - XXX

Voltage	Lead Wire Length	Manual Operator	Electrical Connector
DC	A 18"	0 No Operator	BA* Grommet
DA 24 VDC (5.4 W)	B 24"	1 Non Locking	BK Grommet w/Diode
EW 24 VDC (8.0 W)	C 36"		CM* Metal Conduit 1/2"
AC (Requires Modification)	D 48"		CN* Metal Conduit w/Ground 1/2"
DD 24 VAC (7.3 W)	E 72"		JA* Square Plug-in
DP 48 VAC (5.8 W)	F 96"		JB Rectangular Plug-in
EM 120 VAC (6.2 W)	J External		JC* Square Plug-in w/Light
GD 220 VAC (7.3 W)	Plug-In Lead		JD Rectangular Plug-in w/Light
			JJ* Square Male Only
			JM Rectangular Male Only
			KA* Mini Plug-in
			KB Mini Plug-in w/Diode
			KD Mini Plug-in w/Light
			KE Mini Plug-in w/Light & Diode
			KC Mini Plug-in w/LED & Diode
			KJ* Mini Plug-in Male Only
			KK Mini Plug-in Male Only w/Diode

Pilot Only Options - Bodies and Assemblies

- 46LB-LR0-RBXX=XXXX (bleed pilot valve)
See options above and modifications below
- 46LB-LP0-DXXX-XXX=XXXX (solenoid operated pilot valve)
See options above and modifications below

Modifications - One Selection Required

- PVVT Viton Seals
- PVVR Viton Seals and AC Voltage - Rectified
- PV01 Viton Seals, Silicone free grease
- PV02 Viton Seals, Silicone free grease and AC Voltage - Rectified
- PV03 Viton Seals, FDA food grade grease
- PV04 Viton Seals, FDA food grade grease and AC Voltage - Rectified

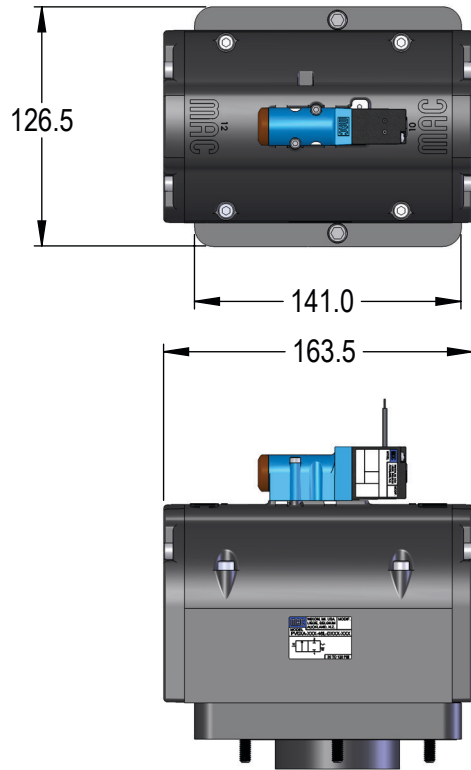
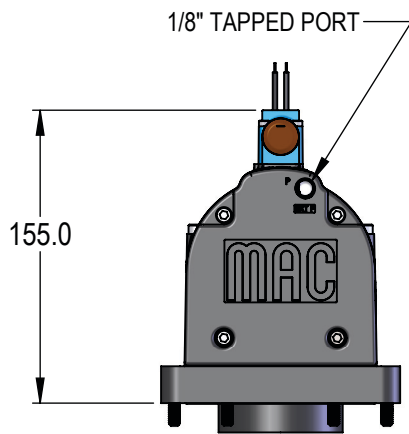
Spool and Adapter Kits

- K-PV002-05 Viton® (includes seals and spring)
- N-PV001-01 Solenoid Adapter Plate
- N-PV001-02 Remote Bleed Adapter Plate
- N-PV002-02 PV06 Check Stem Kit

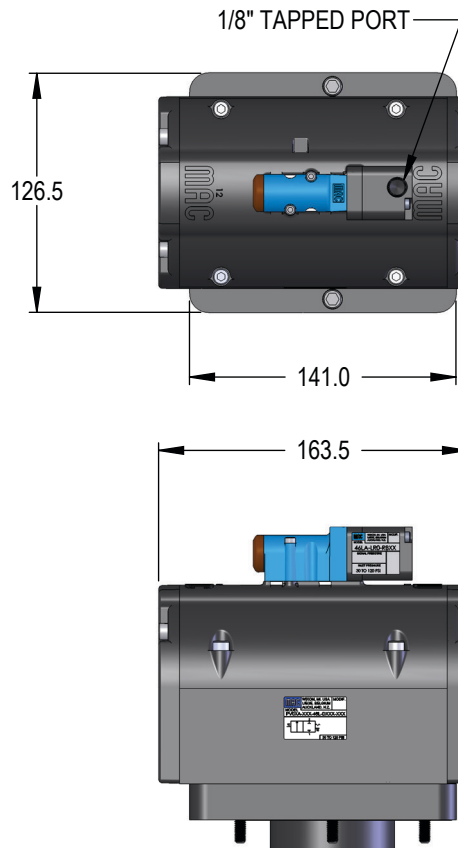
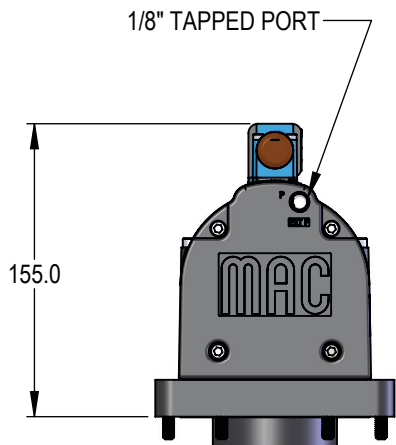
* (Connectors available with AC voltage-
requires modification)

MAC Pulse Valve PV06 Series **MAC**[®]

PV06 with Solenoid Pilot on M-PV006-01 Adapter

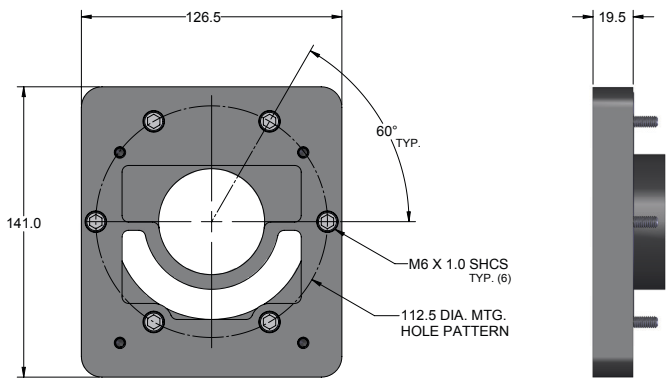


PV06 with Remote Bleed Pilot on M-PV006-01 Adapter

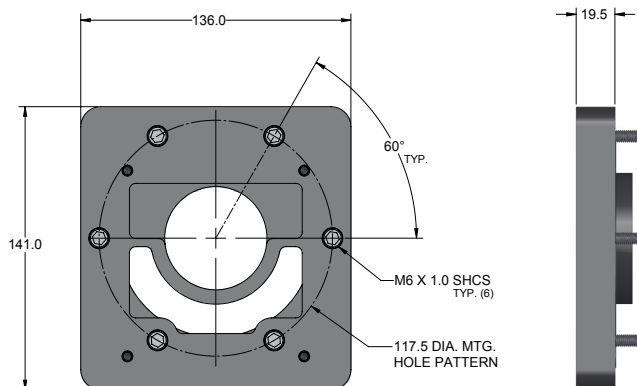


MAC Pulse Valve PV06 Series **MAC**[®]

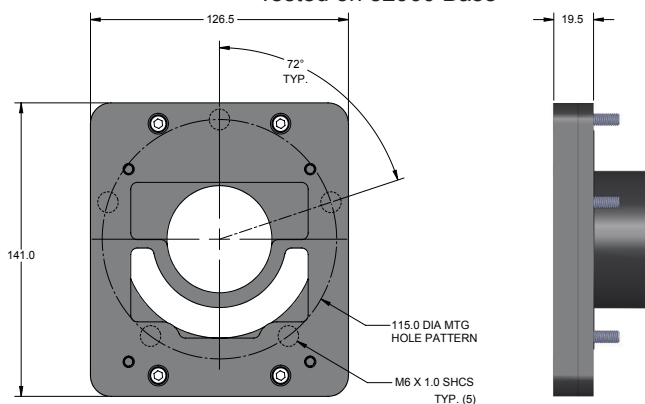
M-PV006-01
1 1/2" Goyen™ Adapter
Tested on 35T, 45T, and 45DD Bases



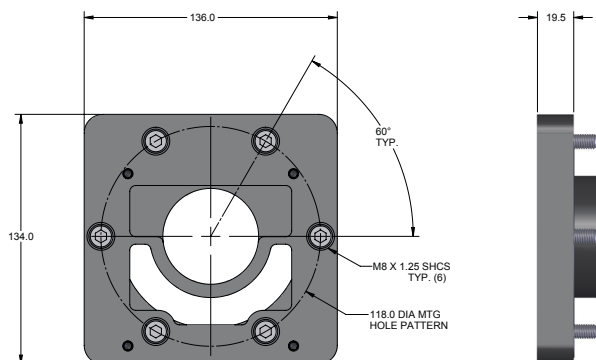
M-PV007-01
1 1/2" Asco® Adapter
Tested on J039 Base



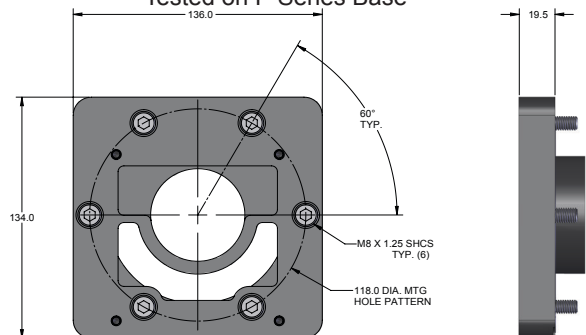
M-PV008-01
1 1/2" Norgren® Adapter
Tested on 82960 Base



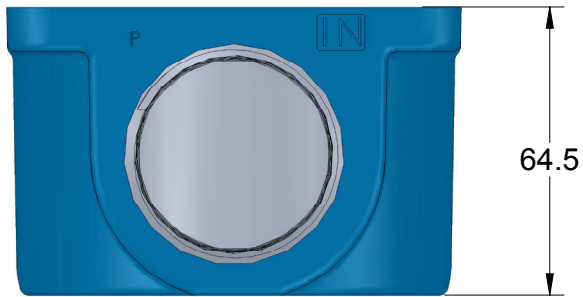
M-PV010-01
1 1/2" Turbo™ D-Series Adapter
Tested on D-Series Base



M-PV011-01
1 1/2" Turbo™ F-Series Adapter
Tested on F-Series Base



MAC Pulse Valve PV06 Series



MAC 1 1/2" Base

