

MAC Pulse Valve PV03 Series **MAC**[®]

The MAC Pulse Valve series is designed to be a direct drop-in replacement for existing pulse technology. The MAC solution utilizes a long life, bonded-spool design, instead of the traditional diaphragm style. MAC also uses a balanced pilot valve that isolates the solenoid from airline contamination. Available with integral solenoid pilot as well as bleed pilot configurations.

Direct Drop-In

The MAC Pulse Valve is available with various adapter options. These adapter options allow the MAC valve to directly replace the diaphragm technology with our bonded spool technology without disturbing plumbing. The MAC bleed configuration works with existing remotely located solenoids.

Harsh Environment Compatible

An aluminum die-cast body, nitrile seals and an environmentally protected solenoid are standard features. Viton[®] seals are also available for extreme temperature environments and chemical resistance.

Maintenance

Lower cost of ownership through reduction in downtime due to high reliability. When necessary, maintenance is simplified with available spool kits.

Base Adapters*

M-PV001-01 - ASCO[®] / Flex-Kleen[®] 3/4" Adapter
 M-PV002-01 - Goyen[™] 3/4" Adapter
 M-PV003-01 - ASCO[®] 1" Adapter
 M-PV004-01 - Turbo[™] 1" Adapter
 M-PV005-01 - Goyen[™] 1" Adapter
 M-PV009-01 - ASCO[®] 3/4" External Adapter

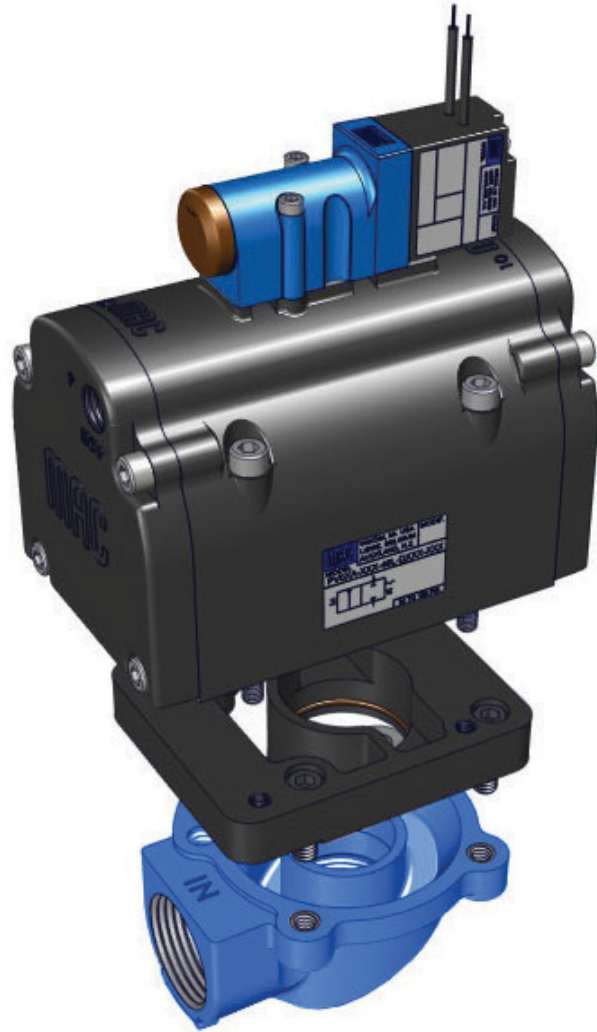
* Additional configurations available upon request

Spool Kits

Kit
 Viton[®] K-PV001-05

Product Characteristics and Performance

| Flow | Temp. Range Nitrile | Temp Range Viton | Pressure Range |
|-------|-----------------------------|--------------------------------|---------------------------------|
| 24 Cv | 0°F - 140°F -18°C - 60°C | -20°F - 230°F -29°C - 110°C | 30 - 120 PSI 2.07 - 8.27 bar |



MAC Pulse Valve PV03 Series



Configuration Options

Integral Pilot **PV03B - XXX - 46L - DXXX - XXX = XXXX**

Remote Bleed **PV03B - XXX - 46L - RBXX = XXXX**

Modifications
see below

| Spool Type | | Base Port Size & Thread Type | | Int / Ext Pilot | | Remote Bleed | |
|------------|--|------------------------------|---------------------|-----------------|------------------------------|--------------|---------------|
| 0 | Base Only | 0 | Basic Valve No Base | 0 | Base Only | 11 | NPTF threads |
| A | N.C. Main W/Memory Spring Viton® Seals Thru-out | A | 3/4" NPTF MAC Base | A | Internal Pilot | 14 | BSPPL threads |
| | | B | 1" NPTF MAC Base | B | External Pilot NPTF threads | 15 | BSPTR threads |
| | | C | 3/4" BSPPL MAC Base | C | External Pilot BSPPL threads | | |
| | | D | 1" BSPPL MAC Base | D | External Pilot BSPTR threads | | |
| | | E | 3/4" BSPTR MAC Base | E | Internal Pilot BSPPL threads | | |
| | | F | 1" BSPTR MAC Base | F | Internal Pilot BSPTR threads | | |

Solenoid Valve Options

46L - DXXX - XXX

| Voltage | | Lead Wire Length | | Manual Operator | | Electrical Connector | |
|----------------------------|-----------------|------------------|--------------------------|-----------------|-------------|----------------------|--------------------------------|
| DC | | A | 18" | 0 | No Operator | BA* | Grommet |
| DA | 24 VDC (5.4 W) | B | 24" | 1 | Non Locking | BK | Grommet w/Diode |
| EW | 24 VDC(8.0 W) | C | 36" | | | CM* | Metal Conduit 1/2" |
| AC (Requires Modification) | | D | 48" | | | CN* | Metal Conduit w/Ground 1/2" |
| DD | 24 VAC (7.3 W) | E | 72" | | | JA * | Square Plug-in |
| DP | 48 VAC (5.8 W) | F | 96" | | | JB | Rectangular Plug-in |
| EM | 120 VAC (6.2 W) | J | External Plug-In Lead | | | JC * | Square Plug-in w/Light |
| GD | 220 VAC (7.3 W) | | | | | JD | Rectangular Plug-in w/Light |
| | | | | | | JJ * | Square Male Only |
| | | | | | | JM | Rectangular Male Only |
| | | | | | | KA* | Mini Plug-in |
| | | | | | | KB | Mini Plug-in w/Diode |
| | | | | | | KD | Mini Plug-in w/Light |
| | | | | | | KE | Mini Plug-in w/Light & Diode |
| | | | | | | KC | Mini Plug-in w/LED & Diode |
| | | | | | | KJ * | Mini Plug-in Male Only |
| | | | | | | KK | Mini Plug-in Male Only w/Diode |

Pilot Only Options - Bodies and Assemblies

- 46LB-LR0-RBXX=XXXX (bleed pilot valve)
See options above and modifications below
- 46LB-LP0-DXXX-XXX=XXXX (solenoid operated pilot valve)
See options above and modifications below

Modifications - One Selection Required

- PVVT Viton Seals
- PVVR Viton Seals and AC Voltage - Rectified
- PV01 Viton Seals, Silicone free grease
- PV02 Viton Seals, Silicone free grease and AC Voltage - Rectified
- PV03 Viton Seals, FDA food grade grease
- PV04 Viton Seals, FDA food grade grease and AC Voltage - Rectified

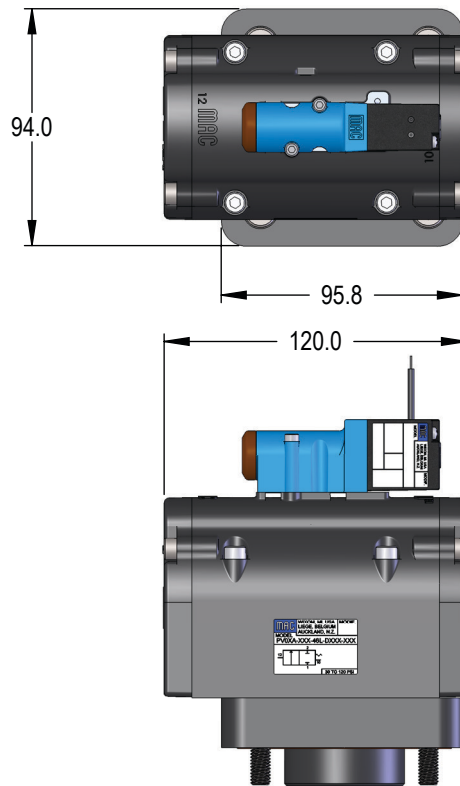
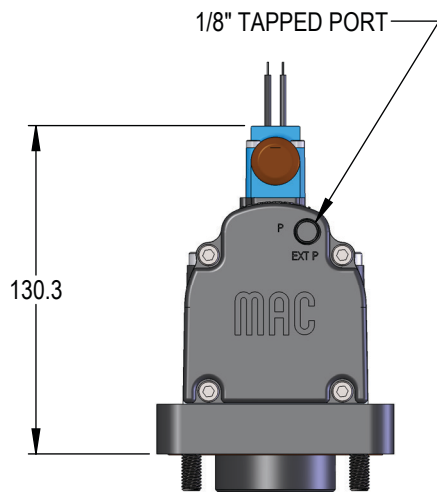
Spool and Adapter Kits

- K-PV001-05 Viton® (includes seals and spring)
- N-PV001-01 Solenoid Adapter Plate
- N-PV001-02 Remote Bleed Adapter Plate
- N-PV002-01 PV03 Check Stem Kit

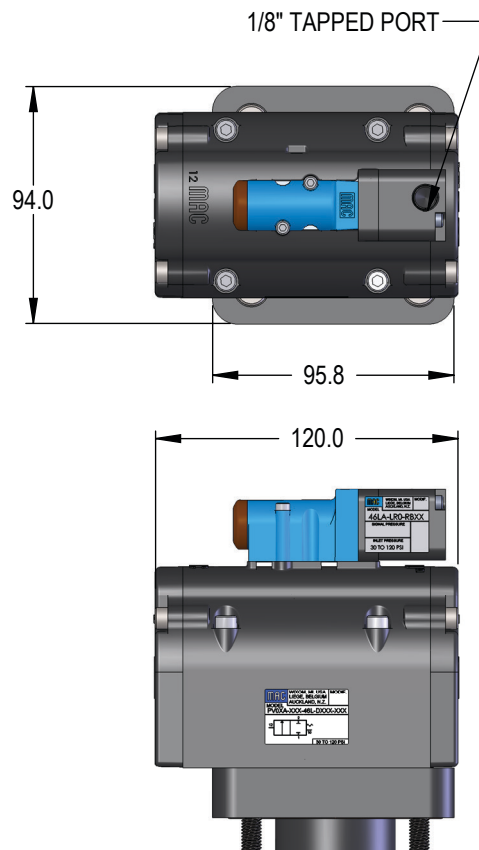
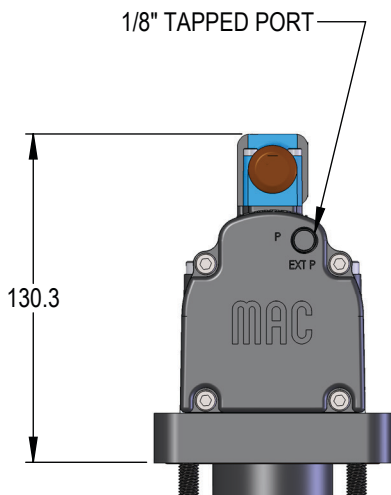
* (Connectors available with AC voltage-
requires modification)

MAC Pulse Valve PV03 Series **MAC**[®]

PV03 with Solenoid Pilot on M-PV005-01 Adapter

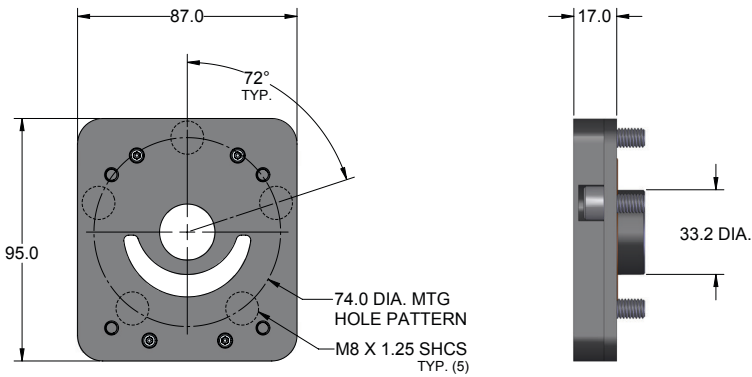


PV03 with Remote Bleed Pilot on M-PV005-01 Adapter

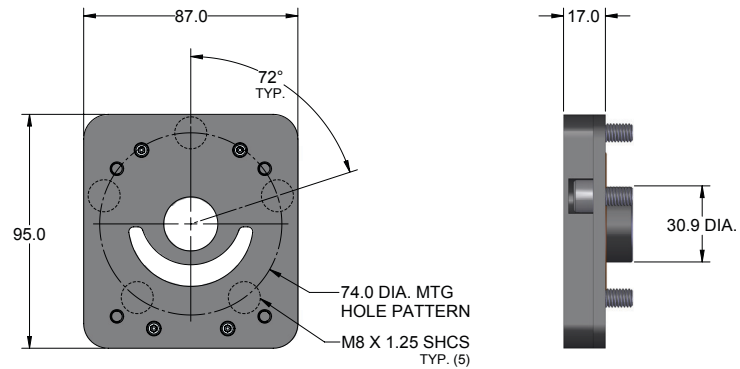


MAC Pulse Valve PV03 Series **MAC**[®]

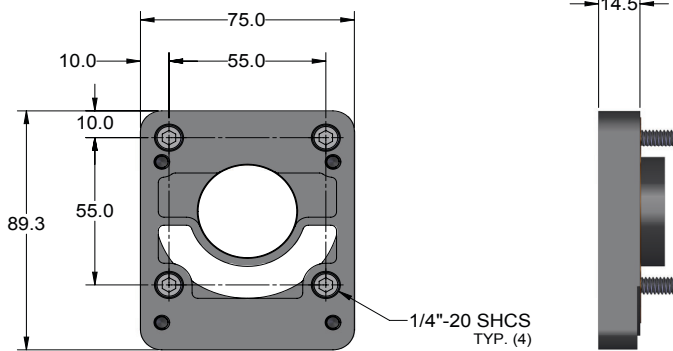
M-PV001-01
 ASCO[®]/ Flex-Kleen[®] 3/4" Adapter
 Tested on C030 and C033 Bases



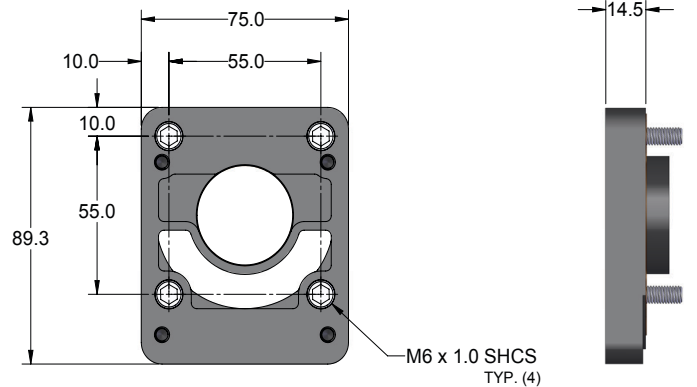
M-PV002-01
 Goyen[™] 3/4" Adapter
 Tested on 20T Base



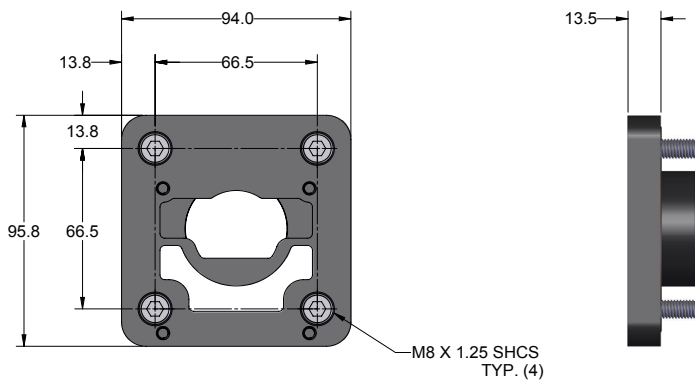
M-PV003-01
 ASCO[®] 1" Adapter
 Tested on C035 Base



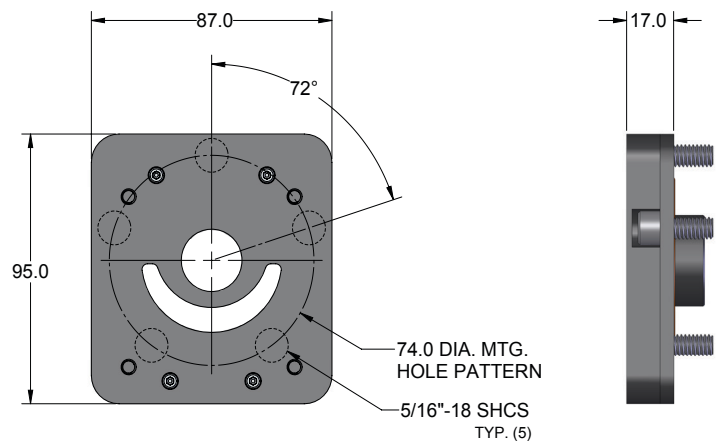
M-PV004-01
 Turbo[™] 1" Adapter
 Tested on FM25 and FP25 Bases



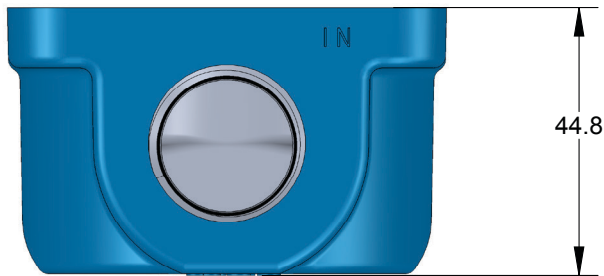
M-PV005-01
 Goyen[™] 1" Adapter
 Tested on 25T Base



M-PV009-01
 ASCO[®] 3/4" Extended Adapter
 Tested on C004 Base



MAC Pulse Valve PV03 Series



MAC 3/4" or 1" Base

