



ZJTR 超性能 O 型陶瓷球阀

ZJTR 超性能 O 型陶瓷球阀是由气动或电动执行机构和 O 型陶瓷球阀组成。其结构紧凑、重量轻、体积小、装拆维护方便。流路畅通、流阻小；密封性能好，泄露低；可调比大。该球阀除具有金属球阀的优点外，还具有极强的耐腐蚀、耐高温、耐磨损、耐冲蚀等显著特点。广泛应用于石化、冶金、造纸、电站脱硫、炼油等行业的各类酸碱与气体、液体、高温蒸汽和泥浆输送系统中，特别是在强腐蚀场合，是钛合金阀、蒙乃尔阀理想的替代品，且具有成本低，运行经济性高和寿命长（是钛阀的 2~4 倍）的优点。

High Quality Type O Ceramic Ball Valve

ZJTR High quality type O ceramic ball valve combines pneumatic/electric actuator and small type O ceramic ball valve which features compact construction, light weight, small volume, convenient maintains, unimpeded flow passage, low flow resistance, perfect sealing, low leakage and large rangeability. Besides the features of metal ball valve, the remarkable characteristic of which includes greatly strengthened anti-corrosive, resistance to elevated temperature, anti-abrasive and erosion resistance, etc. It is used to a considerable extent for varies of delivery systems such as acid and alkali, gas, liquid, high temperature steam and slurry in petrochemical corporation, metallurgy, paper making, sulfur removal in power station and oil refining industry. Especially in strongly corrosion occasion, the valve is an ideal substitute for titanium alloy valve or monel valve, and low cost, high operational economic and long service life (2~4 times of titanium valve) are available

标准规格 STANDARD SPECIFICATION

阀体 BODY

| | |
|--------------------------|--|
| 形 式 Type | ZJTR |
| 公称通径 Normal size | 1" (25)、1¼" (32)、1½" (40)、2" (50)、2½" (65)、3" (80)、4" (100)、5" (125)、6" (150)、8" (200) |
| 阀芯型式 Plug model | 球型阀芯 Spherical type plug |
| 流量特性 Flow characteristic | 快开 Quick opening (ON-OFF) |
| 阀内件材质 Trim material | 标准材质组合及使用温度·压力范围，参见表 1 Standard material/Operating temperature—pressure rating, see Table 1 |
| 公称压力 Pressure rating | ANSI 125、150、300 JIS 10、16、20、30 PN 1.6、4.0MPa |
| 连接型式 End connection | 法兰连接密封面型式 Sealing face of flange connection: RF, MFM |
| 法兰标准 Flange standard | JIS B2201-1984、JB/T79.1-94(PN1.6MPa);JB/T79.2-94(PN4.0MPa); ANSI B16.5-2009;HG20592-2009、HG20615-2009 |
| 尺 寸 Dimension | 见表 6 See Table 6 |
| 填 料 Packing | V 型聚四氟乙烯填料、石墨填料 Teflon V-ring, Graphite |
| 表面涂层色 Surface coating | 银灰色，但阀体材质为不锈钢时，阀体不加涂层 Silver gray, but without coating when the body material is stainless steel. |

执行机构 ACTUATOR

| 型号 Type | 气动执行机构 Pneumatic actuator | | |
|---------------------|--|---|----|
| | DA | SR | AW |
| 规格 Specification | | | |
| 供气压力 Air supply | 400~700kPa | | |
| 气源接口 Air connection | G1/8"、G1/4"、G3/8"、G1/2"、G3/4" | | |
| 行程角度 Stroke angle | 90° | | |
| 动作 Action | 根据控制信号转换阀开或阀闭 Valve open or shut by control signal | 正作用（气压增加阀闭） Direct action (Air to valve shut) 反作用（气压增加阀开） Reverse action (Air to valve open) | |
| 环境温度 Ambient Temp. | 标准型 Standard tservice-20~+60℃ 高温型 High Temp.service 0~+100℃ 低温型 Low Temp.service -50~+60℃ | | |
| 附件 Accessories | 电磁阀、空气过滤减压器、保位阀、行程开关、阀位传送器、手轮机构等 Solenoid valve, Filter regulator (Air set), Air lock, Travel switch, Valve position transducer and manual handle, etc. | | |

| 型号 Type | 电动执行机构 Electric actuator | |
|--------------------|---|-----------------|
| | EI | M8000 |
| 规格 Specification | | |
| 输入信号 Input signal | 4~20mA • DC | 4~20mA • DC |
| 电源电压 Power supply | 220V/ AC 60Hz | 380V/AC 50/60Hz |
| 行程角度 Stroke angle | 90° | 90° |
| 动作 Action | 根据控制信号转换阀开或阀闭 Valve open or shut by control signal | |
| 环境温度 Ambient Temp. | -20~+70℃ | -25℃~+80℃ |

性能 PERFORMANCE

| | | |
|-------------------------------|---|--|
| 性能参数 Performance Parameter | 执行机构 Actuator DA (SR)、AW 系列气动执行机构 DA (SR), AW series Pneumatic actuator | EI 系列电动执行机构 EI series electric actuator |
| 阀作用型式 Action type | 气关式或气开式 FO or FC type | 电关式或电开式 Electric to close or electric to open |
| 可调比 Rangeability | 200:1 | 200:1 |
| 阀座泄漏率 Seat leakage | 见表 1 See Table 1 | 见表 1 See Table 1 |
| 允许压差 Allowable pressure drops | 见表 4 See Table 4 | 见表 4 See Table 4 |

表 1 阀体、阀内件标准材料组合及使用温度范围

Table 1 OPERATING TEMPERATURE FOR BODY AND TRIMS MATERIAL COMBINATION

| | |
|-------------------------|--|
| 阀 体 Body | A216-WCB, SCS13A/A351-CF8, SCS14A/CF8M, |
| 球 芯 Plug | 陶瓷 (具体性能见表) Ceram (Performance for details please see the Table) |
| 阀 杆 Stem | 304, 316, 哈氏 Hastelloy B |
| 阀 座 Seat | 陶瓷 (具体性能见表) Ceram (Performance for details please see the Table) |
| 内 衬 里 Liner | 陶瓷 (具体性能见表) Ceram (Performance for details please see the Table) |
| 密 封 圈 Sealing ring | VITON |
| 填 料 Packing | V 型聚四氟乙烯填料、石墨填料 Teflon V-ring, Graphite |
| 使用温度 Operating Temp. | -17~230℃ |
| 允许泄漏量 Allowable leakage | Class V |

表 2 陶瓷材料及机械性能

Table 2 CERAM MATERIALS AND MECHANICAL PERFORMANCE

| 性能 Performance 材料 Material | 密度 Density g/cm ³ | 硬度 Hardness HRC | 抗弯强度 Buckling strength MPa | 断裂韧性 Fracture ductility N/m ³ |
|---|---------------------------------|--------------------|----------------------------------|--|
| ZTA (ZrO ₂ +Al ₂ O ₃) | 4.2~4.6 | 90~92 | 700~720 | 4.5~5.0 |
| PSZ (ZrO ₂ +Y ₂ O ₃) | 5.8~6.0 | 87~90 | 800~1000 | 11.0~19.0 |
| 反应烧结 Reaction sintering Si ₃ N ₄ | 2.65~2.95 | 84~88 | 245~265 | 1.7~1.9 |
| 压力烧结 Pressure sintering | 3.20~3.33 | 92~94 | 900~1100 | 4.5~5.2 |
| Al ₂ O ₃ | 3.70~3.90 | 87~92 | 300~500 | 2.0~4.0 |
| SiC | 3.15~3.25 | 93~95 | 450~470 | 3.85~4.0WE |

表 3-1 阀体材料的使用温度·压力范围

单位: MPa

Table 3-1 BODY MATERIAL/OPERATING PRESSURE—TEMPERATURE RATING

Unit: MPa

| 温度 Temperature °C | ANSI150 | | | ANSI300 | | |
|----------------------|---------|---------------|----------------|---------|---------------|----------------|
| | WCB | SCS13A CF8 | SCS14A CF8M | WCB | SCS13A CF8 | SCS14A CF8M |
| -45~-5 | — | 1.90 | 1.90 | — | 4.95 | 4.95 |
| -5~38 | 1.96 | 1.90 | 1.90 | 5.10 | 4.95 | 4.95 |
| 50 | 1.92 | 1.84 | 1.84 | 5.00 | 4.77 | 4.80 |
| 100 | 1.76 | 1.56 | 1.61 | 4.63 | 4.08 | 4.21 |
| 150 | 1.57 | 1.39 | 1.47 | 4.51 | 3.62 | 3.85 |
| 200 | 1.40 | 1.25 | 1.37 | 4.38 | 3.27 | 3.56 |
| 250 | 1.20 | 1.16 | 1.20 | 4.16 | 3.04 | 3.34 |

表 3-2 JB/T79-94 或 HG20592-2009

Table 3-2 JB/T79-94 or HG20592-2009

| 温度 Temperature °C | PN16 | PN40 | 温度 Temperature °C | PN16 | PN40 |
|-------------------|-----------|------|-------------------|------------|------|
| | ZG230-450 | | | ZG0Cr18Ni9 | |
| -5~200 | 1.60 | 4.00 | -45~200 | 1.60 | 4.00 |
| ~250 | 1.40 | 3.50 | | | |

阀体结构 BODY SECTION VIEW

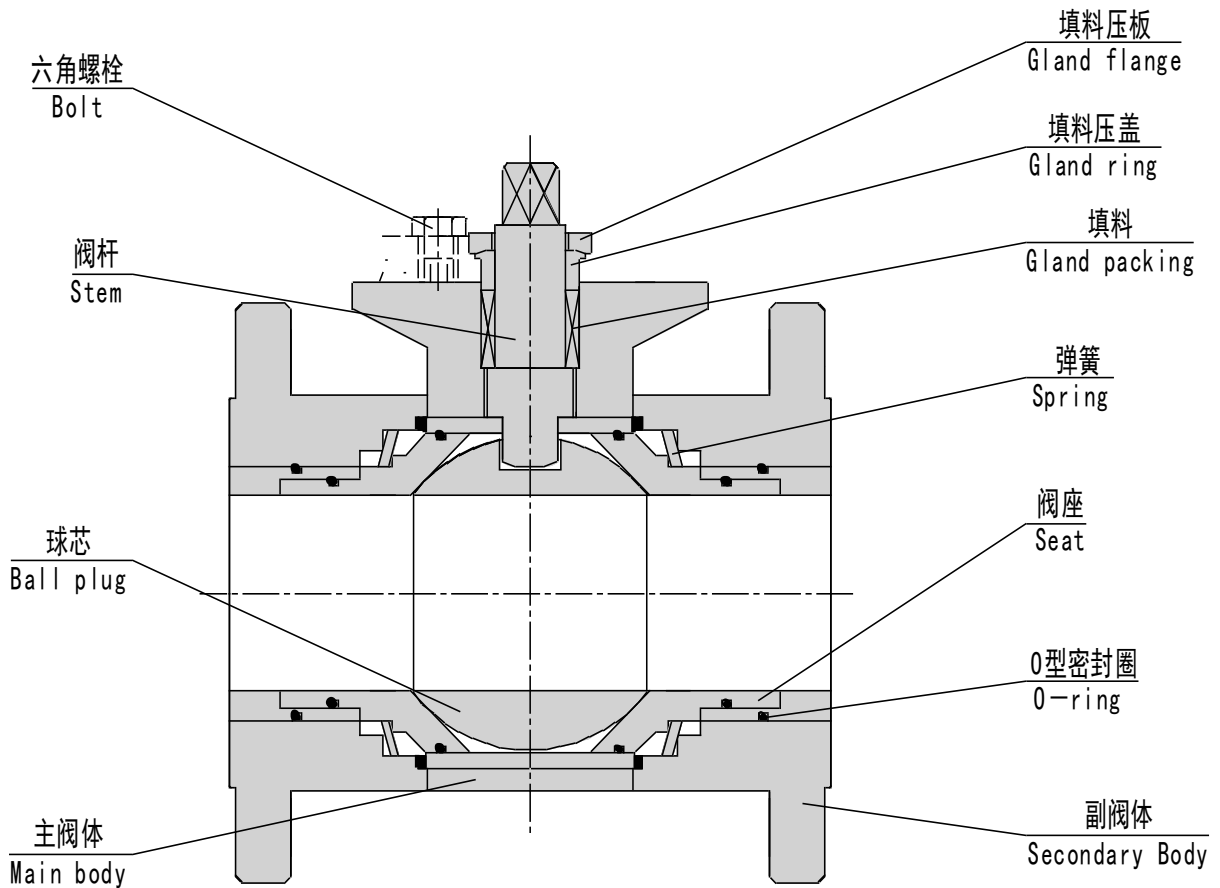


表 4 最大允许压差

Table 4 MAX.ALLOWABLE PRESSURE DROPS

| 公称通径 Nominal diameter Inch(mm) | 1"(25) | 1¼"(32) | 1½"(40) | 2"(50) | 2½"(65) | 3"(80) | 4"(100) | 5"(125) | 6"(150) | 8"(200) |
|--------------------------------------|--------|---------|---------|--------|---------|--------|---------|---------|---------|---------|
| Cv | 18 | 28 | 47 | 73 | 114 | 181 | 292 | 456 | 712 | 1025 |
| 切断 Cut-off (100KPa) | 50 | 50 | 50 | 50 | 50 | 50 | 50 | 49.5 | 32.1 | 37.1 |

表 5 执行机构标准配置及最大关闭压力

Table 5 STANDARD CONFIGURATION OF ACTUATOR AND MAX.SHUT-OFF PRESSURE

表 5-1 气动双作用执行机构

Table 5-1 PNEUMATIC DOUBLE-ACTING ACTUATOR COMBINED

| 阀体等级 Body grade | | PN16、ANSI150 | | | | | | | | | | | |
|--------------------------------------|-------|-----------------|--------------|------------|-------------|-------------|------------|-------------|------------|-------------|-------------|-------------|-------------|
| 阀型式 Valve type | | 浮动球型 Float ball | | | | | | | | | | | |
| 公称通径 Nominal diameter Inch(mm) | | 1/2" (15) | 3/4" (20) | 1" (25) | 1¼" (32) | 1½" (40) | 2" (50) | 2½" (65) | 3" (80) | 4" (100) | 5" (125) | 6" (150) | 8" (200) |
| 执行机构 Actuator | DA75 | 2.01 | | | | | | | | | | | |
| | DA83 | | 2.01 | 2.01 | | | | | | | | | |
| | DA92 | | | | 2.01 | | | | | | | | |
| | DA83 | | | | | 2.01 | | | | | | | |
| | DA105 | | | | | | 2.01 | | | | | | |
| | DA125 | | | | | | | 2.01 | | | | | |
| | DA140 | | | | | | | | 2.01 | 2.01 | | | |
| | DA160 | | | | | | | | | | 2.01 | | |
| | DA190 | | | | | | | | | | | 2.01 | |
| | DA210 | | | | | | | | | | | | 2.01 |
| 阀体等级 Body grade | | PN40、ANSI300 | | | | | | | | | | | |
| 阀型式 Valve type | | 浮动球型 Float ball | | | | | | | | | | | |
| 公称通径 Nominal diameter Inch(mm) | | 1/2" (15) | 3/4" (20) | 1" (25) | 1¼" (32) | 1½" (40) | 2" (50) | 2½" (65) | 3" (80) | 4" (100) | 5" (125) | 6" (150) | 8" (200) |
| 执行机构 Actuator | DA92 | 5.0 | 5.0 | | | | | | | | | | |
| | DA105 | | | 5.0 | 5.0 | | | | | | | | |
| | DA125 | | | | | 5.0 | 5.0 | | | | | | |
| | DA140 | | | | | | | 5.0 | | | | | |
| | DA160 | | | | | | | | 5.0 | 5.0 | | | |

表 5-2 气动单作用执行机构

Table 5-1 PNEUMATIC SPRING RETURN ACTUATOR COMBINED

| 阀体等级 Body grade | | PN16、ANSI150 | | | | | | | | | | | |
|--------------------------------------|-------|-----------------|--------------|------------|-------------|-------------|------------|-------------|------------|-------------|-------------|-------------|-------------|
| 阀型式 Valve type | | 浮动球型 Float ball | | | | | | | | | | | |
| 公称通径 Nominal diameter Inch(mm) | | 1/2" (15) | 3/4" (20) | 1" (25) | 1¼" (32) | 1½" (40) | 2" (50) | 2½" (65) | 3" (80) | 4" (100) | 5" (125) | 6" (150) | 8" (200) |
| 执行机构 Actuator | SR92 | 2.01 | | | | | | | | | | | |
| | SR105 | | 2.01 | 2.01 | | | | | | | | | |
| | SR125 | | | | 2.01 | | | | | | | | |
| | SR140 | | | | | 2.01 | 2.01 | | | | | | |
| | SR160 | | | | | | | 2.01 | | | | | |
| | SR190 | | | | | | | | 2.01 | | | | |
| | SR210 | | | | | | | | | 2.01 | | | |
| | SR240 | | | | | | | | | | 2.01 | | |
| | SR270 | | | | | | | | | | | 2.01 | 2.01 |
| 阀体等级 Body grade | | PN40、ANSI300 | | | | | | | | | | | |
| 阀型式 Valve type | | 浮动球型 Float ball | | | | | | | | | | | |
| 公称通径 Nominal diameter Inch(mm) | | 1/2" (15) | 3/4" (20) | 1" (25) | 1¼" (32) | 1½" (40) | 2" (50) | 2½" (65) | 3" (80) | 4" (100) | 5" (125) | 6" (150) | 8" (200) |
| 执行机构 Actuator | SR125 | 5.0 | 5.0 | | | | | | | | | | |
| | SR140 | | | 5.0 | 5.0 | | | | | | | | |
| | SR160 | | | | | 5.0 | 5.0 | | | | | | |
| | SR210 | | | | | | | 5.0 | | | | | |
| | SR240 | | | | | | | | 5.0 | 5.0 | | | |

表 5-3 电动执行机构

Table 5-3 ELECTRIC ACTUATOR

| 阀体等级 Body grade | | PN16、ANSI150 | | | | | | | | | | | |
|--------------------------------------|--------|-----------------|--------------|------------|-------------|-------------|------------|-------------|------------|-------------|-------------|-------------|-------------|
| 阀型式 Valve type | | 浮动球型 Float ball | | | | | | | | | | | |
| 公称通径 Nominal diameter Inch(mm) | | 1/2" (15) | 3/4" (20) | 1" (25) | 1¼" (32) | 1½" (40) | 2" (50) | 2½" (65) | 3" (80) | 4" (100) | 5" (125) | 6" (150) | 8" (200) |
| 执行机构 Actuator | EI-010 | 2.01 | 2.01 | 2.01 | | | | | | | | | |
| | EI-016 | | | | 2.01 | 2.01 | | | | | | | |
| | EI-025 | | | | | | 2.01 | 2.01 | | | | | |
| | EI-035 | | | | | | | | 2.01 | | | | |
| | EI-050 | | | | | | | | | 2.01 | | | |
| | EI-080 | | | | | | | | | | 2.01 | 2.01 | |
| | EI-120 | | | | | | | | | | | | 2.01 |
| 阀体等级 Body grade | | PN40、ANSI300 | | | | | | | | | | | |
| 阀型式 Valve type | | 浮动球型 Float ball | | | | | | | | | | | |
| 公称通径 Nominal diameter Inch(mm) | | 1/2" (15) | 3/4" (20) | 1" (25) | 1¼" (32) | 1½" (40) | 2" (50) | 2½" (65) | 3" (80) | 4" (100) | 5" (125) | 6" (150) | 8" (200) |
| 执行机构 Actuator | EI-010 | 5.0 | | | | | | | | | | | |
| | EI-016 | | 5.0 | | | | | | | | | | |
| | EI-025 | | | 5.0 | 5.0 | | | | | | | | |
| | EI-035 | | | | | 5.0 | | | | | | | |
| | EI-050 | | | | | | 5.0 | 5.0 | 5.0 | | | | |
| | EI-080 | | | | | | | | | 5.0 | | | |

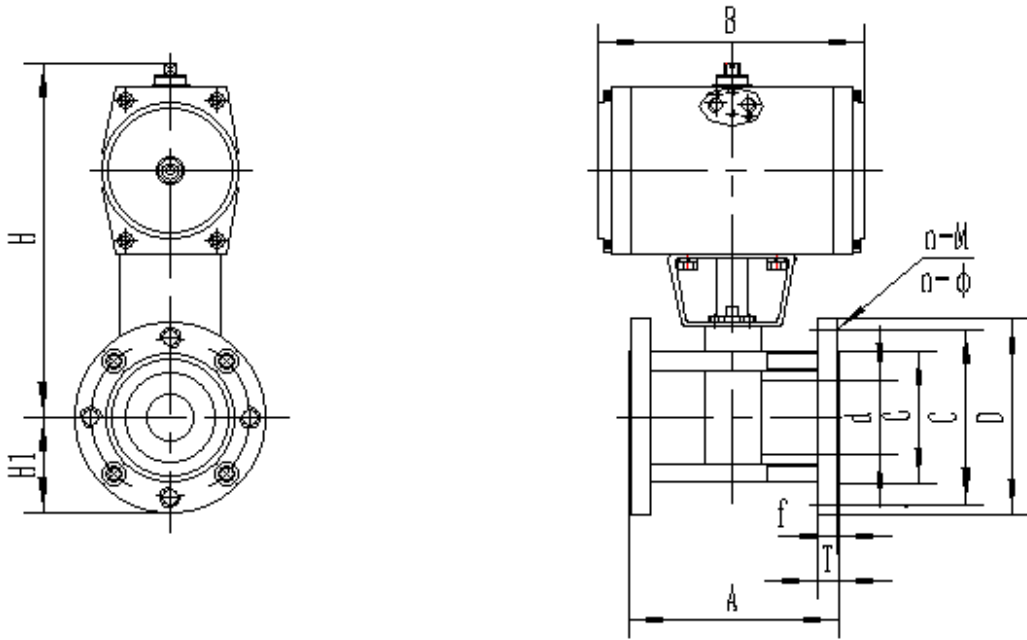


图 1 配 DA(SR)外形尺寸图 (不带手轮)

Fig.1 OUTLINE DIMENSIONS OF STANDARD VALVE AND DA (SR) ACTUATOR COMBINED (WITHOUT HANDLE)

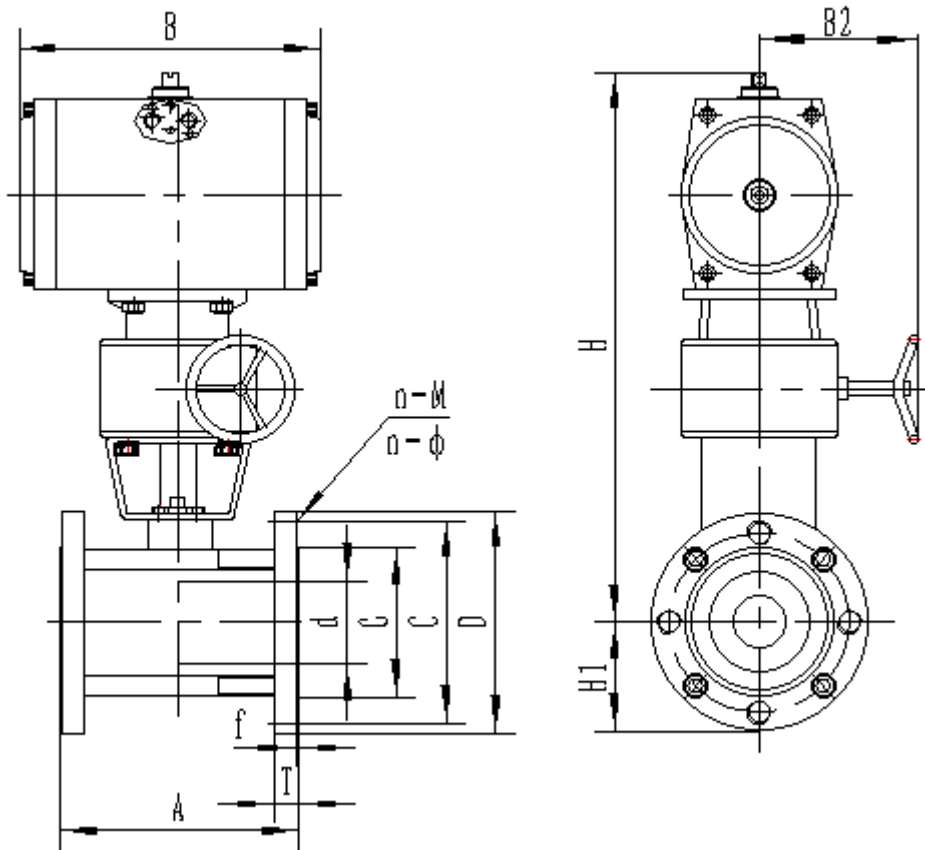


图 2 配 DA(SR)外形尺寸图 (带手轮)

Fig.2 OUTLINE DIMENSIONS OF STANDARD VALVE AND DA (SR) ACTUATOR COMBINED (WITH HANDLE)

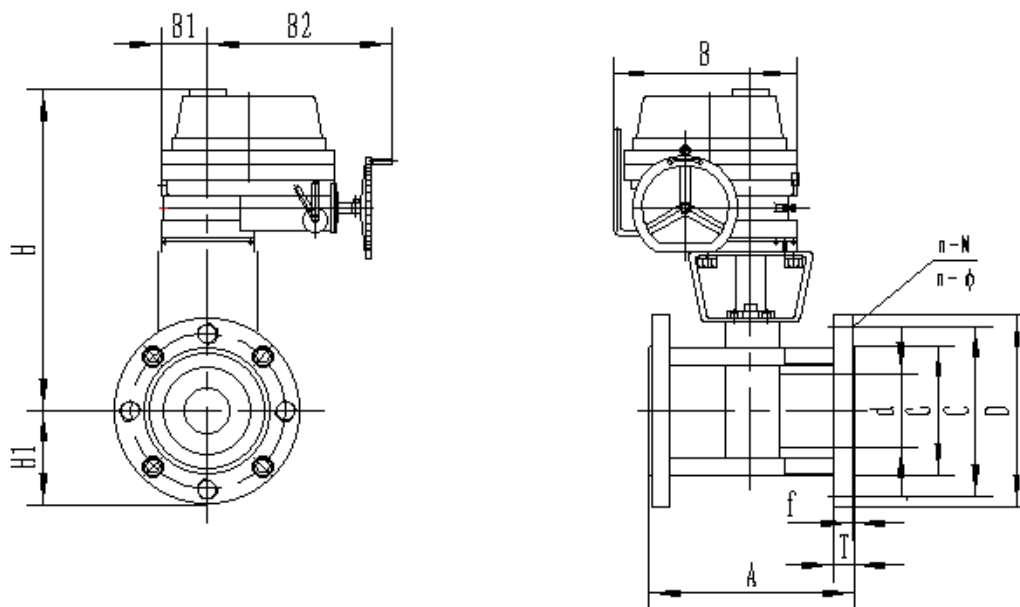


图3 配 EI 电动执行机构外形尺寸图（带手轮）

Fig.3 OUTLINE DIMENSIONS OF STANDARD VALVE AND EI ELECTRIC ACTUATOR COMBINED (WITH HANDLE)

外形尺寸 OUTLINE DIMENSION

表 6-1 PN16、ANSI 150 配 DA (SR) 外形尺寸 (不带手轮)

Table 6-1 PN16、ANSI 150 and DA (SR) ACTUATOR COMBIEND (WITHOUT HANDLE)

mm

| 公称通径 Nominal diameter Inch(mm) | 执行机 构 Actuator | H | B | A | d | PN16(HG20596-97) | | | | | f | ANSI150(HG20618-97) | | | | | f |
|---|----------------------|-----|-----|-----|-----|------------------|-----|-----|------------------|----|--------|---------------------|-------|-----------------|------------------|------|-----|
| | | | | | | G | C | D | n-M n- ϕ | T | | G | C | D | n-M n- ϕ | T | |
| 1/2"(15) | SR92 | 277 | 260 | 108 | 15 | 46 | 65 | 95 | 4-M12 | 14 | 2 2 | 35 | 60.5 | 90 | 4-M14 | 11.5 | 1.6 |
| | DA75 | 257 | 184 | | | | | | | | | | | | | | |
| 3/4"(20) | SR105 | 288 | 260 | 117 | 20 | 56 | 75 | 105 | 4-M12 | 16 | | 43 | 70 | 100 | 4-M14 | 13 | |
| | DA83 | 264 | 204 | | | | | | | | | | | | | | |
| 1"(25) | SR105 | 320 | 260 | 127 | 25 | 65 | 85 | 115 | 4-M12 | 16 | | 51 | 79.5 | 110 | 4-M14 | 14.5 | |
| | DA83 | 284 | 204 | | | | | | | | | | | | | | |
| 1 1/4"(32) | SR125 | 368 | 298 | 140 | 32 | 76 | 100 | 140 | 4-M16 | 18 | | 63.5 | 89 | 120 | 4-M14 | 16 | |
| | DA92 | 306 | 204 | | | | | | | | | | | | | | |
| 1 1/2"(40) | SR140 | 397 | 390 | 165 | 40 | 84 | 110 | 150 | 4-M16 | 18 | | 73 | 98.5 | 130 | 4-M14 | 17.5 | |
| | DA83 | 335 | 268 | | | | | | | | | | | | | | |
| 2 1/2"(65) | SR160 | 410 | 458 | 190 | 50 | 118 | 145 | 185 | 4- ϕ 20 | 20 | | 105 | 139.5 | 180 | 4- ϕ 18 | 22.5 | |
| | DA125 | 363 | 298 | | | | | | | | | | | | | | |
| 3"(80) | SR190 | 458 | 525 | 203 | 65 | 132 | 160 | 200 | 8- ϕ 20 | 20 | | 127 | 152.5 | 190 | 4- ϕ 18 | 24 | |
| | DA140 | 382 | 390 | | | | | | | | | | | | | | |
| 4"(100) | SR210 | 480 | 532 | 229 | 80 | 156 | 180 | 220 | 8- ϕ 22 | 22 | | 157.5 | 190.5 | 230 | 8- ϕ 18 | 24 | |
| | DA140 | 405 | 390 | | | | | | | | | | | | | | |
| 5"(125) | SR240 | 568 | 602 | 254 | 100 | 184 | 210 | 250 | 8- ϕ 22 | 22 | 186 | 216 | 255 | 8- ϕ 22 | 24 | | |
| | DA160/ | 428 | 458 | | | | | | | | | | | | | | |
| 6"(150) | SR270 | 600 | 722 | 267 | 125 | 211 | 240 | 285 | 8- ϕ 24 | 24 | 216 | 241.5 | 280 | 8- ϕ 22 | 25.5 | | |
| | DA190 | 456 | 525 | | | | | | | | | | | | | | |
| 8"(200) | SR270 | 670 | 722 | 292 | 150 | 266 | 295 | 340 | 12- ϕ 24 | 24 | 270 | 298.5 | 345 | 8- ϕ 22 | 29 | | |
| | DA210 | 482 | 532 | | | | | | | | | | | | | | |

表 6-2 PN16、ANSI 150 配 DA (SR) 外形尺寸 (带手轮)

Table 6-2 PN16、ANSI 150 and DA (SR) ACTUATOR COMBIEND (WITH HANDLE)

mm

| 公称通径 Nominal diameter Inch(mm) | 执行机构+ 手动装置 Actuator+ Manual handle | H | B | B2 | M | A | d | PN16(HG20596-97) | | | | | | ANSI150(HG20618-97) | | | | | | |
|---|---|-----|-----|-----|-----|-----|-----|------------------|-----|-----|------------|----|---|---------------------|-----|-------|------------|-----------|------|-----|
| | | | | | | | | G | C | D | n-M n-Φ | T | f | G | C | D | n-M n-Φ | T | f | |
| 1/2"(15) | SR92+ZHJ-1 | 372 | 260 | 180 | 200 | 108 | 15 | 46 | 65 | 95 | 4-M12 | 14 | 2 | 2 | 35 | 60.5 | 90 | 4-M14 | 11.5 | 1.6 |
| | DA75+ZHJ-1 | 352 | 184 | 180 | 200 | | | | | | | | | | | | | | | |
| 3/4"(20) | SR105+ZHJ-2 | 383 | 260 | 180 | 200 | 117 | 20 | 56 | 75 | 105 | 4-M12 | 16 | 2 | 2 | 51 | 79.5 | 110 | 4-M14 | 14.5 | 1.6 |
| | DA83+ZHJ-1 | 359 | 204 | 180 | 200 | | | | | | | | | | | | | | | |
| 1"(25) | SR105+ZHJ-2 | 390 | 260 | 180 | 200 | 127 | 25 | 65 | 85 | 115 | 4-M12 | 16 | 2 | 2 | 73 | 98.5 | 130 | 4-M14 | 17.5 | 1.6 |
| | DA83+ZHJ-1 | 365 | 204 | 180 | 200 | | | | | | | | | | | | | | | |
| 1 1/4"(32) | SR125+ZHJ-2 | 415 | 298 | 180 | 200 | 140 | 32 | 76 | 100 | 140 | 4-M16 | 18 | 2 | 2 | 127 | 152.5 | 190 | 4-Φ 18 | 24 | 1.6 |
| | DA92+ZHJ-1 | 379 | 204 | 180 | 200 | | | | | | | | | | | | | | | |
| 1 1/2"(40) | SR140+ZHJ-4 | 468 | 390 | 220 | 300 | 165 | 40 | 84 | 110 | 150 | 4-M16 | 18 | 2 | 2 | 186 | 216 | 255 | 8-Φ 22 | 24 | 1.6 |
| | DA83+ZHJ-1 | 401 | 268 | 180 | 200 | | | | | | | | | | | | | | | |
| 2 1/2"(65) | SR160+ZHJ-4 | 510 | 458 | 220 | 300 | 190 | 50 | 118 | 145 | 185 | 4-Φ 20 | 20 | 2 | 2 | 216 | 241.5 | 280 | 8-Φ 22 | 25.5 | 1.6 |
| | DA125+ZHJ-2 | 458 | 298 | 180 | 200 | | | | | | | | | | | | | | | |
| 3"(80) | SR190+ZHJ-5 | 568 | 525 | 270 | 400 | 203 | 65 | 132 | 160 | 200 | 8-Φ 20 | 20 | 2 | 2 | 270 | 298.5 | 345 | 8-Φ 22 | 29 | 1.6 |
| | DA140+ZHJ-3 | 477 | 390 | 180 | 200 | | | | | | | | | | | | | | | |
| 4"(100) | SR210+ZHJ-4 | 590 | 532 | 270 | 400 | 229 | 80 | 156 | 180 | 220 | 8-Φ 22 | 22 | 2 | 2 | 186 | 216 | 255 | 8-Φ 22 | 24 | 1.6 |
| | DA140+ZHJ-3 | 500 | 390 | 180 | 200 | | | | | | | | | | | | | | | |
| 5"(125) | SR240+ZHJ-6 | 706 | 602 | 300 | 600 | 254 | 100 | 184 | 210 | 250 | 8-Φ 22 | 22 | 2 | 2 | 216 | 241.5 | 280 | 8-Φ 22 | 25.5 | 1.6 |
| | DA160+ZHJ-3 | 523 | 458 | 180 | 200 | | | | | | | | | | | | | | | |
| 6"(150) | SR270+ZHJ-6 | 738 | 722 | 300 | 600 | 267 | 125 | 211 | 240 | 285 | 8-Φ 24 | 24 | 2 | 2 | 270 | 298.5 | 345 | 8-Φ 22 | 29 | 1.6 |
| | DA190+ZHJ-4 | 556 | 525 | 220 | 300 | | | | | | | | | | | | | | | |
| 8"(200) | SR270+ZHJ-6 | 808 | 722 | 300 | 600 | 292 | 150 | 266 | 295 | 340 | 12-Φ 24 | 24 | 2 | 2 | 270 | 298.5 | 345 | 8-Φ 22 | 29 | 1.6 |
| | DA210+ZHJ-4 | 582 | 532 | 220 | 300 | | | | | | | | | | | | | | | |

表 6-3 PN40、ANSI 300 配 DA (SR) 外形尺寸 (不带手轮)

Table 6-3 PN40, ANSI 300 and DA (SR) ACTUATOR COMBIEND (WITHOUT HANDLE)

mm

| 公称通径 Nominal diameter Inch(mm) | 执行 机构 Actuator | H | B | A | d | PN40(HG20596-97) | | | | | | ANSI300(HG20618-97) | | | | | |
|---|----------------------|-----|-----|-----|----|------------------|-----|-----|-------------------------|----|---|---------------------|-------|-----|-------------------------|------|-----|
| | | | | | | G | C | D | n-M n- \varnothing | T | f | G | C | D | n-M n- \varnothing | T | f |
| 1/2"(15) | SR125 | 325 | 298 | 140 | 15 | 46 | 65 | 95 | 4-M12 | 14 | | 35 | 66.5 | 95 | 4-M14 | 14.5 | |
| | DA92 | 290 | 260 | | | | | | | | | | | | | | |
| 3/4"(20) | SR125 | 350 | 298 | 152 | 20 | 56 | 75 | 105 | 4-M12 | 16 | | 43 | 82.5 | 120 | 4-M16 | 16 | |
| | DA92 | 315 | 298 | | | | | | | | | | | | | | |
| 1"(25) | SR140 | 390 | 390 | 165 | 25 | 65 | 85 | 115 | 4-M12 | 16 | | 51 | 89 | 125 | 4-M16 | 17.5 | |
| | DA105 | 338 | 268 | | | | | | | | | | | | | | |
| 1 1/4"(32) | SR140 | 400 | 390 | 178 | 32 | 76 | 100 | 140 | 4-M16 | 18 | | 63.5 | 98.5 | 135 | 4-M16 | 19.5 | |
| | DA105 | 350 | 268 | | | | | | | | | | | | | | |
| 1 1/2"(40) | SR160 | 410 | 458 | 190 | 40 | 84 | 110 | 150 | 4-M16 | 18 | 2 | 73 | 114.5 | 155 | 4-M20 | 21 | 1.6 |
| | DA125 | 365 | 298 | | | | | | | | | | | | | | |
| 2"(50) | SR160 | 440 | 390 | 216 | 50 | 99 | 125 | 165 | 4-M16 | 20 | | 92 | 127 | 165 | 8-M16 | 22.5 | |
| | DA125 | 397 | 298 | | | | | | | | | | | | | | |
| 2 1/2"(65) | SR210 | 525 | 458 | 241 | 50 | 118 | 145 | 185 | 8- \varnothing 18 | 22 | | 105 | 149 | 190 | 8- \varnothing 22 | 25.5 | |
| | DA140 | 415 | 298 | | | | | | | | | | | | | | |
| 3"(80) | SR240 | 562 | 602 | 283 | 65 | 132 | 160 | 200 | 8- \varnothing 18 | 24 | | 127 | 168.5 | 210 | 8- \varnothing 22 | 29 | |
| | DA160 | 450 | 458 | | | | | | | | | | | | | | |
| 4"(100) | SR240 | 595 | 602 | 305 | 80 | 156 | 190 | 220 | 8- \varnothing 22 | 24 | | 157.5 | 200 | 255 | 8- \varnothing 22 | 32 | |
| | DA160 | 490 | 158 | | | | | | | | | | | | | | |

表 6-4 PN40、ANSI 300 配 DA (SR) 外形尺寸 (带手轮)

Table 6-4 PN40, ANSI 300 and DA (SR) ACTUATOR COMBIEND (WITH HANDLE)

mm

| 公称通径 Nominal diameter Inch(mm) | 执行机构+ 手动装置 Actuator+ Manual handle | H | B | B2 | M | A | d | PN40(HG20596-97) | | | | | | ANSI300(HG20618-97) | | | | | |
|---|--|-----|-----|-----|-----|-----|----|------------------|-----|-----|-------------------------|----|-------|---------------------|-----|------------------------|-------------------------|-----|---|
| | | | | | | | | G | C | D | n-M n- \varnothing | T | f | G | C | D | n-M n- \varnothing | T | f |
| 1/2"(15) | SR125+ZHJ-2 | 420 | 298 | 180 | 200 | 140 | 15 | 46 | 65 | 95 | 4-M12 | 14 | 35 | 66.5 | 95 | 4-M14 | 14.5 | 1.6 | |
| | DA92+ZHJ-1 | 385 | 260 | 180 | 200 | | | | | | | | | | | | | | |
| 3/4"(20) | SR125+ZHJ-2 | 445 | 298 | 180 | 200 | 152 | 20 | 56 | 75 | 105 | 4-M12 | 16 | 43 | 82.5 | 120 | 4-M16 | 16 | 1.6 | |
| | DA92+ZHJ-1 | 410 | 298 | 180 | 200 | | | | | | | | | | | | | | |
| 1"(25) | SR140+ZHJ-4 | 490 | 390 | 220 | 300 | 165 | 25 | 65 | 85 | 115 | 4-M12 | 16 | 51 | 89 | 125 | 4-M16 | 17.5 | 1.6 | |
| | DA105+ZHJ-2 | 433 | 268 | 180 | 200 | | | | | | | | | | | | | | |
| 1¼"(32) | SR140+ZHJ-4 | 500 | 390 | 220 | 300 | 178 | 32 | 76 | 100 | 140 | 4-M16 | 18 | 63.5 | 98.5 | 135 | 4-M16 | 19.5 | 1.6 | |
| | DA105+ZHJ-2 | 445 | 268 | 180 | 200 | | | | | | | | | | | | | | |
| 1½"(40) | SR160+ZHJ-4 | 510 | 458 | 220 | 300 | 190 | 40 | 84 | 110 | 150 | 4-M16 | 18 | 73 | 114.5 | 155 | 4-M20 | 21 | 1.6 | |
| | DA125+ZHJ-2 | 460 | 298 | 180 | 200 | | | | | | | | | | | | | | |
| 2"(50) | SR160+ZHJ-4 | 540 | 390 | 220 | 300 | 216 | 50 | 99 | 125 | 165 | 4-M16 | 20 | 92 | 127 | 165 | 8-M16 | 22.5 | 1.6 | |
| | DA125+ZHJ-2 | 492 | 298 | 180 | 200 | | | | | | | | | | | | | | |
| 2½"(65) | SR210+ZHJ-5 | 635 | 458 | 270 | 400 | 241 | 50 | 118 | 145 | 185 | 8- \varnothing 18 | 22 | 105 | 149 | 190 | 8- \varnothing 22 | 25.5 | 1.6 | |
| | DA140+ZHJ-3 | 510 | 298 | 180 | 200 | | | | | | | | | | | | | | |
| 3"(80) | SR240+ZHJ-6 | 700 | 602 | 300 | 600 | 283 | 65 | 132 | 160 | 200 | 8- \varnothing 18 | 24 | 127 | 168.5 | 210 | 8- \varnothing 22 | 29 | 1.6 | |
| | DA160+ZHJ-3 | 545 | 458 | 180 | 200 | | | | | | | | | | | | | | |
| 4"(100) | SR240+ZHJ-6 | 733 | 602 | 300 | 600 | 305 | 80 | 156 | 190 | 220 | 8- \varnothing 22 | 24 | 157.5 | 200 | 255 | 8- \varnothing 22 | 32 | 1.6 | |
| | DA160+ZHJ-3 | 585 | 158 | 180 | 200 | | | | | | | | | | | | | | |

表 6-5 PN16、ANSI 150 配 EI 外形尺寸

Table 6-5 PN16、ANSI 150 and EI ACTUATOR COMBIEND

mm

| 公称通径 Nominal diameter Inch(mm) | d | A | H | B | PN16(HG20596-97) | | | | | | ANSI150(HG20618-97) | | | | | |
|---|-----|-----|-----|-----|------------------|-----|-----|-------------------------|----|---|---------------------|-------|-----|-------------------------|------|-----|
| | | | | | G | C | D | n-M n- \varnothing | T | f | G | C | D | n-M n- \varnothing | T | f |
| 1/2"(15) | 15 | 108 | 420 | 258 | 46 | 65 | 95 | 4-M12 | 14 | 2 | 35 | 60.5 | 90 | 4-M14 | 11.5 | 1.6 |
| 3/4"(20) | 20 | 117 | 425 | 258 | 56 | 75 | 105 | 4-M12 | 16 | | 43 | 70 | 100 | 4-M14 | 13 | |
| 1"(25) | 25 | 127 | 435 | 258 | 65 | 85 | 115 | 4-M12 | 16 | | 51 | 79.5 | 110 | 4-M14 | 14.5 | |
| 1¼"(32) | 32 | 140 | 480 | 338 | 76 | 100 | 140 | 4-M16 | 18 | | 63.5 | 89 | 120 | 4-M14 | 16 | |
| 1½"(40) | 40 | 165 | 485 | 338 | 84 | 110 | 150 | 4-M16 | 18 | | 73 | 98.5 | 130 | 4-M14 | 17.5 | |
| 2"(50) | 50 | 178 | 500 | 338 | 99 | 125 | 165 | 4-M16 | 20 | | 92 | 120.5 | 150 | 4-M16 | 19.5 | |
| 2½"(65) | 50 | 190 | 510 | 338 | 118 | 145 | 185 | 4- \varnothing 20 | 20 | | 105 | 139.5 | 180 | 4- \varnothing 18 | 22.5 | |
| 3"(80) | 65 | 203 | 540 | 357 | 132 | 160 | 200 | 8- \varnothing 20 | 20 | | 127 | 152.5 | 190 | 4- \varnothing 18 | 24 | |
| 4"(100) | 80 | 229 | 550 | 357 | 156 | 180 | 220 | 8- \varnothing 22 | 22 | | 157.5 | 190.5 | 230 | 8- \varnothing 18 | 24 | |
| 5"(125) | 100 | 254 | 590 | 380 | 184 | 210 | 250 | 8- \varnothing 22 | 22 | | 186 | 216 | 255 | 8- \varnothing 22 | 24 | |
| 6"(150) | 125 | 267 | 610 | 380 | 211 | 240 | 285 | 8- \varnothing 24 | 24 | | 216 | 241.5 | 280 | 8- \varnothing 22 | 25.5 | |
| 8"(200) | 150 | 292 | 640 | 380 | 266 | 295 | 340 | 12- \varnothing 24 | 24 | | 270 | 298.5 | 345 | 8- \varnothing 22 | 29 | |

表 6-6 PN40、ANSI 300 配 EI 外形尺寸

Table 6-6 PN40、ANSI 300 and EI ACTUATOR COMBIEND

mm

| 公称通径 Nominal diameter Inch(mm) | d | A | H | B | PN40(HG20596-97) | | | | | | ANSI300(HG20618-97) | | | | | |
|---|----|-----|-----|-----|------------------|-----|-----|-------------------------|----|---|---------------------|-------|-----|-------------------------|------|-----|
| | | | | | G | C | D | n-M n- \varnothing | T | f | G | C | D | n-M n- \varnothing | T | f |
| 1/2"(15) | 15 | 140 | 420 | 258 | 46 | 65 | 95 | 4-M12 | 14 | 2 | 35 | 66.5 | 95 | 4-M14 | 14.5 | 1.6 |
| 3/4"(20) | 20 | 152 | 425 | 338 | 56 | 75 | 105 | 4-M12 | 16 | | 43 | 82.5 | 120 | 4-M16 | 16 | |
| 1"(25) | 25 | 165 | 470 | 338 | 65 | 85 | 115 | 4-M12 | 16 | | 51 | 89 | 125 | 4-M16 | 17.5 | |
| 1¼"(32) | 32 | 178 | 510 | 338 | 76 | 100 | 140 | 4-M16 | 18 | | 63.5 | 98.5 | 135 | 4-M16 | 19.5 | |
| 1½"(40) | 40 | 190 | 515 | 357 | 84 | 110 | 150 | 4-M16 | 18 | | 73 | 114.5 | 155 | 4-M20 | 21 | |
| 2"(50) | 50 | 216 | 520 | 357 | 99 | 125 | 165 | 4-M16 | 20 | | 92 | 127 | 165 | 8-M16 | 22.5 | |
| 2½"(65) | 50 | 241 | 530 | 357 | 118 | 145 | 185 | 8- \varnothing 18 | 22 | | 105 | 149 | 190 | 8- \varnothing 22 | 25.5 | |
| 3"(80) | 65 | 283 | 550 | 357 | 132 | 160 | 200 | 8- \varnothing 18 | 24 | | 127 | 168.5 | 210 | 8- \varnothing 22 | 29 | |
| 4"(100) | 80 | 305 | 580 | 380 | 156 | 190 | 220 | 8- \varnothing 22 | 24 | | 157.5 | 200 | 255 | 8- \varnothing 22 | 32 | |

重量 WEIGHT

kg

| 公称通径 Nominal diameter Inch(mm) | PN1.6MPa, ANSI150 | | | | PN4.0MPa, ANSI300 | | | |
|---|------------------------------|--------------|-----------------------------|--------------|------------------------------|--------------|-----------------------------|--------------|
| | 气动执行机构 Pneumatic actuator | 重量 Weight | 电动执行机构 Electric actuator | 重量 Weight | 气动执行机构 Pneumatic actuator | 重量 Weight | 电动执行机构 Electric actuator | 重量 Weight |
| 1/2"(15) | SR083 | 6.5 | EI010 | 10 | SR125 | 13.6 | EI010 | 10.5 |
| | DA075 | 5.6 | | | DA083 | 6.6 | | |
| | | | | | DA092 | 8.1 | | |
| 3/4"(20) | SR105 | 10.5 | EI010 | 10.5 | SR125 | 14.2 | EI016 | 19.5 |
| | DA075 | 6.5 | | | DA083 | 7.2 | | |
| | DA083 | 6.5 | | | DA092 | 8.7 | | |
| 1"(25) | SR105 | 11.5 | EI010 | 11.5 | SR140 | 20.2 | EI025 | 20.5 |
| | DA075 | 7 | | | DA105 | 12 | | |
| | DA083 | 7.4 | | | | | | |
| 1¼"(32) | SR125 | 17 | EI016 | 22 | SR140 | 23.2 | EI025 | 23.5 |
| | DA083 | 10 | | | DA105 | 15 | | |
| | DA092 | 11.5 | | | | | | |
| 1½"(40) | SR140 | 24.5 | EI016 | 24.5 | SR160 | 35.3 | EI035 | 31.5 |
| | DA105 | 16.5 | | | DA125 | 20.2 | | |
| 2"(50) | SR140 | 28 | EI025 | 28 | SR160 | 39.1 | EI050 | 35.5 |
| | DA105 | 19.5 | | | DA125 | 24 | | |
| 2½"(65) | SR160 | 39 | EI025 | 30 | SR210 | 72.9 | EI050 | 38 |
| | DA125 | 24 | | | DA140 | 30.9 | | |
| 3"(80) | SR210 | 78 | EI035 | 42.5 | SR270 | 144.8 | EI050 | 47 |
| | SR190 | 58 | | | SR240 | 106.8 | | |
| | DA140 | 36 | | | DA160 | 46.8 | | |
| 4"(100) | SR210 | 85 | EI050 | 50 | SR270 | 154 | EI080 | 61 |
| | DA140 | 43 | | | SR240 | 116 | | |
| | | | | | DA160 | 56 | | |
| 5"(125) | SR270 | 159 | EI080 | 66 | | | | |
| | SR240 | 121 | | | | | | |
| | DA160 | 61 | | | | | | |
| 6"(150) | SR270 | 172 | EI080 | 79 | | | | |
| | DA210 | 101 | | | | | | |
| | DA190 | 85 | | | | | | |
| 8"(200) | SR270 | 194 | EI120 | 101 | | | | |
| | DA210 | 123 | | | | | | |