

KTS

行程开关

LIMIT SWITCH BOX



KTS 行程开关

概要:

KTS 行程开关适用于调节式或开关式阀门上,可以在危险场合使用,外型设计紧凑、坚固,符合 GB3836-2000 标准。防爆等级 Exd II BT4/CT6,防护等级 IP67。壳体材料为压铸铝合金,内置快换凸轮设置方便,并内置不同的开关形式:机械式、接近式(P&F),具有可视阀位指示,简单清楚,上盖安装用防脱不锈钢螺栓。行程开关与执行机构的连接符合 NUMA 连接标准。

KTS Limit Switch Box

GENERAL

KTS Limit Switch Box, commonly fitted on control valve or on/off valve, can be applicable to dangerous place. Special design of structure, complying with GB3836-2000 standard, makes the switch compact, firm. The shell is made of die-casting aluminium. A quickly exchanged cam which can be set easily is placed in the shell. It has several functions such as mechanical type and . approach type (P&F). Plug position is clearly and simply showed on the switch. The upper cover is anchored on the body by loose-proof stainless steel bolts. The connection between the switch and actuator commplies with NUMA standard.



技术参数

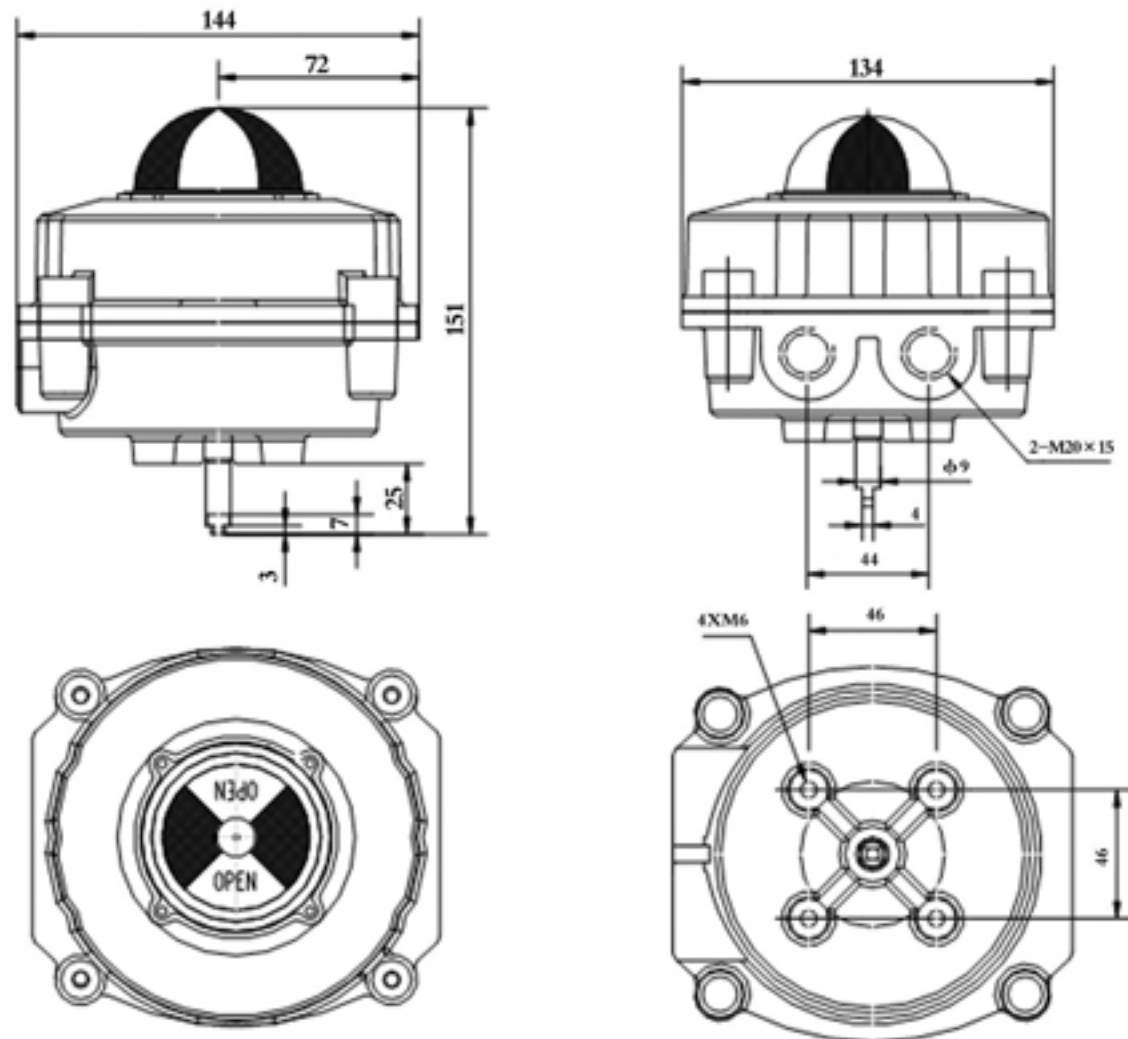
防爆等级 Enclosure Protection	隔爆型:Exd II BT4 & Exd II CT6 ,本安型: Exia II CT6
防护等级 IP Degree	IP67
外层 External Coating	外部粉末涂层,表面硬质氧化处理,防腐蚀
区域/气体组别	Zone1, 2/ Exd II B(C)T6, Zone0, 1, 2/ Exia II CT6
电气接口 Conduit Entry	2-M20X1.5, 2-G1/2, 2-NPT1/2"
端子排 Terminal Block	8 个接线端子 Eight terminal points(6 个限位开关用 Six points is use limit switches, 2 个电磁阀备用 Two points is use solenoid valve)
指示器 Indicator	0-90° ,黄 - 开 / 红 - 关 Yellow-Open/Red-Close, 圆顶指示 Visial position indicatr
开关 Switches	机械式开关 Mechanical switch: 2-SPDT(单刀双掷)或 4-SPDT(双刀双掷);感应式开关 Proximity switch: NJ2-V3-N(两个 two);位置反馈单元 Poistion feedback: 4~20mA
支架 Bracket	NAMUR 连接标准 Connection standard
环境温度 Ambient Temp	-20℃ ≤ Ta ≤ 85℃

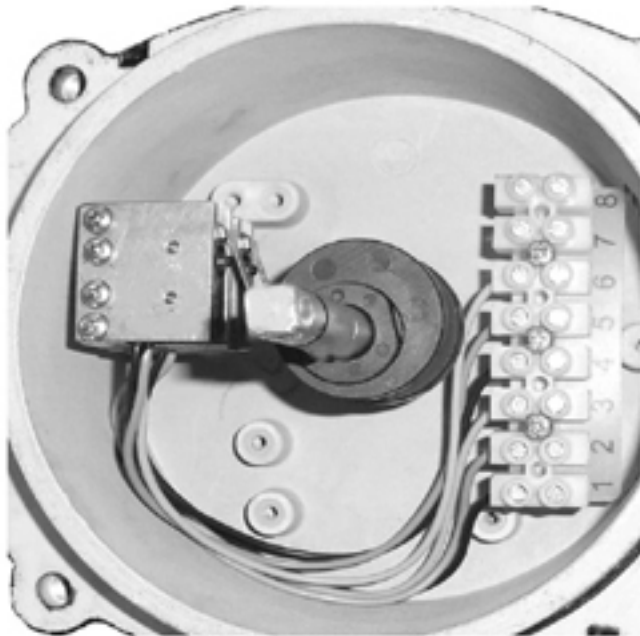
订货代号 CODE NO

KTS-					
结构形式 Structure Type	1				气候防护型 Weather proof type: IP66
	2				隔爆型 Explosion proof type: Eexd II BT4
	3				隔爆型 Explosion proof type: Eexd II CT6
	4				本质安全型 Intrinsically safe explosion proof type: Exia II CT6
开关类型 Switch Kind	10				2-SPDT
	11				4-SPDT
	20				P&F NJ2-V3-N
	30				2-SPDT+ 阀位反馈
与执行安装尺寸 Mounting Size	A				30 × 80 × 20
	B				30 × 80 × 30
	C				30 × 130 × 30
电气接口 Electial Connection	1				M20X1.5 标准配置 Standard Connection
	2				M22X1.5
	3				G1/2
	4				NPT1/2
特殊要求 Special requirements	1				标准型 Standard
	2				特殊 Special

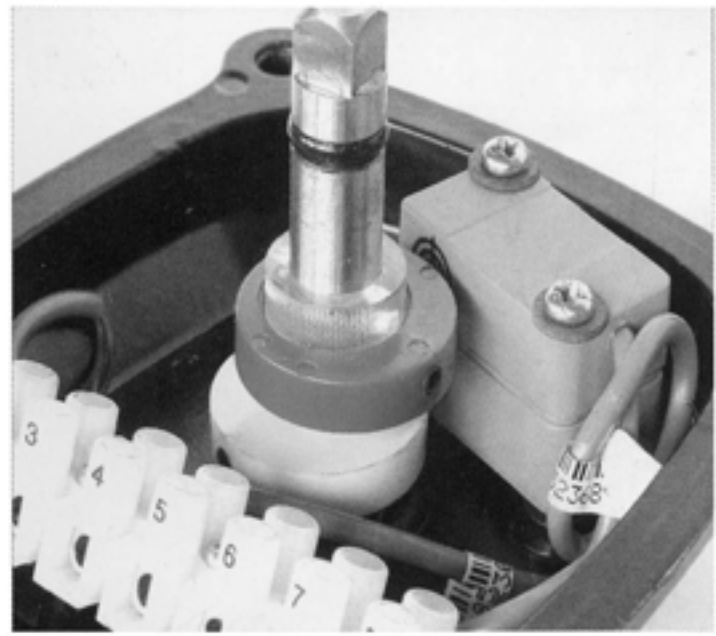
备注:本质安全型行程开关型号只能为 KTS-420XXX

安装尺寸图 Mounting Size

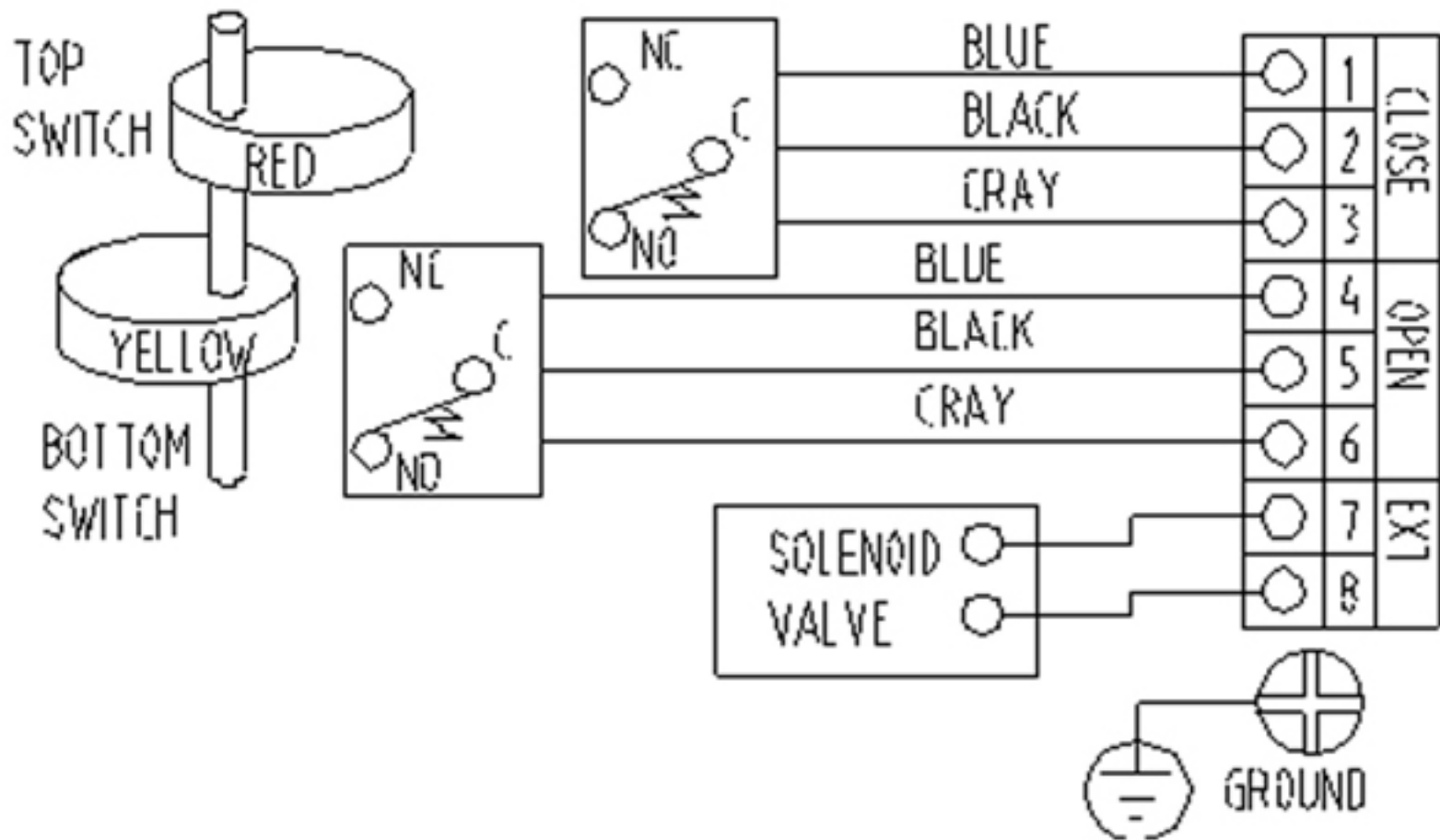


内部结构 Internal Structure


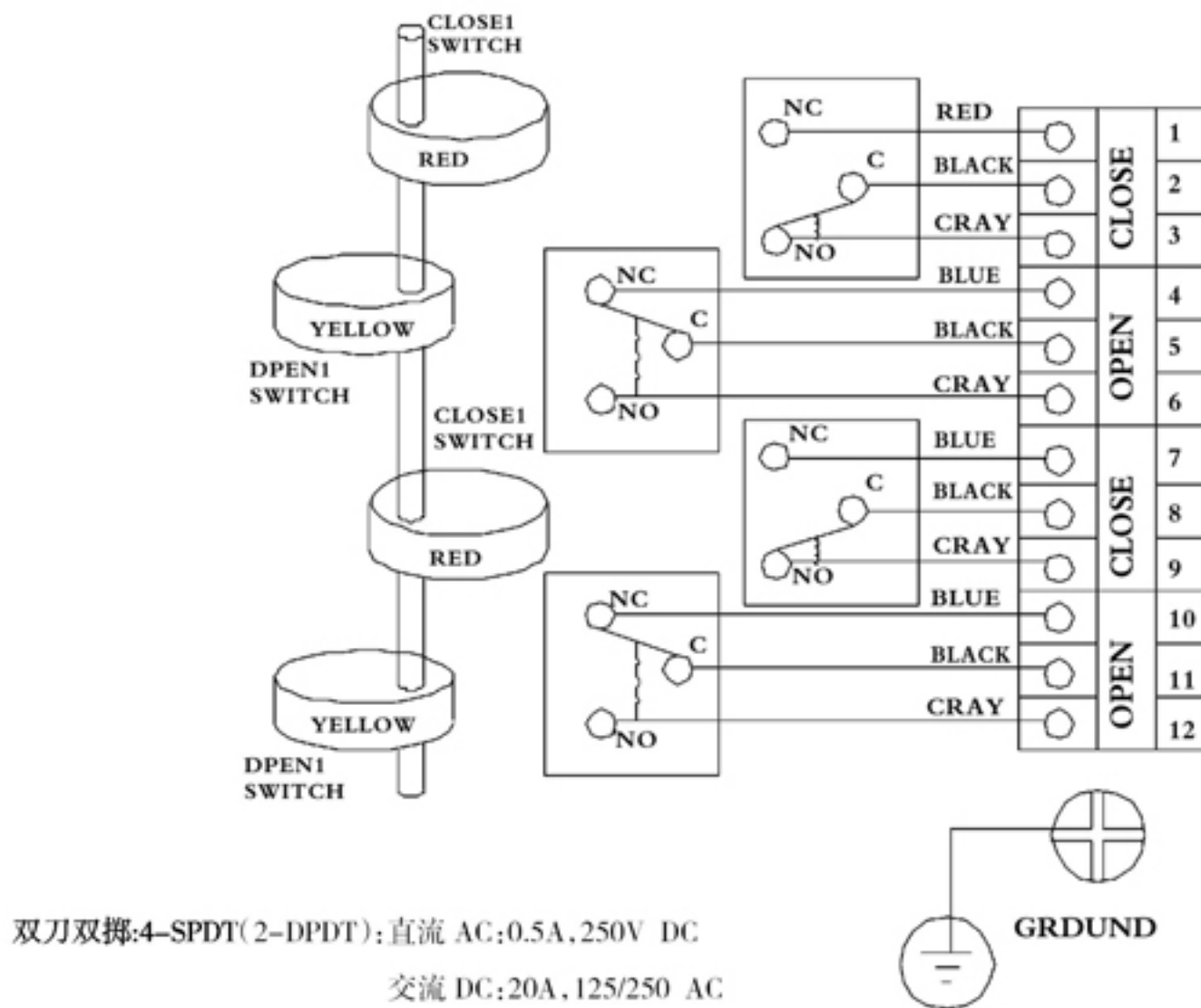
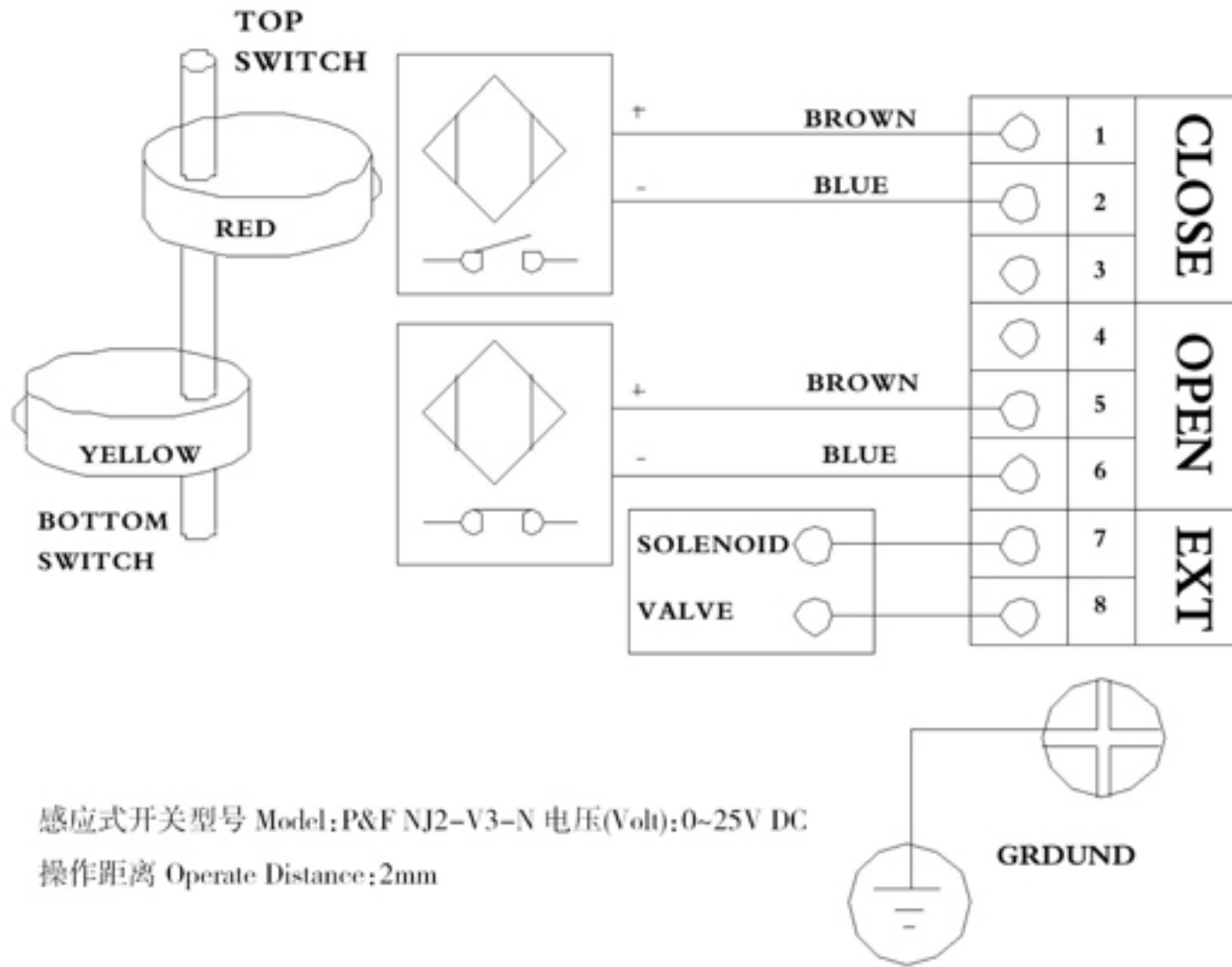
机械式开关:2-SPDT 单刀双掷
Mechanical Switch:2-SPDT 单刀双掷

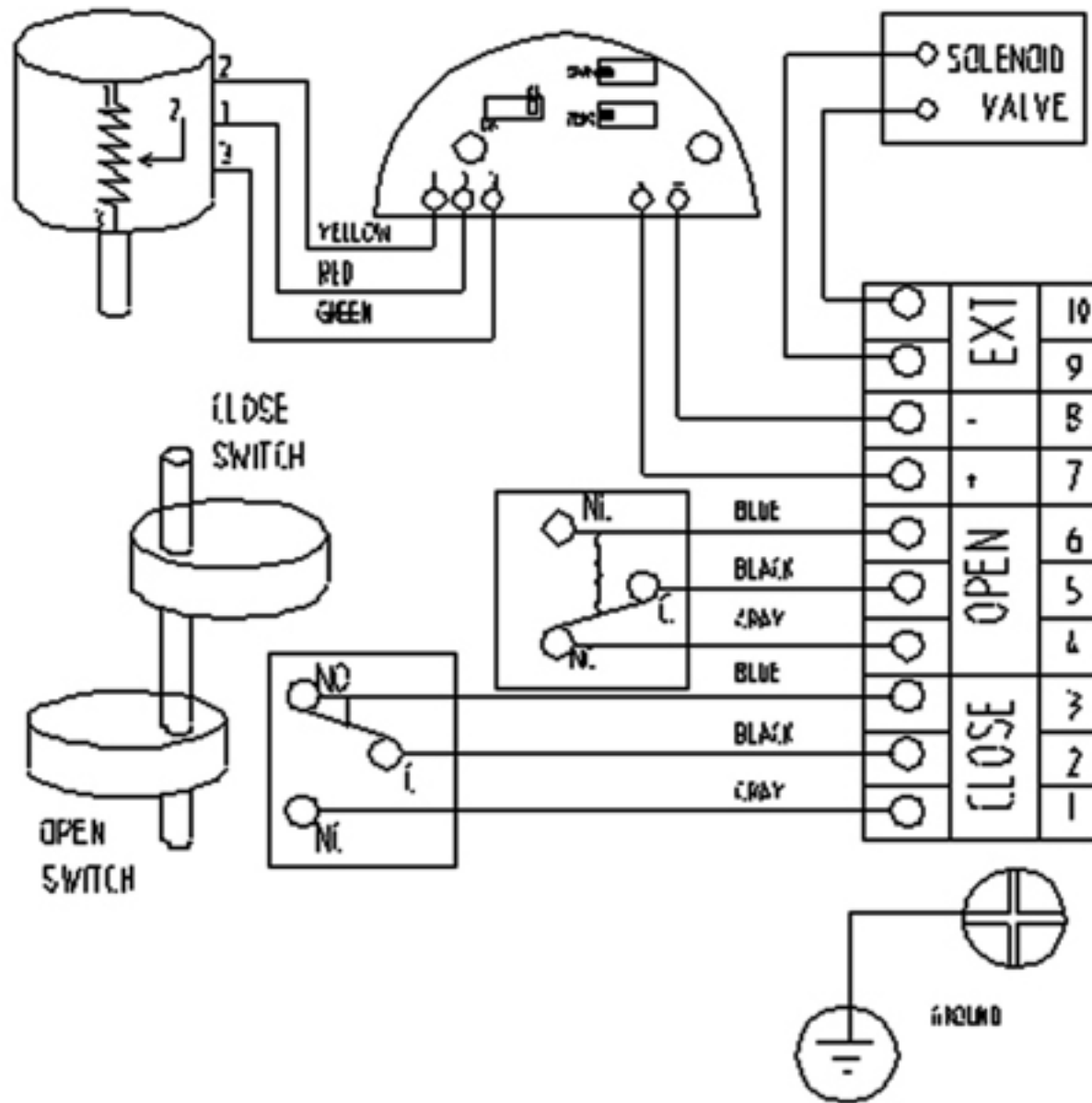


感应式开关:P&F NJ2_V3_N
Proximity Sensors:P&F NJ2_V3_N

电气接线 Electric Connection


机械式开关 Mechanical switch:2-SPDT 直流 DC:0.6A,125V
交流 AC:16A,250V





单刀双掷 + 电流反馈: 2-SPDT + Current feedback, 电流 Current: 4~20mA

VER.WY-0901-F-KTS

50年控制阀制造经验
QUALITY SINCE 1959

宁夏吴忠仪表公司
Ningxia Wuzhong Instrument Co., LTD.
地址：宁夏吴忠市朝阳街67号 邮编：751100
Tel:0953-3929024 Fax:3929014
[http:// www.wzyb.com.cn](http://www.wzyb.com.cn)