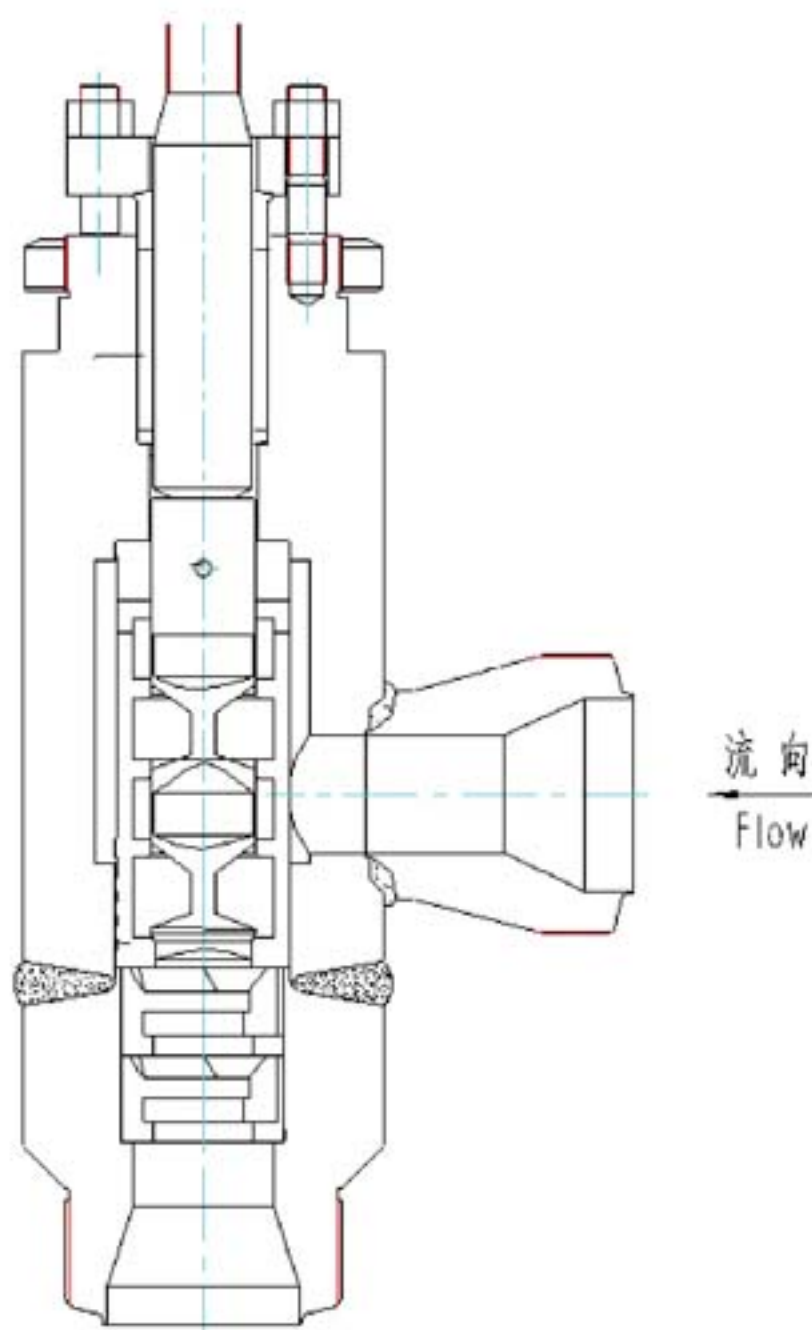


HTG

锅炉事故防水阀

BOILER EMERGENCY DRAIN
CONTROL VALVE



HTG 锅炉事故放水阀

HTG BOILER EMERGENCY DRAIN CONTROL VALVE

概要:

HTG 锅炉事故放水阀是一种防空化串级式多级节流高压差调节阀,也是一种结构新颖的调节阀。该阀可用于大、中型发电机组,控制锅炉汽包液位在规定的范围之内,它是火力发电厂关键阀门之一。

HTG 锅炉事故放水阀的流体通过弯弯曲曲的通道,目的是消耗流体能量,降低流速,防止液体空化,它具有下列优点:

- 1、流体逐级降压,流向不断改变,增加流阻,控制流速,防止空化破坏。允许压差 25MPa。
- 2、多级节流,以减少流体对阀芯表面冲刷磨蚀。
- 3、节流面与密封面分开,阀芯和阀芯套表面硬化处理,硬度达到 HRC70 左右,关闭严密,寿命长。
- 4、阀芯表面开有大缺口,流体含有 2~3mm 焊渣等固体颗粒,阀芯也不会卡死,动作灵活,检修方便。

该阀与管道连接有两种结构型式:一种是 "Z" 型,另一种是角型,该阀通常是角型,可配气动执行机构或电动执行机构;也可手动,当作高压差截止阀使用。该阀也可用于石油、化工系统,控制高压差流体。

General

HTG control valve is characterized by anti-cavitation multi-stage throttling for high differential pressure. It is engineered specially for heat power station. It is suitable for applications of large scale electric generating set to control liquid level of boiler steam within specified range. In addition, it is a key control valve in thermal power plant.

The Control valve has following advantages:

- 1.The multi-stage underpressure controls velocity of flow and prevents from cavitating by forcing the process fluid to follow a tortuous path. The allowance psid is within 25MPa.
- 2.The multi-stage throttling
- 3.Throttling surface, sealing surface are separated, and surface of the plug and throttling parts are hardened up to HRC70. So the valve can provide longer service life and tighter shutoff performance.
4. There are the big nicks on the surface of the plug. Even through there is 2 or 3 mm solid grain like weld dregs, the plug will not be choked and its action is flexible.

本体部 BODY

阀体型式 Body type	锻造角型、“Z”型 Forging angle type, "Z" type
公称通径 Body size	DN50、DN100(2"、4")
阀体材质 Body & Bonnet Material	20# 锻钢 20# forging carbon
阀芯形状 Plug form	防空化串级式节流阀芯 Anti-cavitation concatenation throttling plug
阀内件材质 Trim materials 阀内件处理 Trim treatment	9Cr18MoV 或不锈钢材料 9Cr18MoV or Stainless steel 渗氮硬化处理 NT = Nitriding Treatment
公称压力 Body ratings	HG20592 PN25、32MPa; ANSI B16.5 ANSI1500、ANSI2500
连接方式 Body connections	焊接式 BW 或按用户要求 Welded ends BW or According to client's requirement.
上阀盖形式 Bonnet type	标准型 Standard type: ≤420℃
填料 Packing	石墨加因科镍丝编织填料 Graphite Inco nickel weave packing
表面涂层 Painting color	阀体喷银色环氧树脂 Argentate munsell on carbon steel

执行机构 ACTUATOR

规格 Specification	形式 Type	电动式 Electric Motor type
		SIPOS 5 Flash
用途 Purpose		开关 on-off
供气压力或供给电压 Air supply or Power supply		供电电源:380V 50Hz Power supply 输入信号:4~20mA Input signal
接口 Connection		进出线口:M25X1.5(2个) Conduit entry
正作用 Direct action		输入信号增加阀闭 Signal increase to valve shut
反作用 Reverse action		输入信号增加阀开 Signal increase to valve open
滞后 Hysteresis		≤0.8%
线性 Linearity		≤±1%
允许环境温度 Ambient Temp		-20℃~+60℃
标准涂层色 Painting		中国蓝 China blue
选购设备 Option		限位开关 Limit switch

性能 PERFORMANCE

额定 Kv 值及行程 Rated Kv and stroke	请参见表 1 See Table 1
流量特性 Flow characteristics	开关两位式 ON-OFF
阀座泄漏量 Seat leakage	符合 ANSI B16.104-1976 IV 级 According to ANSI B16.104-1976 Class IV
允许压差 Allowable pressure drops	23MPa

表 1.Kv 值和行程

公称通径	50	100
公称压力 PN (MPa)	ANSI1500、2500 或(or)PN25、32MPa	
Kv 值	11	17
行程(mm)	20	25
连接管道	φ 76X10	φ 133X18

图 1.本体部构造 Fig.1 BODY SECTION VIEW

"Z" 型阀阀体结构组件图同 HTC

"Z" type valve structure subassembly drawing is as same as HTC.

角型阀阀体组件结构组件图如下图所示:

Angel valve structure subassembly drawing following figure.

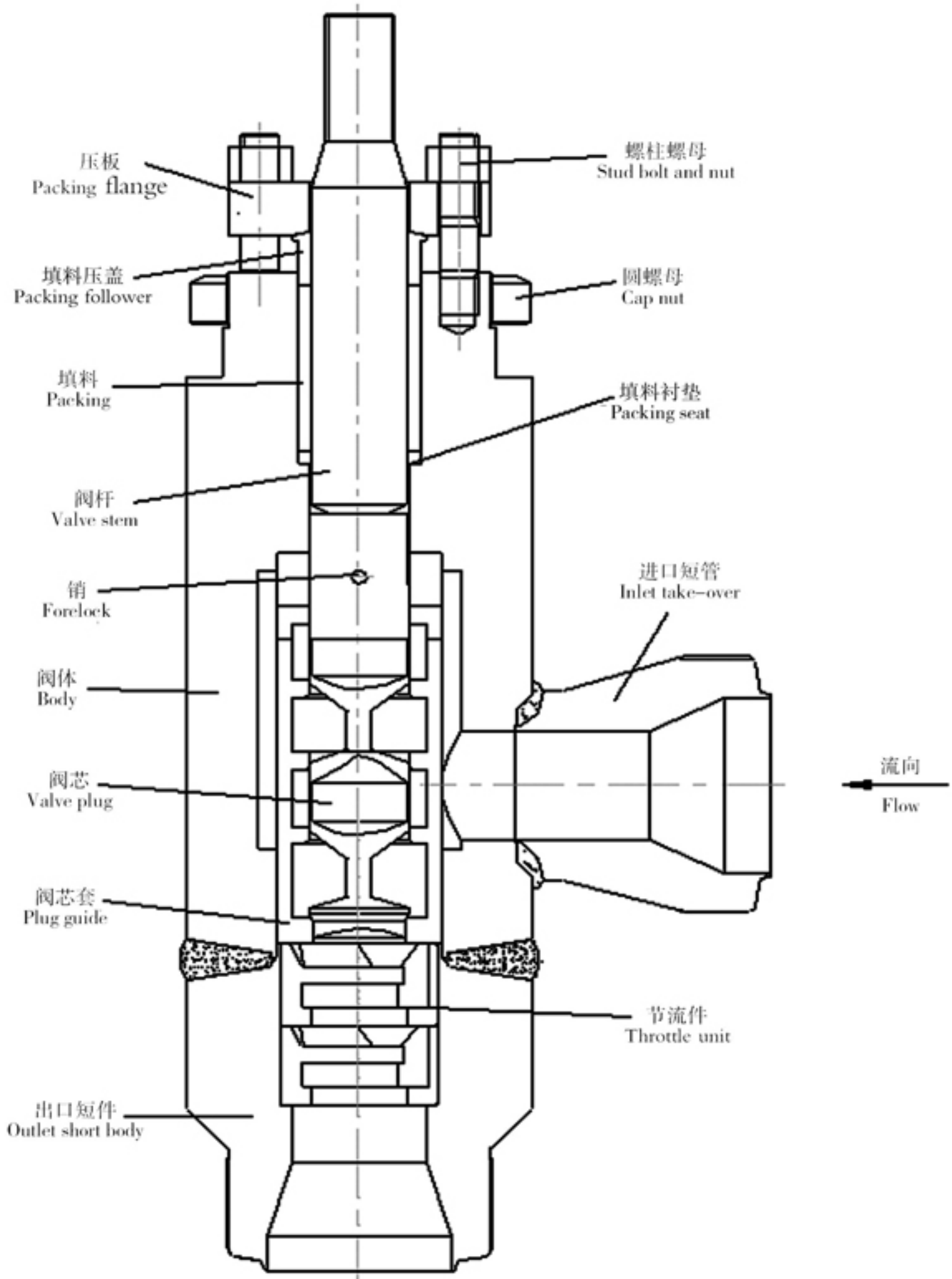


图 2.配 SIPOS 5 Flash 电动执行机构外形图

Fig.2 Outline with SIPOS 5 Flash electric moto

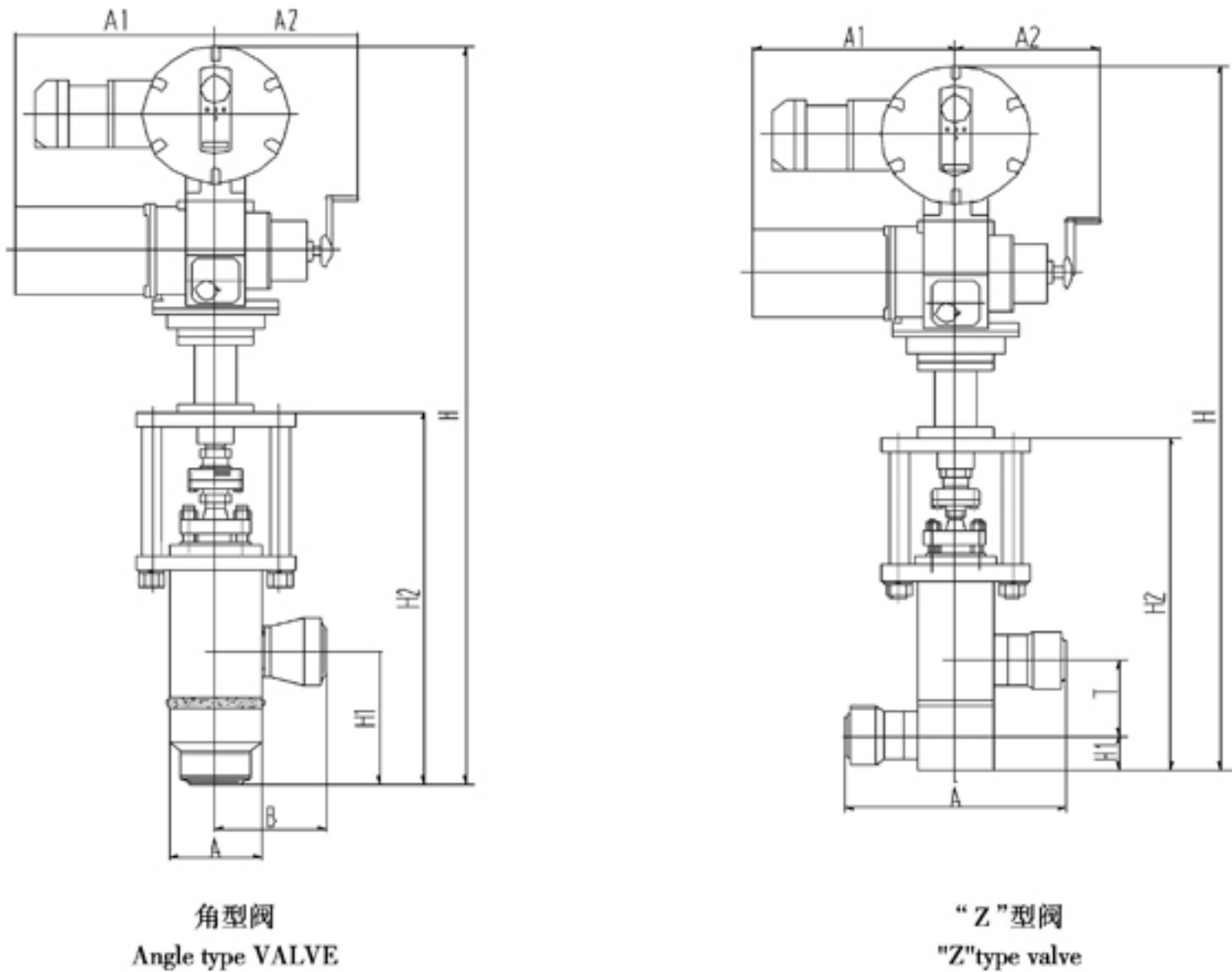


表 2 外形尺寸 Table 2 OUTLINE

表 2.1 角型阀外形尺寸表 (单位:mm)

Table 2.1 outline of the angle type valve (UNIT:mm)

公称 通径(mm) Body Size	公称 压力(MPa) Body Ratings	电动执行机构 Electric Motor SIPOS 5 Flash	A	B	H1	H2	H	A1	A2
DN50	PN32MPa	LE70.1	150	201	255	750	1539	325	235
DN100	PN32MPa	LE100.1	182	217	278	824	1826	400	335

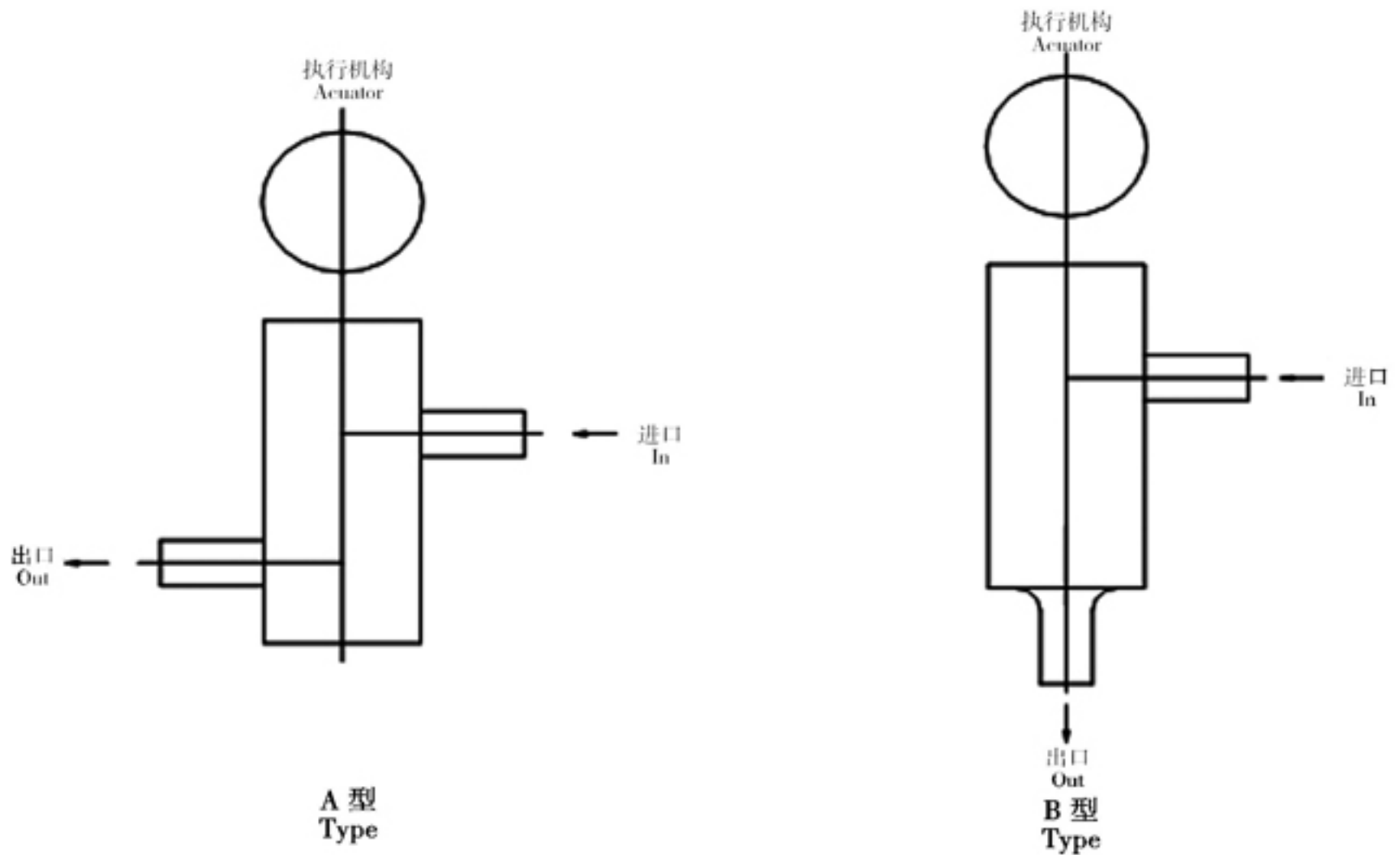
表 2.2 "Z" 型阀外形尺寸表(单位:mm)

Table 2.2 outline of the "Z" type valve (UNIT:mm)

公称 通径(mm) Body Size	公称 压力(MPa) Body Ratings	电动执行机构 Electric Motor SIPOS 5 Flash	A	T	H1	H2	H	A1	A2
DN50	PN32MPa	LE70.1	402	178	70	743	1532	325	235
DN100	PN32MPa	LE100.1	434	183	75	814	1816	400	335

图 3.调节阀安装位置

Fig. 3. MOUNTING FORMS FOR THE CONTROL VALVE



50年控制阀制造经验
QUALITY SINCE 1959

宁夏吴忠仪表公司
Ningxia Wuzhong Instrument Co., LTD.
地址：宁夏吴忠市朝阳街67号 邮编：751100
Tel:0953-3929024 Fax:3929014
[http:// www.wzyb.com.cn](http://www.wzyb.com.cn)