

PSQ

PS Automation 
Gesellschaft für Antriebstechnik

We care for actuation.

The robust quarter-turn actuator up to 1000 Nm

All common power supplies:
single phase, 3-phase and DC voltage.
Suitable for control operations.
Protection class IP67 as standard,
protection class IP68 is optional

Visible from a
distance: mechanical
position indicator

Synchronous
or brake motors
with fast stop
for accurate
positioning

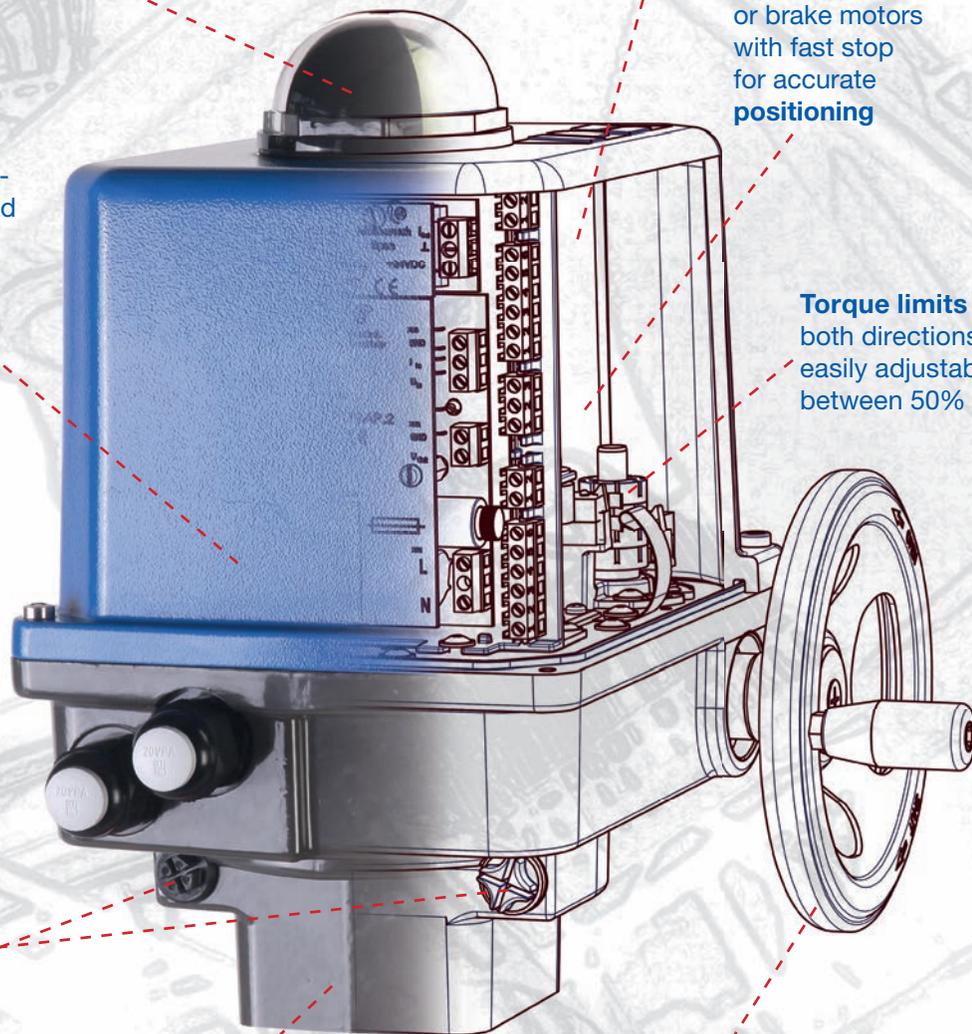
Compact, corrosion-
resistant, robust and
lightweight
manufactured from
high-quality
aluminum alloys

Torque limits in
both directions
easily adjustable
between 50% and 100%

Covered
**mechanical limit
stops** which can be
set in a range of $\pm 5^\circ$

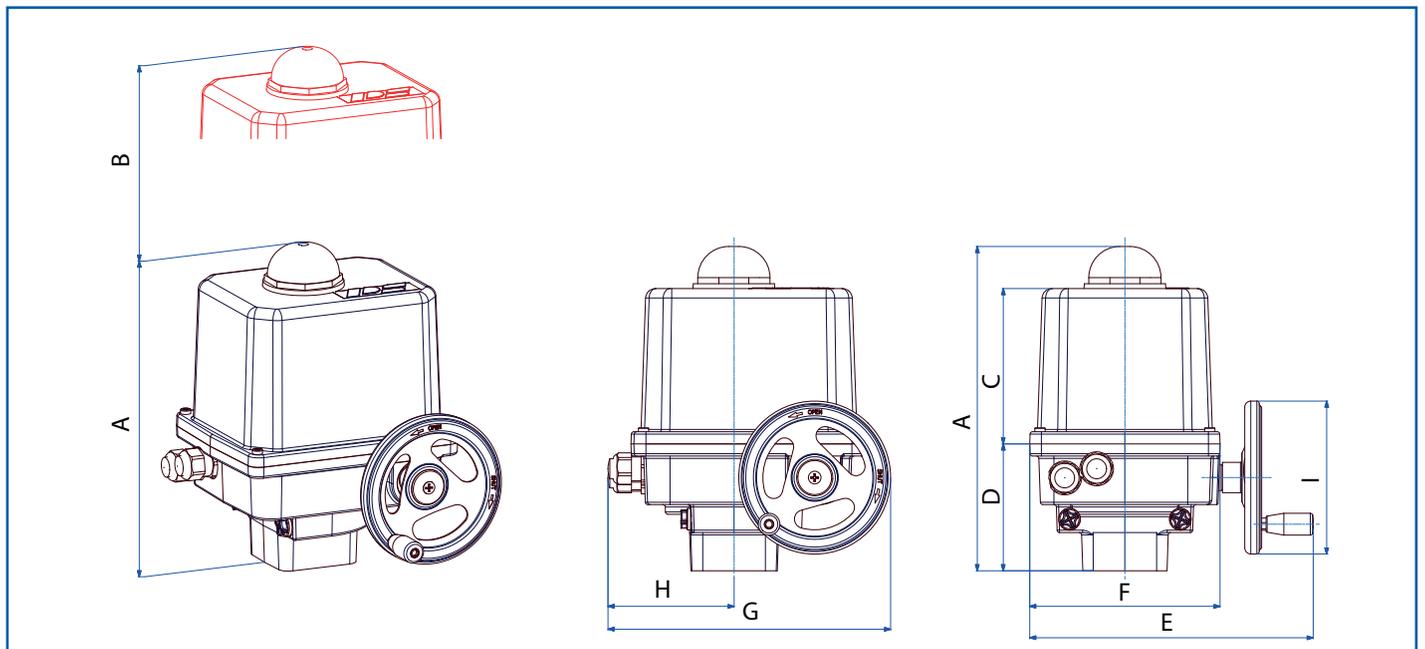
ISO 5211 valve connector
and interchangeable drive
bushing made from sintered
metal for fast mounting

No switching over to manual operation
needed. **The hand wheel** does not
rotate during normal operation but is
always ready for use



Technical Data

PSQ		PSQ103	PSQ103 150 Nm	PSQ203	PSQ203 300 Nm	PSQ503	PSQ503 600 Nm	PSQ703	PSQ1003
Switching torque	Nm	130	150	250	300	500	600	700	1000
Modulating torque	Nm	65	75	125	150	250	300	350	500
Angle of rotation	°	90 ± 5							
Handwheel turns	/90°	18							
Valve flange acc. to ISO 5211		F05+F07	F05+F07	F07+F10	F07+F10	F10 or F12	F10 or F12	F10 or F12	F12 or F14
Enclosure acc. to EN 60529		IP67							
Ambient temperature	°C	-20 to +80°C, control operations up to +60°C							
Weight	kg	7	7	11	11	27	27	27	27
Operating time/90°	s	8 - 57	32	20 - 69	69	29 - 93	93	29 - 93	29 - 93
Power supply	V	230 VAC 1~ 115 VAC 1~ 24 VAC 24 VDC 400 VAC 3~							



Dimensions	A	B	C	D	E	F	G	H	I
PSQ103	267	161	128	104,5	237	158	241	111	125
PSQ203	355	228	194	122,5	307	185	289	109	200
PSQ503/703	416	240	198	171,5	358	235	337	128	200
PSQ1003	416	240	198	171,5	289	235	362	128	250

PS Automation GmbH Gesellschaft für Antriebstechnik

Philipp-Krämer-Ring 13 • D-67098 Bad Dürkheim
Tel.: +49 (0) 63 22-60 03-0 • Fax: +49 (0) 63 22-60 03-20
info@ps-automation.com • www.ps-automation.com

Engineered and Made in Germany

