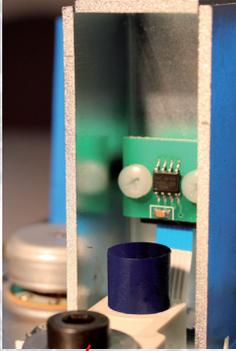


# PSF

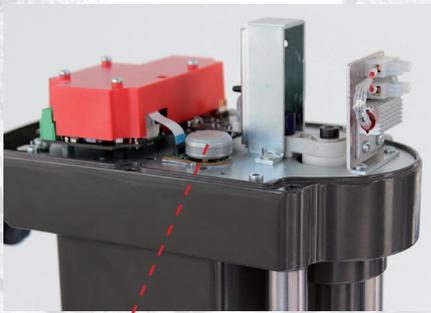
PS Automation   
Gesellschaft für Antriebstechnik

*We care for actuation.*

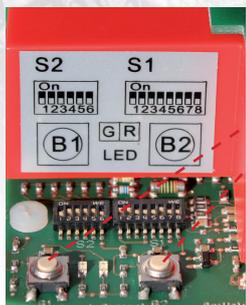
## The linear actuator with mechanical fail safe function



Contactless, non-wearing travel detection with Hall sensor for exact positioning



Brushless DC motor (BLDC).  
Controller with integrated positioner function.  
Status display and automatic commissioning

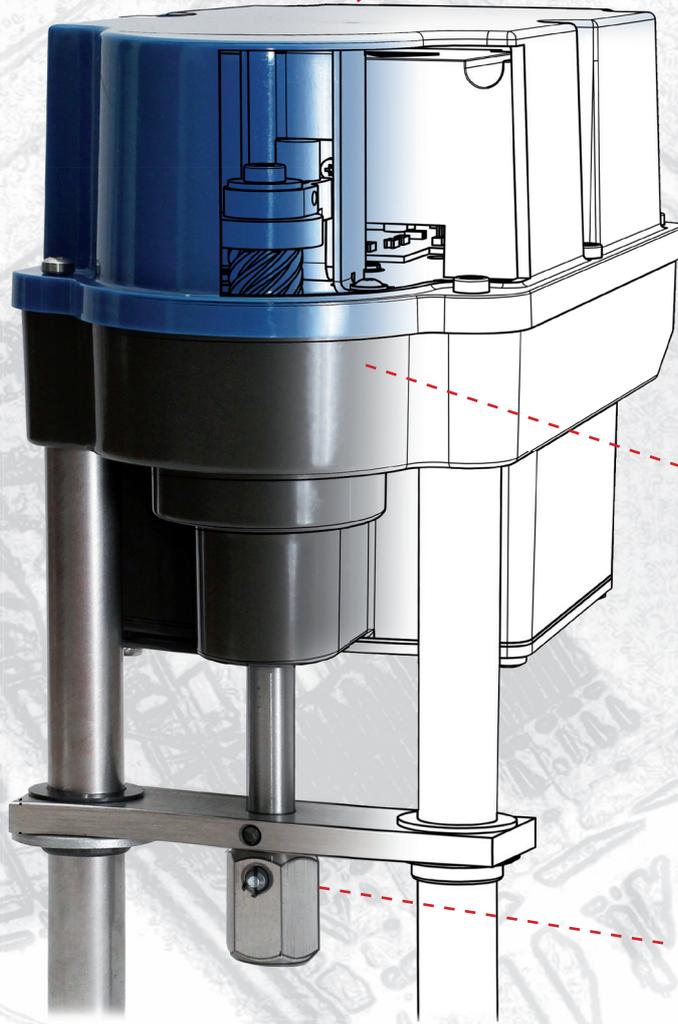


Manual operation with push buttons.  
Parameter setting via DIP switches



Integrated power spring for fail safe function in case of loss of power supply, either extending or retracting actuator stem

Robust industrial design with polycarbonate cover, enclosure IP65 (IP67 optional)



Compact design with low installation height, durable aluminium gearbox

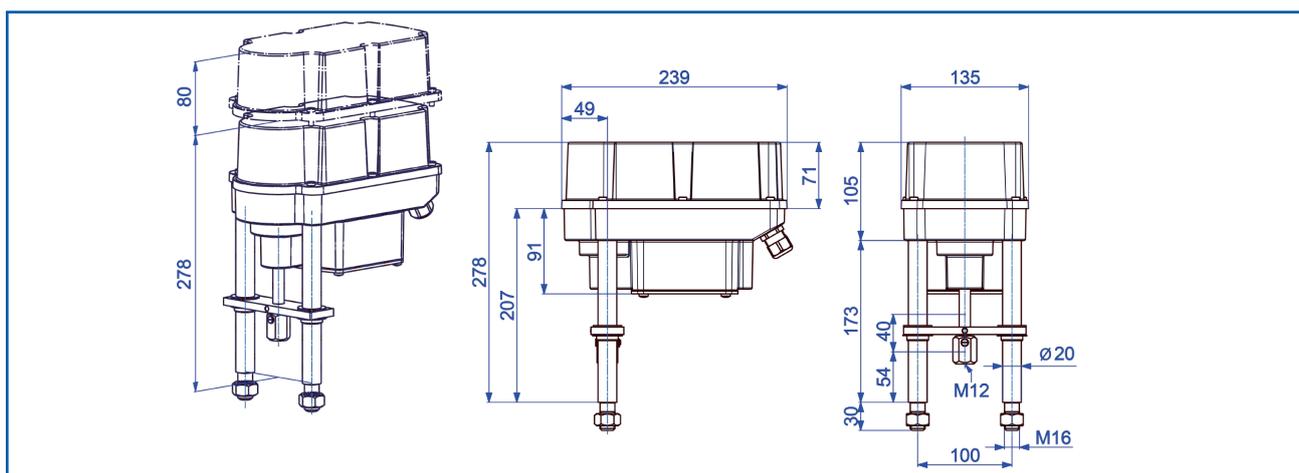
Easy valve mounting

# PSF

## Technical Data

		PSF401	PSF402
Thrust	kN	1	2
Stroke	mm	max. 40	
Pillar distance	mm	100	
Manual override		electrically via 2 push buttons	
Weight approx.	kg	5.6	
Velocity	mm/s	0.3	
Power supply		24 VAC/DC, optionally wide range power supply (100 - 240 VAC)	
Motor protection		Electronic motor current monitoring with safety cut-off	
Duty cycle as per IEC 60034-1,8		S2 30 min / S4 1200c/h - 50% ED	
Permitted ambient temperature		-10 to +60°C	
Internal fault monitoring		Thrust, set value, temperature, power supply	
Binary control		24 - 230 VAC for ON/OFF service	
Set value and feedback		0-20 mA, 4-20 mA, 0-10 V, 2-10 V selectable	
Mounting position		Any position, except cover pointing downwards	
Conduit entries		2 pcs. M 20 x 1.5 / 1 pc. M 16 x 1.5	
Enclosure acc. to EN 60529		IP65 (IP67 optional)	
Cover material		Polycarbonate	
Gear case material		High quality aluminium die casting, powder-coated (60 µm thickness)	
Pillar material		Steel 1.4104	

## Dimensions



### PS Automation GmbH Gesellschaft für Antriebstechnik

Philipp-Krämer-Ring 13 • D-67098 Bad Dürkheim  
Tel.: +49 (0) 63 22-60 03-0 • Fax: +49 (0) 63 22-60 03-20  
info@ps-automation.com • www.ps-automation.com

Engineered and Made in Germany

