

# PSF-M

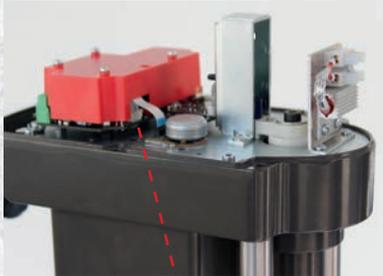
PS Automation   
Gesellschaft für Antriebstechnik

*We care for actuation.*

The linear actuator with brushless motor



Contactless, non-wearing travel detection with Hall sensor for exact positioning



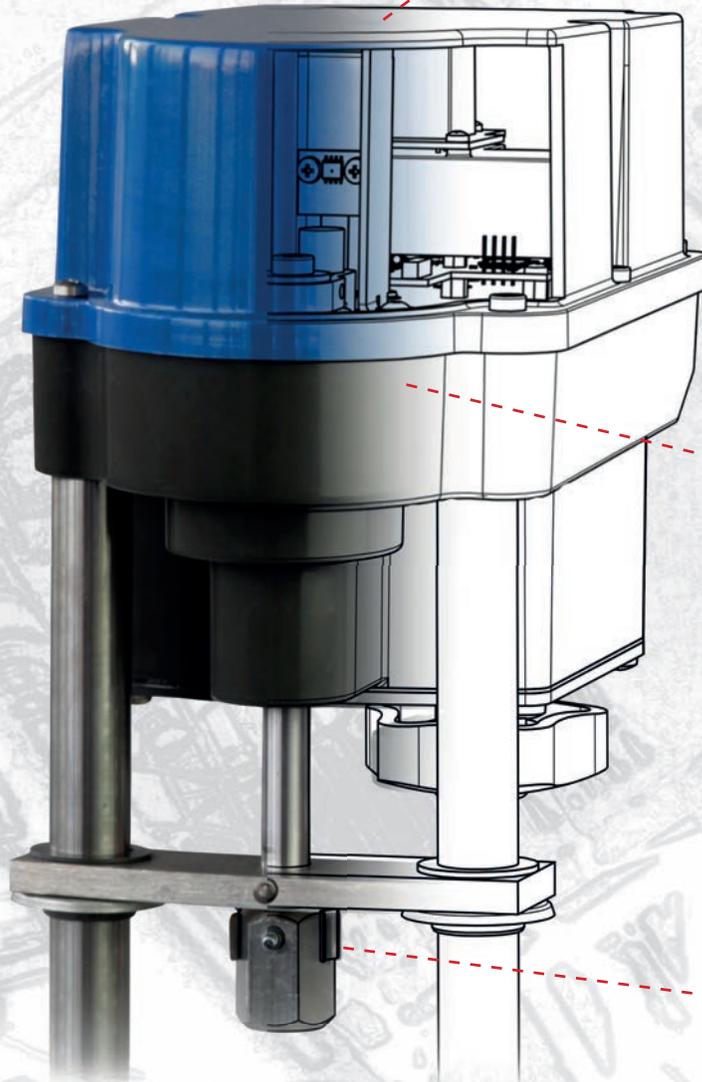
Brushless DC motor (BLDC). Controller with integrated positioner function. Status display and automatic commissioning



Manual operation with push buttons or handwheel. Parameter setting via DIP switches



Robust industrial design with polycarbonate cover, enclosure IP65 (IP67 optional)



Compact design with low installation height, durable aluminium gearbox

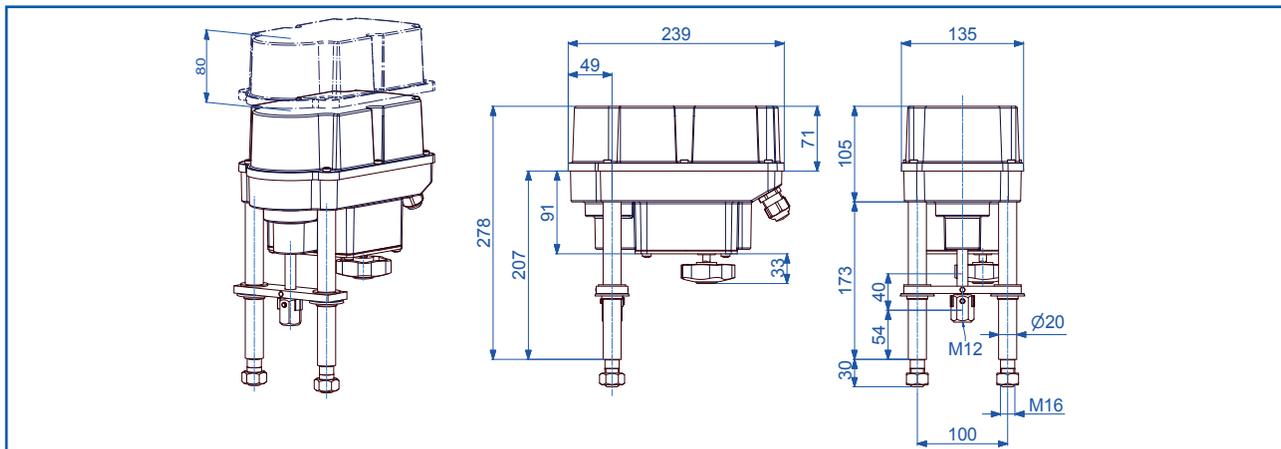
Easy valve mounting

# PSF-M

## Technical Data

		PSF-M401	PSF-M402
Thrust	kN	1	2
Stroke	mm	max. 40	
Pillar distance	mm	100	
Manual override		electrically via 2 push buttons or handwheel	
Weight approx.	kg	5	
Velocity	mm/s	0.6 / 0.9 / 1.2 adjustable	
Power Supply		24 VAC/DC, optionally wide range power supply (100 - 240 VAC)	
Motor protection		Electronic motor current monitoring with safety cut-off	
Duty cycle as per IEC 60034-1,8		S2 30 min / S4 1200c/h - 50% ED	
Permitted ambient temperature		-20 to +60°C	
Internal fault monitoring		Thrust, set value, temperature, power supply	
Binary control		24 - 230 VAC for ON/OFF service	
Set value and feedback		0-20 mA, 4-20 mA, 0-10 V, 2-10 V selectable	
Mounting Position		Any position, except cover pointing downwards	
Conduit entries		2 pcs. M 20 x 1.5 / 1 pc. M 16 x 1.5	
Enclosure acc. to EN 60529		IP65 (IP67 optional)	
Cover material		Polycarbonate	
Gear case material		High quality aluminium die casting, powder-coated (60 µm thickness)	
Pillar material		Steel 1.4104	

## Dimensions



**PS Automation GmbH**  
**Gesellschaft für Antriebstechnik**

Philipp-Krämer-Ring 13 • D-67098 Bad Dürkheim  
Tel.: +49 (0) 63 22-60 03-0 • Fax: +49 (0) 63 22-60 03-20  
info@ps-automation.com • www.ps-automation.com

**Engineered and Made in Germany**

